

395 →

335 →

336 →

385 →

380 →

370 →

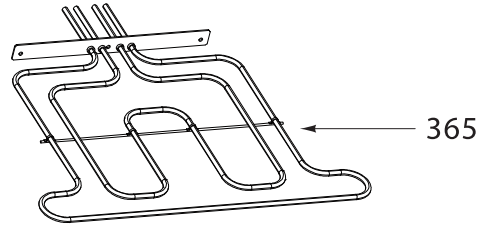
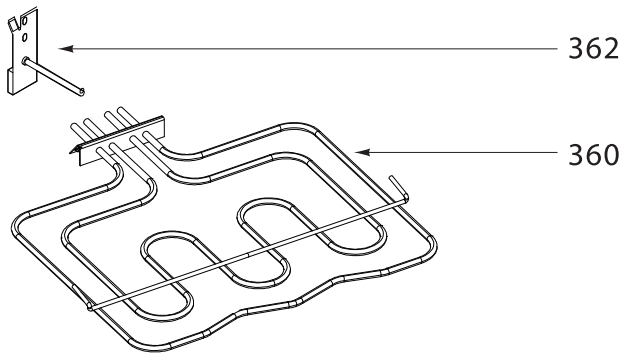
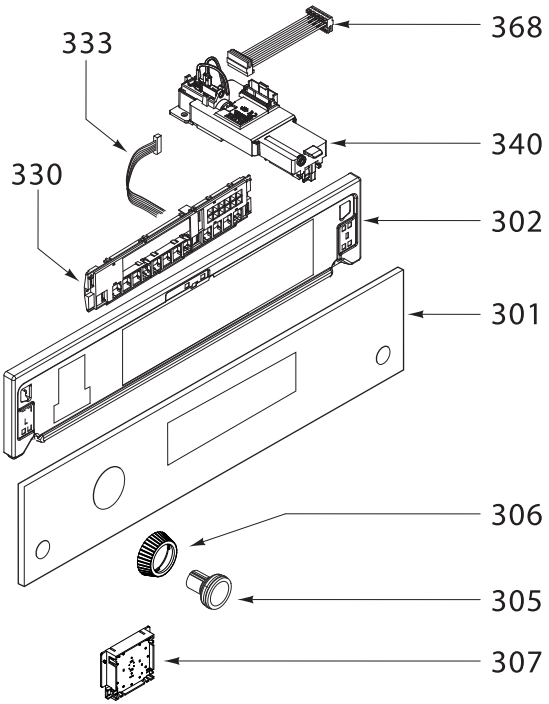
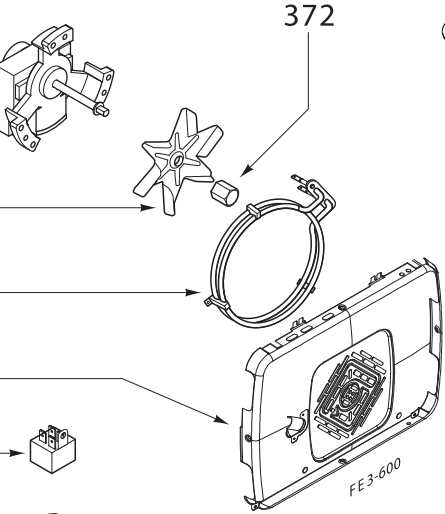
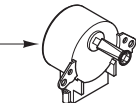
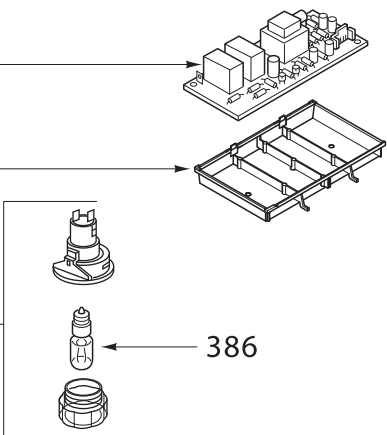
371 →

374 →

375 →

394 →

393 →



FE3-600

