

Dear Customer,

Thank you for choosing this quality product from ASKO.

We hope it will meet your expectations and fulfill your needs for many years to come. Scandinavian design combines clean lines, everyday functionality and high quality. These are key characteristics of all our products and the reason they are greatly appreciated throughout the world.

To get the most out of your new machine, we recommend that you read the operating instructions before using the machine. The operating instructions also include information on how you can help protect the environment.



## Operating Instructions

Washing Machine  
ASKO W6884W ECO



**WARNING:** Read the instructions before using the machine.

# Contents

<b>Before using your machine for the first time</b>	<b>4</b>	Economy and efficiency	10
Transport protection	4	Detergents	10
Packing material	4	Dyeing fabrics	10
Washer door	4	<b>Washing</b>	<b>11</b>
Language selection	4	Sort your laundry.	11
Checking water hardness	4	Turn on the main power switch	11
<b>Safety instructions</b>	<b>5</b>	Open the washer door and load the washing	11
General	5	Add detergent and fabric softener, as required	11
Installation	5	Select the programme	12
Overflow guard function	5	Select options	15
Transport/Winter storage	5	Close the washer door and press the Start button	17
Recycling	5	Once the program has finished	17
<b>Child safety</b>	<b>6</b>	<b>Settings</b>	<b>18</b>
Keep an eye on children!	6	You can change the following settings:	18
<b>Description of the washing machine</b>	<b>7</b>	Child-safe	18
<b>Dispenser</b>	<b>8</b>	Language	18
<b>Advice and tips before washing</b>	<b>9</b>	Temperature	18
Sorting your laundry	9	Extra rinses	18
Clothing	9	Hot water	18
Laundry labels	9	<b>Care and cleaning</b>	<b>19</b>
Laundry label symbols	9	Cleaning the trap and the drainage pump	19
Hot water connection	9	Cleaning the detergent compartment	19
Coloured cotton	9	Cleaning the outside of the machine	19
Wool	10	Cleaning the inside of the machine to avoid unpleasant smells	20
Rayon fibres and synthetic fibres	10	Rinse holes under the agitator	20
Reducing allergic reactions	10	If you have hard water	20
Save time and energy	10		
High water level	10		

# Contents

<b>Troubleshooting</b>	<b>21</b>
The washer door will not open	21
Opening the door in an emergency	21
The machine will not start	21
After power failure	21
Wet washing still in the machine	21
Error messages	22
Close the Door	22
Over flow fault	22
Water outlet fault	22
Water inlet fault	22
Wash motor fault	22
Unbalance	22
<b>Technical information</b>	<b>23</b>
Information for test institute	24
Energy labelling	24
Technical data	24
<b>Transport protection</b>	<b>25</b>
<b>Installation</b>	<b>26</b>
Positioning the washing machine	26
Adjusting the feet	26
Connection to water supply	26
Hot water connection	26
Drainage connection	27
Electrical installation	27
<b>Service</b>	<b>28</b>
Before contacting the service division	28
<b>Quick guide</b>	<b>32</b>

# Before using your machine for the first time

## Transport protection

Remove any transport protection devices before installing the machine. See the "Transport protection" chapter.

## Packing material

Please sort waste materials in accordance with local guidelines.

## Washer door

- The machine cannot be started when the door is open.
- To open the washer door while a programme is running, see "Close the door and press the Start button" in the "Washing" chapter.

## Language selection

You will be prompted to select the display language when you have connected your machine and start it for the first time. Do as follows:

1. Turn the programme selector to choose from:  
US English, AU English, Svenska, Dansk, Norsk, Suomi, Français, Deutsch, Italiano, Español, Русский, Nederlands, EU English.
2. Press Start once to save the setting.

## Checking water hardness

The quantity of detergent needed depends, amongst other things, on how hard the water is. See the detergent pack for details. Phone your local water company to check the water hardness in your area.

## NOTE!

Each machine is tested before leaving the factory. A small amount of water may remain in the drain pump, though this does not affect quality or damage the machine.

See Quick guide on the last page

# Safety instructions



## General

- Read the operating instructions and keep them in a safe place.
- Installation of water and electricity, if required, should be carried out by a qualified professional.
- The machine should only be used for washing items as described in these instructions. It is not intended for dry cleaning.
- Use only detergent intended for machine washing!
- Use only detergents and softeners for machine wash. Manufacturer may not assume responsibility for any damage and eventual discolouring of gaskets and plastic components as a consequence of incorrect use of bleach and/or colouring agents.
- Never use detergents containing solvents, since there is a danger of creating toxic gasses which may damage the machine and result in ignition or explosion.
- Remove any transport protection devices before using the machine. See the "Transport protection" chapter.
- Repairs and maintenance relating to safety or performance must be carried out by a qualified professional.
- Damaged mains cables must only be replaced by a qualified electrician.
- The machine is not designed to be used by persons (even children) that are physically or mentally handicapped or lack experience and knowledge. Such persons must receive instruction in how to use the machine from the person responsible for their safety.
- Children must be watched to ensure they do not play with the machine.
- In the enclosed plastic bag you will find a tool for opening the washer door in emergencies.

## Installation

See the "Installation" chapter.

## Overflow guard function

If the machine's water level rises above the normal level, the overflow guard function begins to pump water out and shuts off the water intake. If the water level has not dropped within 60 seconds, the program is terminated.

## Transport/Winter storage

If the machine is to be transported or stored in unheated premises where the temperature can fall below freezing, do as follows:

- Empty the filter and the drainage pump. See the "Care and cleaning" chapter.
- Shut off the water to the washing machine, loosen the supply hose to the intake valve and let the water run out from the valve and hose.
- After emptying the pump, a small amount of water may remain in the machine. This does not affect quality or damage the machine.

## Recycling

This machine is manufactured and labelled for recycling. In order to prevent injuries, the machine must be made unusable once the decision has been taken to dispose of it. Contact your local authority for information about where and how your machine can be recycled correctly.

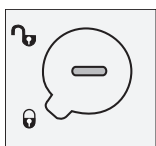
# Child safety

## Keep an eye on children!

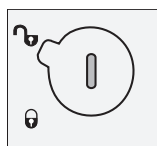
- Always close the washer door and start the programme immediately after you have added detergent.
- Do not allow small children to use or play with the washing machine.
- Store detergent and fabric softener out of the reach of children.
- You can activate the Child-safe start option to prevent children from starting the machine.

## Activate child safety catch (for detergent compartment)

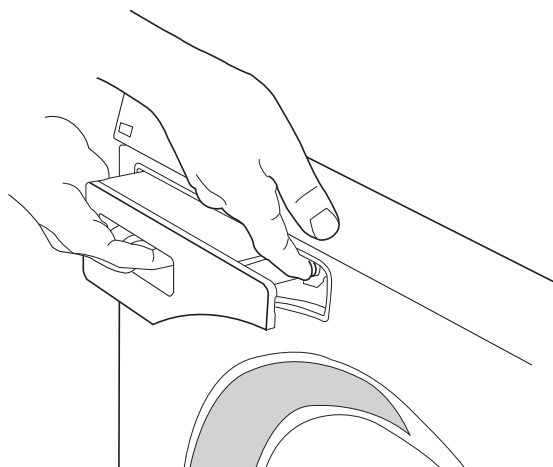
On the inside of the detergent compartment is a child safety catch.



Activated child safety catch



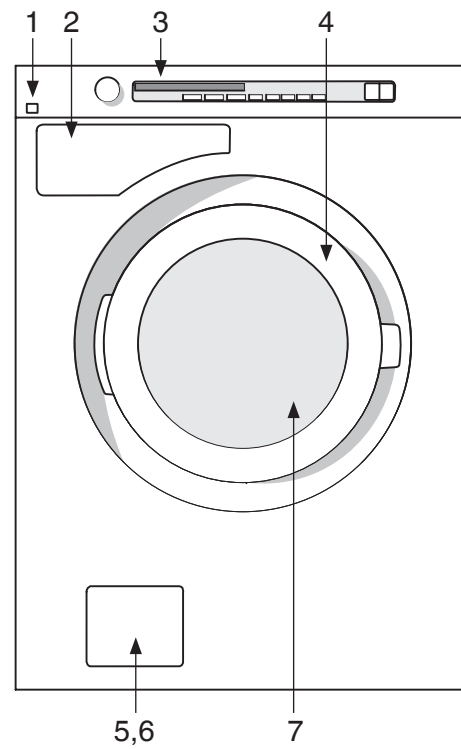
Inactivated child safety catch



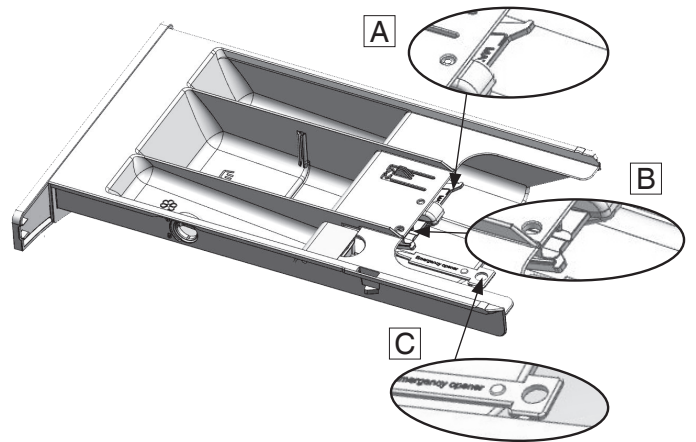
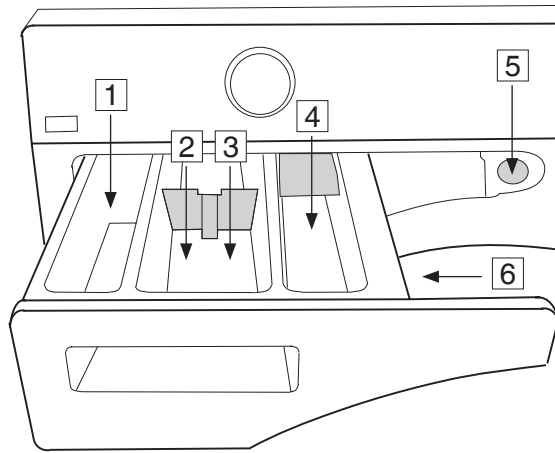
When the child safety catch is activated you must press the release button to pull out the detergent compartment.

# Description of the washing machine

1. Main power switch
2. Dispenser
3. Programme panel
4. Serial number plate (on inside of washer door)
5. Drainage pump cover
6. Drainage pump (behind cover)
7. Washer door



# Dispenser



1. Pre-wash



2. Main wash with liquid detergent.  
Use the separator (A).



3. Main wash with powder detergent.  
Do not use the separator.



4. Fabric softener



5. Release button

6. Child safety catch



# Advice and tips before washing

Here are some tips that may help you before washing.

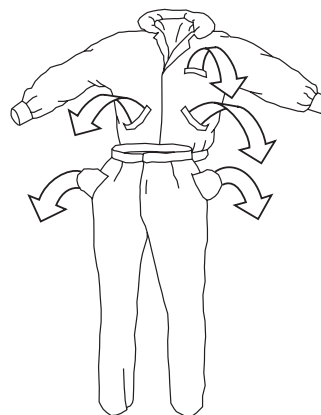
## Sorting your laundry

Sort items according to:

- how soiled they are
- colour
- material

## Clothing

1. Do up zips and close Velcro straps so that they don't harm fabrics.
2. New coloured items may contain excess dye and should therefore be washed separately the first few times.
3. Turn delicate items inside out. This reduces the risk of burling and fading.
4. Empty pockets and wash them inside out if possible.



## Laundry labels

Look at the item's laundry label. The table below shows suitable wash programmes for different materials and wash loads. Using modern washing machines and detergents, for example compact detergents, you can usually wash at lower temperatures. It is a good idea to use trial and error to find out what produces the best results.

## Laundry label symbols

Examples of washing instructions and recommended programmes. Always follow the washing instructions for each garment.

Laundry labels	Material	Program
	Cotton, linen, white and light-coloured items.	Everyday wash 60 °C to 90 °C
	Cotton, linen, cotton/polyester. Light and dark-coloured garments.	Quick 60 °C
	Acrylic, viscose, modal, acetate, polyester, polyamide and elastane. Light and dark-coloured garments.	Easy Care 40 °C
or	Wool, silk and other very delicate garments	Wool/hand wash 30 °C to 40 °C

## Hot water connection

Hot water intake has a positive effect on grease stains and certain pigment stains, such as oil, soot and coffee. Note however that difficult protein stains with albumen content (blood, milk, meat and fish) first need to be soaked in cold water as they are difficult to dissolve at temperatures above 40 °C. For the best washing results we recommend the Super wash option and pre-soaking the stained items in cold water before washing them in the machine.

## Coloured cotton

Coloured cotton items with the washing instruction 60 °C should be washed at 60 °C for the first time in order to remove any excess dye. If you do not do so, there is a risk that the colour will run. Use detergent without bleach in order to preserve the colour of the fabric.

## Unbleached linen

Unbleached linen fabrics should be washed at 60 °C, using detergent containing no bleach

# Advice and tips before washing

or optical whiteners. Heavily-soiled linen can occasionally be washed at higher temperatures, but not too often because the heat can destroy the linen's shine and strength.

## Wool

These fabrics are labelled either machine wash or hand wash. The Wool/hand wash programme is at least as gentle as washing by hand.

Wool is especially sensitive to processes such as washing.

If you do not wish to spin dry, you can squeeze out the water using terry towels. In this case select No spin.

To find out how to choose this setting, see the "Washing" chapter. However, most garments can withstand a short spin. Choose a short spin by selecting a spin speed of 800 rpm or less.

## Rayon fibres and synthetic fibres

Materials made of rayon fibres, such as viscose, and some synthetic fibres are very delicate and require much space so as not to crease. Only half fill the drum when washing and choose a spin speed of 800 rpm or lower.



### NOTE!

Viscose and acetates are fragile when wet.

## Reducing allergic reactions

The washing machine has a Super Rinse option. Use this for people with sensitive skin, such as those with allergies and small children.

## Save time and energy



Use the Everyday wash programme to save time and energy. This programme has a shorter main wash than Standard cotton  , but is often sufficient for lightly soiled washing.

## High water level

If you want more water for the main wash and rinses, you can use the High water level option. High water level is used automatically in the Wool/Hand programme.

## Economy and efficiency

You can save a lot of energy by not using higher temperature programs than necessary.

- Select Quick if you just need to freshen up shirts or exercise clothes, for example. This will save both water and energy.
- If you select a fast spin speed, this reduces energy consumption when drying in a tumble dryer or drying cabinet.
- Always wash with a full load when using the Heavy, Everyday wash and Standard cotton   programmes.
- Avoid pre-washing. Modern machines and detergents clean effectively without pre-washing. Pre-washing is only necessary for heavily soiled washing.

## Detergents

Eco-labelled detergents are less harmful to the environment. Detergent overdosing does not give better washing results; it merely causes a greater impact on the environment. Try to use less detergent, and increase only if you are not satisfied with the results.

## Dyeing fabrics

If you want to dye fabrics in the machine, select the Everyday wash programme with the Super Rinse option. Select temperature according to the dye manufacturer's recommendations. Choose a low spin speed if the fabric to be dyed is a blended material such as polyester/cotton.

### NOTE!

Add the dye directly to the washing drum – not to the detergent compartment. After dyeing, you should run the machine empty using the same program. Use the normal amount of detergent.

### NOTE!

Due to environmental concerns, we discourage the use of strong chemicals. When using agents for bleaching or stain removal, there is a risk of rust (corrosion) and discolouration of the machine.

# Washing

## 1 Sort your laundry.

See the "Advice and tips before washing" chapter.

Place underwired bras in a laundry net.

Empty pockets. Coins, nails and the like can cause damage to the machine and fabrics. See the "Advice and Tips" section before washing.

## 2 Turn on the main power switch

## 3 Open the washer door and load the washing

Open the door. Load the washing.

The wash programme chart shows how much washing can be washed with each programme.

## 4 Add detergent and fabric softener, as required

The detergent packaging will have recommendations for how much detergent you should use. The machine holds 8 kg of washing. If you only have a small amount of laundry in the machine, you can reduce the amount of detergent used.

Follow the manufacturers' recommendations as regards which type of detergent is suitable for which temperature.

### Powder detergent

Pour the powder into the compartment for the main wash, and pre-wash as well if desired.

### Liquid detergent

When using a liquid detergent, observe the detergent manufacturer's recommendations. We recommend using a laundry ball with thick detergents. In the main detergent compartment, use the section wall (A) – see figure in the section Dispenser. Add the detergent into the front compartment of the detergent dispenser.

### Wash ball or net


If you use a wash ball or net, place it directly in the drum and select a programme without pre-wash.

#### NOTE!

Detergent overdosing does not give better washing results; it merely causes a greater impact on the environment.

Try using less detergent, and increase only if you are not satisfied with the results.

### Fabric softener

Pour the fabric softener into the compartment with the  symbol. Follow the recommendations on the fabric softener packaging.

#### NOTE!

Do not fill above the compartment's maximum fill level. Otherwise fabric softener will run in too early, which impairs the washing effect.

# Washing

## 5 Select the programme

You select a programme by turning the programme selector. The selected programme is shown in the display. Now use the option buttons to select any options. See chapter "Select options".



### 1. Auto

This program automatically adjusts the length of the main wash and the number of rinses to the amount and type of laundry loaded in the machine.

### 2. Time program

This program adjusts itself to the specified time frame or finish time. When using this program, it is however important to select a temperature and time suited to how soiled the laundry is. The spin speed can be selected freely.

Specify the desired programme time by pressing + or - on the Time button. The symbol for the programme lights beside the selected time. You can choose a programme time between 30 minutes and 3 hours. If you choose a 30-minute programme time the maximum wash temperature will be 30 °C

### 3. Heavy

Programme for heavily soiled laundry, with dirt that needs to be fully dissolved before the main wash. A pre-wash is used to do this. The machine adapts the programme time and water consumption to the load size.

### 4. Standard cotton

Program for normally to heavily soiled laundry, whites and colors. You can select the temperature freely, so follow the washing instructions for each garment. 60°C is a good temperature for heavily soiled cotton garments, as well as for garments worn next to the skin. Select 40°C if the laundry is less soiled. The spin speed can be selected freely. The machine adapts the program time and water consumption to the load size.

### 5. Everyday wash

A standard programme for lightly to moderately soiled laundry. The temperature can be selected freely, so follow the washing instructions for each garment. Garments worn next to the skin ought to be washed at 60°C. Very lightly soiled laundry often comes clean already at 40°C. The spin speed can be selected freely.

### 6. Quick

Fast program for laundry that just needs freshening up. The program can be run at any temperature, so follow the washing instructions for each garment. The lower the selected temperature, the shorter the program time. Garments worn next to the skin ought to be washed at 60°C. The spin speed can be selected freely.

### 7. Easy Care

Programme for synthetic, mixed fibre and easy care cotton. The programme has a high water level and as such is also suitable for cushions, quilted jackets and the like. Read the washing instructions carefully and remember, for example, that fabric softener must not be used with the membranes found in some outer garments. A washing temperature up to 60°C and a spin speed up to 1200 rpm can be selected.

# Washing

## **8. Synthetics**

Programme for delicate garments made of synthetic fibre, mixed fibre, rayon and easy care cotton. The maximum temperature is 60°C, but follow the washing instructions for each garment. Many synthetics will come clean at 40°C. Garments worn next to the skin ought to be washed at 60°C. The maximum spin speed is 800 rpm.

## **9. Wool/hand wash**

A gentle laundry programme for wool, silk and garments that should be washed by hand. The highest temperature is 30 °C. This programme has a short spin. The maximum spin speed is 800 rpm.

## **10. Rinse**

This program performs one cold rinse cycle + spin. Suitable for laundry that just needs to be dampened and for cleaning cloths and mops.

## **11. Spin**



Used to just spin the wash.

## **12. Drain**

Used when you only want to drain the water from the machine.

# Washing

## Programme chart

Program	Prewash	Temp. °C	Number of Rinses	Spin Speed rpm	Remaining moisture content [%]	Max. load (kg)	Water consumption (approx. liter)	Energy consumption (approx. kWh)	Programme time (approx. hrs and min.)
1. Auto									
2. Time program									
3. Heavy	X	90	5	1800		8	85	2,2	2:45
	X	60	5	1800		8	75	1,1	2:40
4. Standard cotton  		60 <sup>2)</sup>	3	1800	43	8/4*	55	1,10/0,83*	2:50/2:20*
		40 <sup>2)</sup>	3	1800	43	8/4*	55	0,67/0,48*	2:40/2:10*
5. Everyday wash		60	3	1800		8	60	1,2	1:40
6. Quick		40 <sup>1)</sup>	2	1800		8	25	0,45	0:45
7. Easy Care		40 <sup>3)</sup>	2	1200		4	50	0,5	1:20
8. Synthetics		40	3	800		4	30	0,4	1:20
9. Wool/hand wash		30	3	800		2,5	70	0,5	0:50
10. Rinse			1	1800		4	15	0,1	0:20
11. Spin				1800		4		0,1	1:15
12. Drain									0:01

\* half load

- 1) Short programme for test institutes, max. 1/2 load.
- 2) Test programme for cold water connection in accordance with EN 60456. For large volumes of detergent we recommend removing the insert and adding detergent directly to the detergent compartment.
- 3) 40 °C programme for test institutes. The 40 °C option must be selected.

The above table presents a few examples of the energy, water and time consumption of a few different programme settings. Consumption can vary depending on water pressure, water hardness, water supply temperature, room temperature, load weight and content, variations in the power supply and selected options. In the examples provided here the rinse setting is set to Normal and no options are selected. If you use large amounts of detergent, such as non-compact powder, and find that the amount you want to use does not fit in the compartment, you can remove the insert and dose directly in the compartment. We recommend that all test institutes remove the insert for large volumes of detergent.

# Washing



## 6 Select options

You can select options to adjust the wash programme to suit your own specific requirements. The available options depend on the selected programme. If the option is available for the selected programme, the symbols lights up when you press the button. The machine will remember the options you select for each programme (with one exception – Delayed Start). You can still change the selected options the next time you select the programme in question.



### Temperature

- Select the temperature by pressing the +/- buttons until the desired temperature is displayed.
- You can select temperatures between Cold (-) and 90 °C. If you select Cold, the washing temperature will be the same as that of the water entering the machine. For Wool/hand wash you cannot choose a temperature higher than 40 °C. For Time program and Easy Care the maximum temperature is 60 °C.



### Spin

- Select the spin speed by pressing the +/- buttons until the desired spin speed is displayed.
- You can select speeds between 400 and 1800 rpm, 0 (no spin) or No D(no drain). The maximum spin speed varies according to the programme selected. The speed is shown in the display.
- 0 (no spin) , means that the programme does not include a spin cycle and ends by draining.

- No D, No drain means that the programme does not include a spin cycle and ends with the water from the final rinse still in the machine. The washing will remain covered by the water from the final rinse, stopping it from getting creased. If you have selected "No drain", once the programme has ended you must select the Spin or Drain programme to drain the water from the machine before you open the washer door.



### Delayed start

When you select Delayed Start, the machine will start 1-24 hours after you press the Start button. This option cannot be used with Time program.

- Select Delayed Start by pressing the + button under the time display. Delayed Start is shown for three seconds.
- By pressing the + and - buttons under the time display you can delay the start in whole hours up to a maximum of 24 hours. The symbol for Delayed Start lights up beside the number of hours.
- Press Start, and the machine counts down 1 hour at a time and starts after the selected delay.

If you change your mind and want to cancel Delayed Start, you must press and hold Start for three seconds.

### NOTE!

Remember to press the Start button to start the programme.

# Washing

## NOTE!

Make sure the detergent compartment is completely dry before you add detergent, otherwise there is a risk that the detergent will clump before the machine starts.

### **Super rinse**

Use the Super Rinse option if you want to increase the number of rinses. The maximum number of rinses is seven, and the number of rinses varies depending on the selected programme. Recommended for persons with extremely sensitive skin and/or in areas with very soft water.

- Select Super Rinse by pressing the button under the symbol.
- The symbol above the button lights when this option is activated.

### **High water level**

Use High water level if a garment's laundry label shows this symbol. High water level means that additional water is used during the main wash and rinse cycles.

- Select High water level by pressing the button under the symbol.
- The symbol above the button lights when this option is activated.

## NOTE!

The machine takes in the additional water for the high water level about 15 minutes after the main wash has started.

### **Anti crease**

Anti crease means that the drum will rotate for three seconds per minute for two hours once the wash programme has finished. This feature prevents the garments from lying in the same position and getting creased if you are unable to remove them immediately.

- Select Anti crease by pressing the button under the symbol.
- The symbol above the button lights when this option is activated.

### **Super wash**

Super wash can be selected to better dissolve difficult stains and heavy soiling on clothing. This option adds a cold pre-wash and the wash time in cold water is extended by approximately six minutes. The main wash time is also extended.

- Select Super wash by pressing the button under the symbol.
- The symbol above the button lights when this option is activated.

### **Pre-soak**

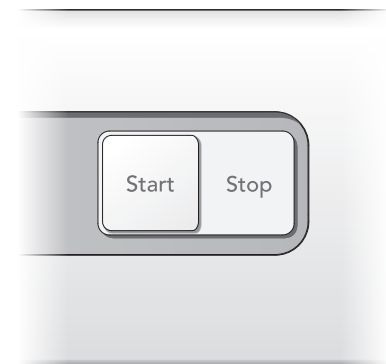
If the washing is stained with blood, for example, we recommend a presoak. The washing will soak in cold water for two hours before the wash programme starts.

- Select Presoak by pressing the button under the symbol.
- The symbol above the button lights when this option is activated.



# Washing

## 7 Close the washer door and press the Start button



### NOTE!

A few seconds after you start a programme the washing machine will begin to fill with water from both the hot and the cold supplies. If for some reason no hot water is available, the machine waits for one minute and then fills with cold water only. The wash drum does not start to rotate until it begins to fill with water.

### Time remaining

The time remaining is shown in hours and minutes. Once a programme is selected, the estimated programme time is displayed. This may differ from time to time depending on the temperature of the water entering the machine and the size of the load. If the programme time is longer than the previous wash with the same programme, "0:01" will be displayed until the programme finishes. This is normal! The next time you use the programme under similar conditions, the estimated programme time will be more accurate.

### Stopping or changing a programme

You can stop a programme by pressing the Stop button for three seconds. "Stop" appears in the display. To restart the machine, select a new programme, add any extra detergent needed and press the Start button.

### NOTE!

Do not open the detergent compartment while the machine is running.

## 8 Once the program has finished

The text "Done" is shown on the display for 2 minutes. The machine then turns off.

Once the program is finished, the washer door will automatically unlock.

- Open the door and remove the laundry.

If you have small children or pets at home, close the washer door once you have removed the laundry.

### NOTE!

Upon completion of the washing cycle, close the water faucet and unplug the mains cord.

# Settings

## You can change the following settings:

- Child-safe
- Language
- Temperature
- Extra rinses
- Hot water

How to choose the settings:

1. Turn off the machine using the main power switch.
2. Press and hold the Stop button and then press the main power switch. Then press the Stop button 5 times within 10 seconds.
3. Select the setting you want to change by turning the programme selector.
4. Press the Stop button once to select the setting.
5. Change and save the setting as described below.
6. Press Start to go to the programme menu.

### Child-safe

You can activate the Child-safe start option to prevent children from starting the machine.

1. Turn the programme selector and choose "Child-safe On" or "Child-safe Off".
2. Press the Stop button once to save the setting.

You can temporarily deactivate Child-safe start by pressing the Super Rinse button and the minus button under Delayed Start at the same time. Child-safe start will be deactivated for three minutes.



### Language

1. Turn the programme selector to choose from: US English, AU English, Svenska, Dansk, Norsk, Suomi, Français, Deutsch, Italiano, Español, Русский, Nederlands, EU English.
2. Press the Stop button once to save the setting.

### Temperature

1. Turn the programme selector to choose between: °C and °F.
2. Press the Stop button once to save the setting.

### Extra rinses

Upon delivery, your washing machine is set to use three rinses in the Standard cotton   and Everyday wash programmes. If you want to increase the number of rinses to five for these programmes, do as follows:

1. Turn the programme selector and select "Rinses On" for five rinses or "Rinses Off" for three rinses.
2. Press the Stop button once to save the setting.

### Hot water

However, if you choose to connect your ECO-machine to only the cold water it is important that you shut off the hot water connection. Now select "Hot water Off". If your machine is connected to both hot and cold water, you should select "Hot water On".

1. Turn the programme selector. Select "Hot water Off" for a cold water connection or "Hot water On" if the machine is connected to both hot and cold water.
2. Press the Door opening button once to save the setting.

# Care and cleaning

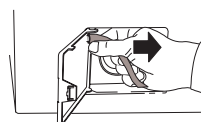
## Cleaning the trap and the drainage pump

The washing machine has a trap where smaller objects such as coins and hairpins can collect. To clean the trap and the drainage pump, do as follows:

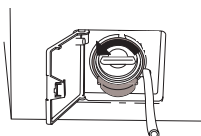
1. Make sure the machine is empty of water and switched off at the mains.



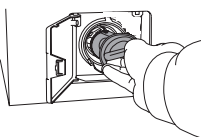
2. Open the door.



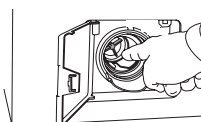
3. Unhook the drainage hose from the connector inside the door and drain the water into a suitable container, such as a shallow bowl.



4. Turn the cover anti-clockwise to open the pump. Remove the cover.



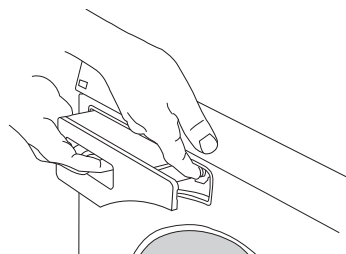
5. Remove any items and so forth from the pump housing and the cover. Also check that the pump blades right at the back rotate.



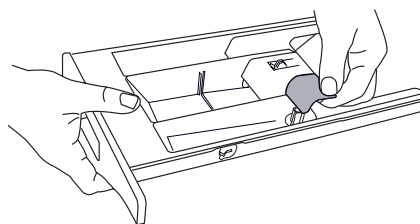
6. Screw on the cover, replace the drainage hose on the hatch pin and close the hatch.

## Cleaning the detergent compartment

Pull out the detergent compartment using the release button.



Rinse the compartment and scrub it clean. The cover in the fabric softener compartment can be removed.



### NOTE!

Do not run the detergent compartment through a dishwasher!

## Cleaning the outside of the machine

Clean the outside of the machine and the program panel with a mild cleaner. Do not use any solvents, as these can damage the machine.

### NOTE!

Do not hose down the machine with water!

# Care and cleaning

## Cleaning the inside of the machine to avoid unpleasant smells

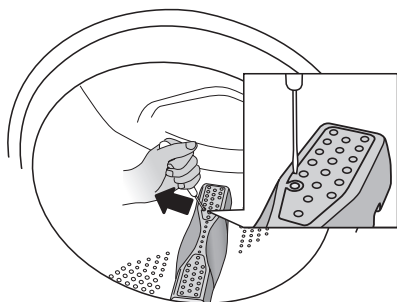
Modern detergents often allow clothes to be washed at low temperatures. This means that small deposits can build up in the machine. These, in turn, may lead to unpleasant smells developing. To avoid this, we recommend running a 90 °C wash programme once a month. When you do this, use a small quantity of detergent. It is not necessary to put any washing in the machine.

## Rinse holes under the agitator

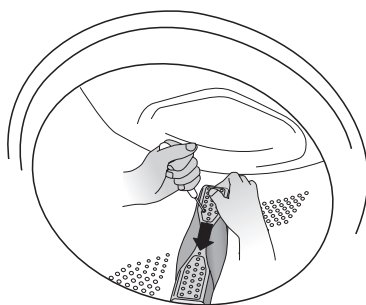
If you suspect that objects such as nails or paper clips may have fallen into the wash drum, you should check the space under the agitator. Such objects can rust and cause spots on clothing. Nails and other sharp objects can cause holes in fabrics.

### Do as follows:

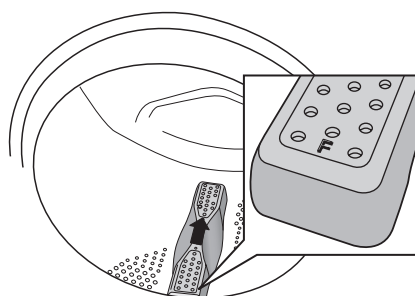
1. Insert a screwdriver or the like into the hole on the agitator as illustrated and carefully pry to the left.



2. Use your other hand to grasp the agitator and pull it towards you.



3. Lift the agitator.
4. Remove any objects.
5. Place the agitator in the mounting hole with the F-mark towards you. Ensure that all the agitator fasteners are in their holes in the drum. Push it in until it catches.



## If you have hard water

If you live in an area with hard water (high limescale content), a greyish-white coating may form on the wash drum. To remove this coating, pour approximately 20 gram of citric acid into the wash drum and run any 90 °C programme. Repeat if necessary.

# Troubleshooting

## The washer door will not open

- Check that the main power switch is on.
- Has the power supply been cut off? Check the house fuses (circuit breakers).

## Opening the door in an emergency

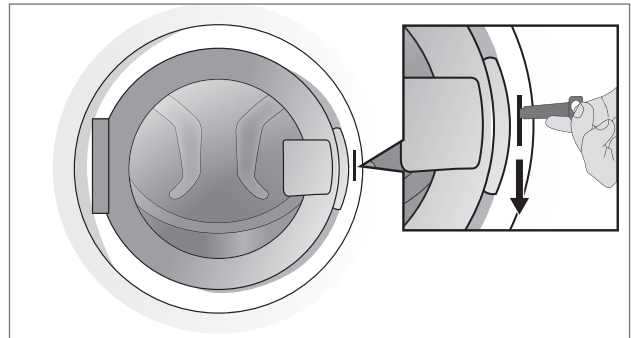
### WARNING!



The door may only be opened manually if the electric power is cut and the machine has been drained of water.

- A Run the Drain program to empty the water from the machine. If this does not work the machine must be drained manually. See “Cleaning the trap and the drainage pump” in the “Care and cleaning” chapter.
- B Ensure that the main power switch is turned off and that the plug has been removed from the wall socket.
- C Take the emergency door opening key (C) (see figure in the section Dispenser) and insert it into the slot on the right-hand side of the washing machine door latch. The key is attached on the back wall of the detergent dispenser. Remove the detergent dispenser from the washing machine and take the door opening key.

- D Push the tool downwards to open the washing machine door.



After use, store the emergency door opening key (C) in the dedicated compartment (B) (see image in the section Dispenser).

If in the future the washer door does not open when the wash programme has finished, call the service division.

## The machine will not start

1. Is the washing machine door properly closed? Push it firmly. Then press the Start button.
2. Is there power? Check the fuses and residual current devices (circuit breakers) in the building.
3. Check that you have not selected Delayed start. To cancel Delayed start, press the Stop button for three seconds.

## After power failure

Press the main power switch to resume the current program.

## Wet washing still in the machine

A small load can occasionally cause an imbalance Unbalance (see “Unbalance”). Rearrange the load and start the spin programme, or load more washing and restart the washing programme.

# Troubleshooting

## Error messages

If an error occurs during the program a message is shown on the display. To exit the message after taking measures, turn the machine off and then back on.

The error messages that may be shown in the display are:

### Close the Door

Close the washer door and press Start to start the programme.

### Over flow fault

1. Shut off the water tap.
2. See "Drainage error".

### Water outlet fault

#### Check:

- that no objects are stuck in the drainage hose outlet.
- that the drainage pump is not blocked by foreign objects. Clean the pump. See the "Care and cleaning" chapter.
- that there are no kinks in the drainage hose.

After the above, run Drain to empty the machine. If this does not resolve the problem, call the service division.

### Water inlet fault

#### Check:

- that the tap on the water pipe is open.
- that the filter in the machine's water intake is not blocked.

#### Action:

1. Shut off the water tap and unscrew the hose.
2. Clean the filter in the inlet valve on the machine.
3. Screw the hose back on and turn on the tap.
4. Run the program again to check if the fault is fixed.
5. If this does not resolve the problem, call the service division.

### Wash motor fault

Call the service division!

### Unbalance


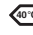
The machine stops the spin cycle if there is too much imbalance. The washing machine restarts the spin cycle and hopefully the washing is better distributed in the drum. This procedure can be repeated up to 10 times. If the machine still fails to find a good balance, the programme jumps to the next step. The error message requires no action.


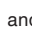



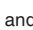
# Technical information

## Information on energy labelling

Information sheet, in compliance with Commission Delegated Regulation (EU) No. 1061/2010



### Asko

Model designation:	W6884W ECO
Max. washing capacity:	8 kg
Energy efficiency class:	A+++
Annual energy consumption ( $AE_C$ ):	190 kWh per year <sup>1)</sup>
Energy consumption	
Standard cotton 60 °C with full load ( $E_{t,60}$ ):	1,10 kWh
Standard cotton 60 °C with half load ( $E_{t,60\frac{1}{2}}$ ):	0,83 kWh
Standard cotton 40 °C with half load ( $E_{t,40\frac{1}{2}}$ ):	0,48 kWh
Power consumption	
Off-mode ( $P_o$ ):	0,40 W
Left-on mode ( $P_l$ ):	0,50 W
Annual water consumption ( $AW_C$ ):	10340 litres per year <sup>2)</sup>
Spin-drying efficiency class:	A <sup>3)</sup>
Maximum spin speed:	1800 rpm
Remaining moisture content:	43 %
Washing program:	Standard cotton <sup>4)</sup>  
Programme time	
Standard cotton 60 °C with full load ( $T_{t,60}$ ):	170 minutes
Standard cotton 60 °C with half load ( $T_{t,60\frac{1}{2}}$ ):	140 minutes
Standard cotton 40 °C with half load ( $T_{t,40\frac{1}{2}}$ ):	130 minutes
Noise emissions:	
Wash phase:	46 dB(A) re 1 pW
Spin phase:	72 dB(A) re 1 pW

- 1) Based on 220 standard cleaning cycles for Standard cotton  and  full and half load, and consumption in accordance with the low power modes. The actual energy consumption will depend on how the machine is used.
- 2) Based on 220 standard cleaning cycles for Standard cotton  and  full and half load. The actual water consumption will depend on how the machine is used.
- 3) Spin-drying efficiency class on a scale from G (least efficient) to A (most efficient).
- 4) Standard cotton  and  are the standard wash programmes used to compile the information for energy labelling. These programmes are intended for washing normally soiled cotton textiles and are the most effective programmes in terms of combined energy and water consumption. The actual water temperature may deviate from the specified cycle temperature.

# Technical information

## Information for test institute



Program	Max. load	Temp. °C
Auto <sup>1)</sup>	1/2	
Standard cotton <sup>2)</sup>	1/1	 
Easy care <sup>3)</sup>	1/2	40

1) Short programme for test institutes, max. 1/2 load.

2) Test programme for cold water connection in accordance with EN 60456. For large volumes of detergent we recommend removing the insert and adding detergent directly to the detergent compartment.

3) 40 °C programme for test institutes. The 40 °C option must be selected.

## Energy labelling

European test standard:	EN 60456
Washing program:	Standard cotton   , 8 kg cotton
Connection:	Cold water 15 °C
Test method for noise measurement:	IEC-60704-2-4

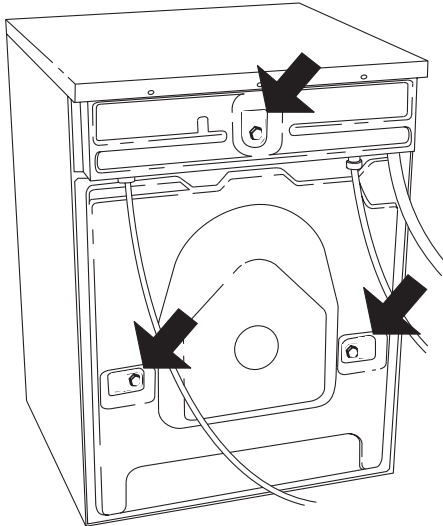
## Technical data

Height:	850 mm
Width:	595 mm
Depth:	585 mm
Weight:	76 kg
Cylinder volume:	60 l
Rated power:	See type plate.
Heater output:	See type plate.
Water pressure:	0,1-1 MPa 1-10 kPa/cm <sup>2</sup> 10-100 N/cm <sup>2</sup>
Wash drum and liquid compartment material:	Stainless steel
Outer casing material:	Powder-coated and hot-galvanized sheet steel or stainless steel.
Water connection:	1,5 m pex pipe
Drain:	1,7 m polypropylene hose

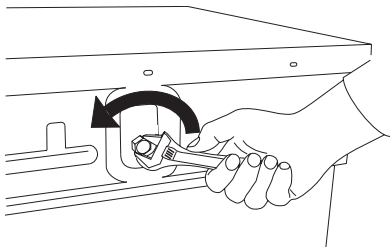


# Transport protection

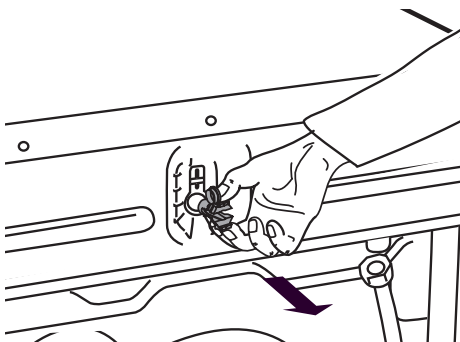
Remove the three transport bolts and the plastic plugs for locking the machine for transport before using the machine.



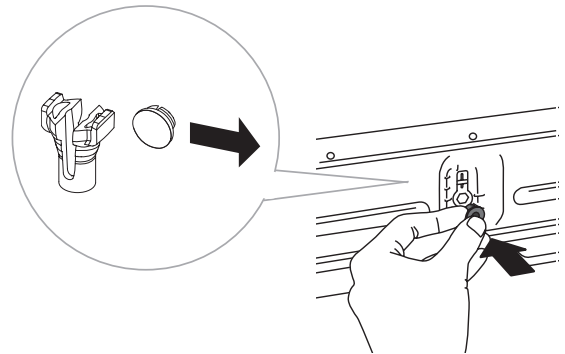
1. Loosen and remove the bolts as illustrated below.



2. To remove the plastic plugs that held the bolts, squeeze together and pull out.



3. Remove the plastic covers from the plugs. Push the plastic covers into the three holes that contained the plugs. Save the plastic plugs in case the machine is moved in the future.



## NOTE!

If the machine is to be transported, the bolts and plastic plugs for locking the machine during transport must be installed to prevent damage to the machine through shaking. If the transport bolts or plastic plugs have been lost, you can order new ones from your retailer.

Article number	Designation
80 882 77	Screw
80 901 05	Plastic plug, transport lock

Order three of each item!

# Installation

## Positioning the washing machine

The washing machine can be installed as a built-in or freestanding unit. Position the machine so that the electrical plug is easily accessible.

### A. Built-in

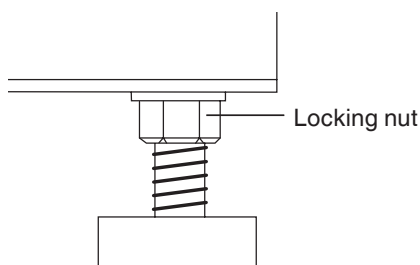
The washing machine can be installed under a counter top with a working height of 850-900 mm. Leave a 5 cm space around the entire machine, including between the rear edge of the top cover and the wall behind it.

### B. Freestanding

The washing machine can be positioned beside or under a tumble dryer.

## Adjusting the feet

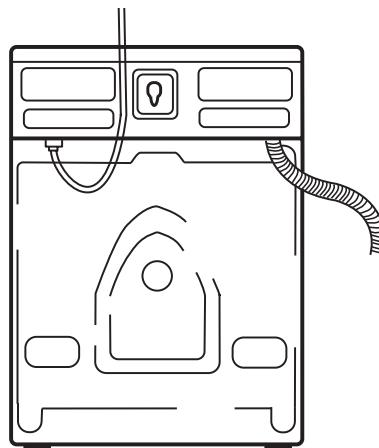
Keep the noise that the machine produces to a minimum by adjusting the feet so that the machine is steady and balanced on the floor. Tighten the lock nuts.



## Connection to water supply

Water connection should be carried out by an appropriately qualified person. Connect the machine using the accompanying supply hose. Water pressure should be 0.1–1MPa (approx. 1–10kp/cm<sup>2</sup> ; 10–100N/cm<sup>2</sup>). There should be a stopcock on the water pipe.

If the pipes are newly installed, it may be wise to flush them through so that any dirt is washed away. Otherwise, dirt can clog the filter in the machine's water intake and cut off the water supply.



Use only the supply hose supplied with the machine. Do not re-use old hoses or other loose supply hoses.

## Hot water connection

A few seconds after you start a programme the washing machine will begin to fill with water from both the hot and the cold supplies. If for some reason no hot water is available, the machine waits for one minute and then fills with cold water only. The wash drum does not start to rotate until it begins to fill with water.

If you choose to connect your ECO-machine to only the cold water it is important that you shut off the hot water connection. Now select "Hot water Off". If your machine is connected to both hot and cold water, you should select "Hot water On".

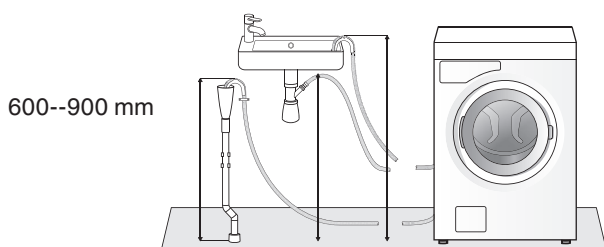
If the appliance is not connected to the hot water line, then deactivate the function in the User Menu (See chapter Settings).

# Installation

## Drainage connection

The machine is supplied with a drainage hose attached, which must be connected to a drain. See the examples below. The height must be 600-900 mm above floor level.

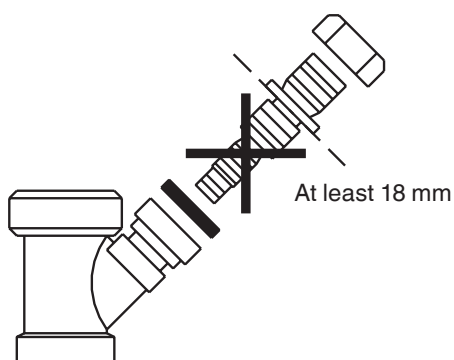
The lower position (600 mm) is always preferable. Ensure that the drainage hose has no kinks.



The machine can also be connected to the drain via a spigot connection. In this case the hose should also be 600-900 mm above the floor. The internal diameter of the hole should be at least 18 mm.

- Cut the nipple
- Remove burrs from the hole.

See the illustration.



## Electrical installation

Connect the machine by plugging it into an earthed wall socket. The electrical wall socket must be placed outside of the installation area to be easily accessible.

## Connection on delivery

The machine is supplied as 1-Phase, 220-230 V, 50-60 Hz, heat output 2000 W and has a 10 A plug. Any residual current devices must be type A.

### NOTE!

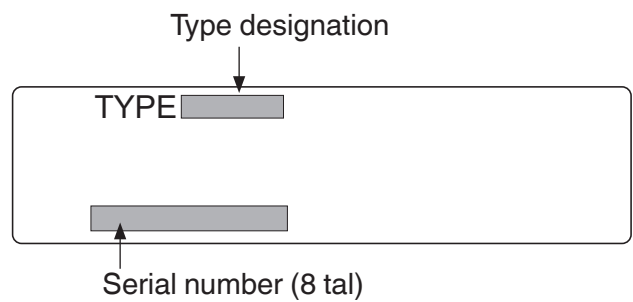
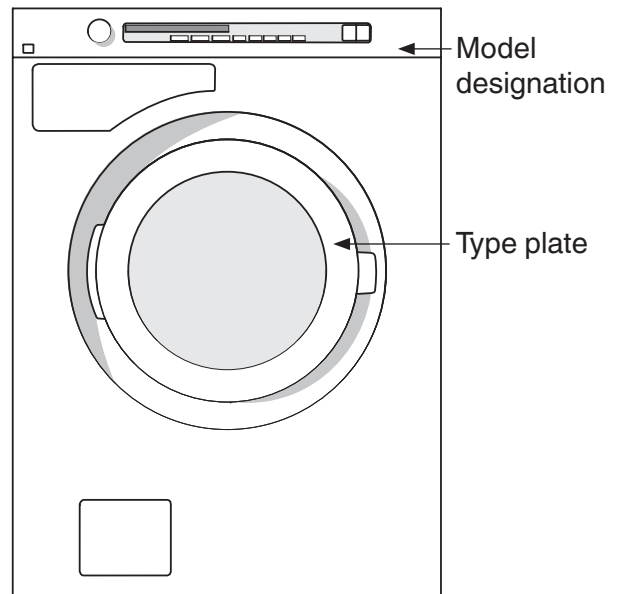
Repairs and maintenance relating to safety or performance must be carried out by a qualified professional.

# Service

## Before contacting the service division

Before you contact the service division, make sure that you know the model designation, type designation and serial number.

The model designation can be found on the panel. The type designation and serial number can be found on the type plate on the inside of the washer door.

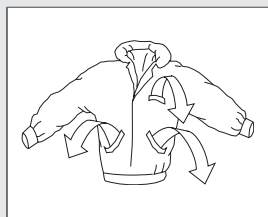


## Your notes

## Your notes

## Your notes

## QUICK GUIDE



1.

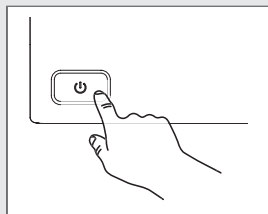
### SORT THE WASHING, OPEN THE WASHING MACHINE DOOR AND LOAD THE WASHING

Close zips.

Look at the item's laundry label.

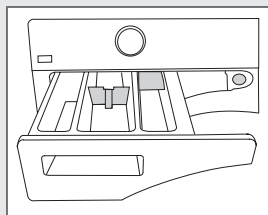
Sort the washing according to how soiled it is, colour and material.

NB! Place underwire bras in a laundry net.



2.

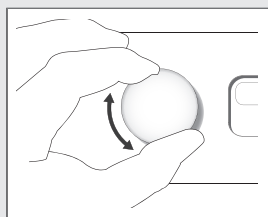
### TURN ON THE MAIN POWER SWITCH



3.

### ADD DETERGENT AND FABRIC SOFTENER, AS REQUIRED

The detergent packaging will have recommendations for how much detergent you should use. With only a small amount of washing in the machine, you can reduce the amount of detergent used.

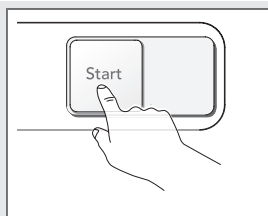


4.

### SELECT A PROGRAMME

You select a programme by turning the programme selector.

The selected programme is shown in the display.



5.

### CLOSE THE WASHER DOOR AND PRESS THE START BUTTON

The time remaining is shown in hours and minutes.

We reserve the right to make changes.

# ASKO

Swedish quality since 1950

Gorenje d.d., Partizanska 12, 3320 Velenje, Slovenija

[www.asko.com](http://www.asko.com)

CE WM70.2  
W6884WECO



510630



en (01-15)