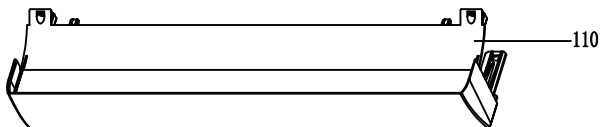
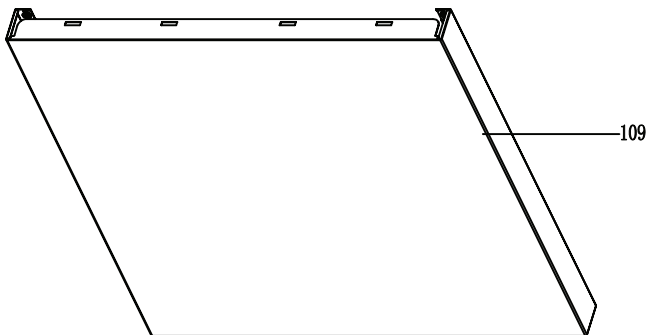
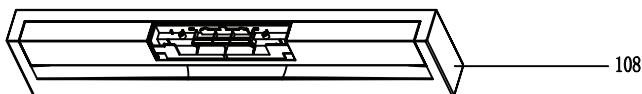
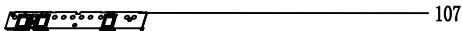
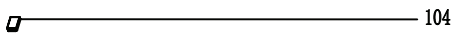
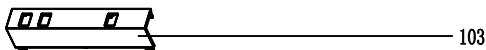
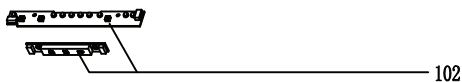
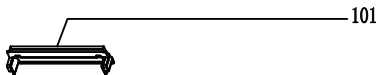
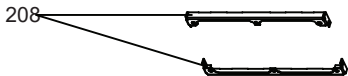
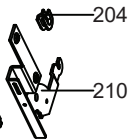
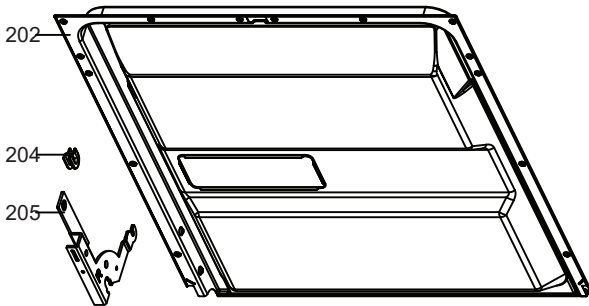
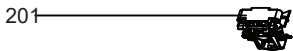


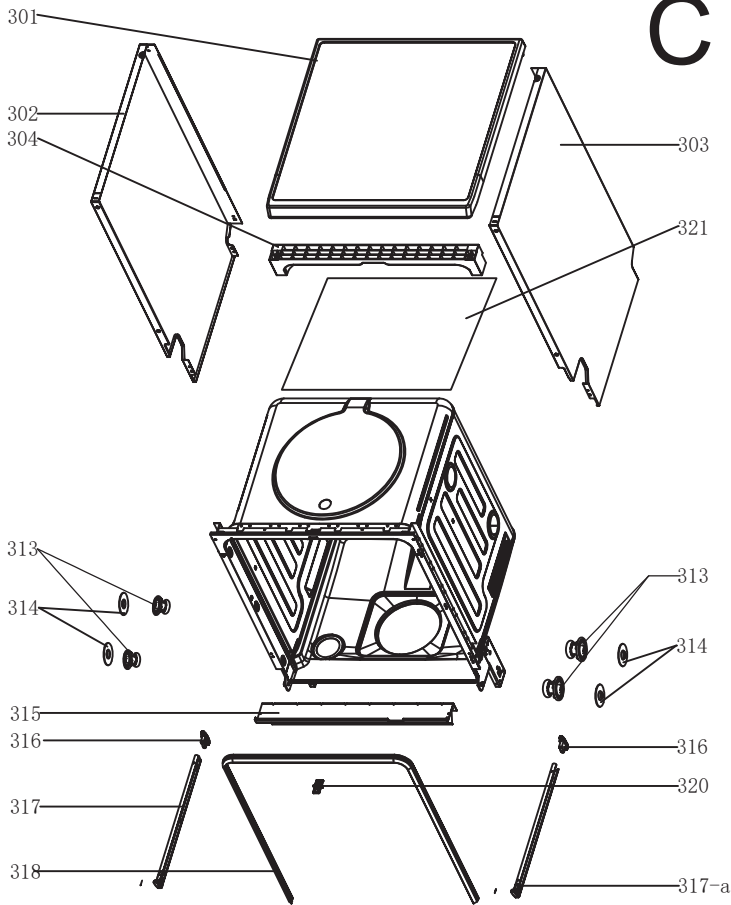
A



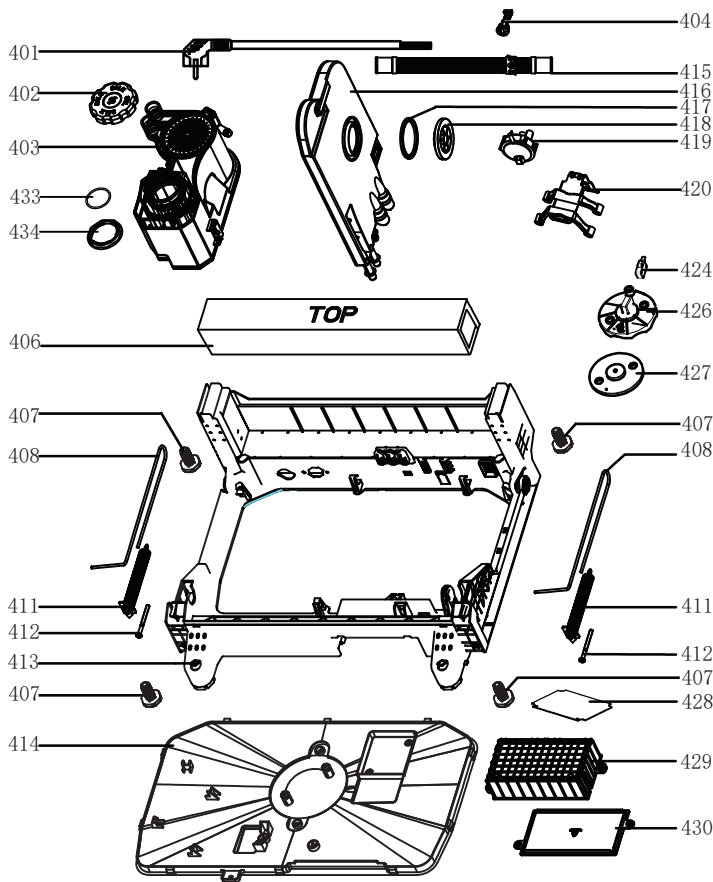
B



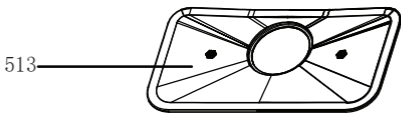
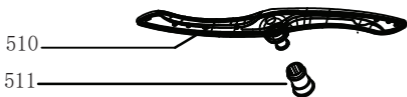
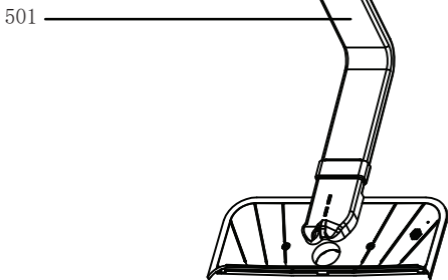
C



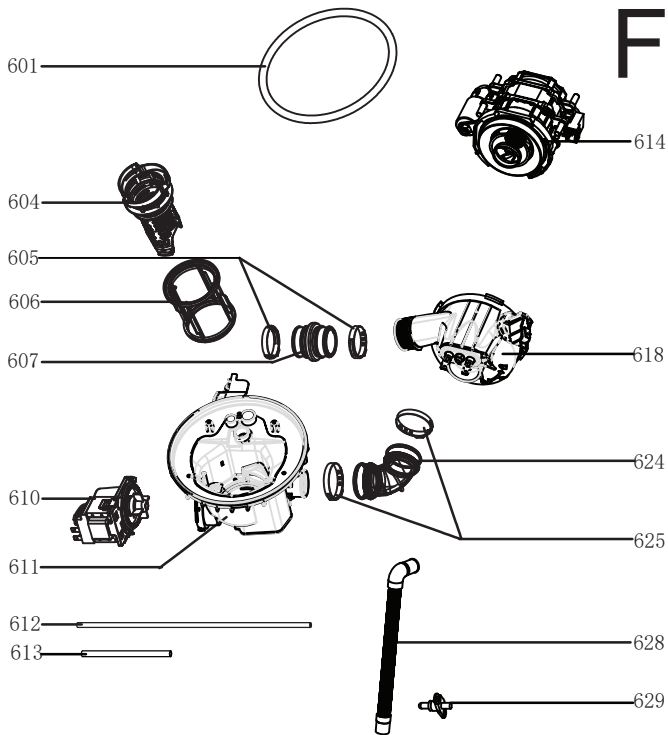
D



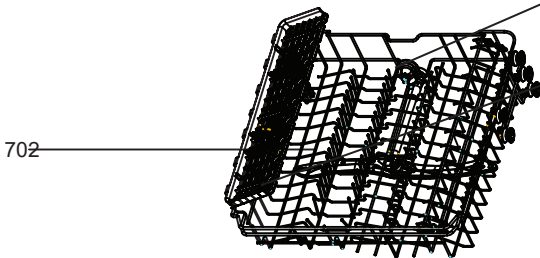
E



F

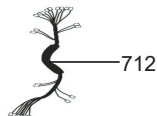
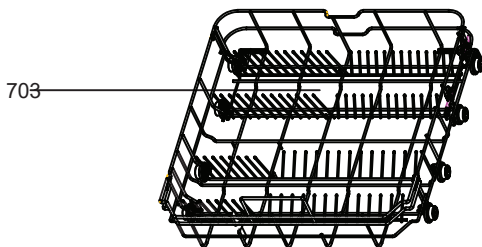


G



704

705



720

1		S13*4	X14	21		X1
2		S13.5X45	X4	22		X1
3		S13.5X25	X2	23		X2
4		S13.5X16	X2	24		X2
5		S13.5X16	X2	25		X2