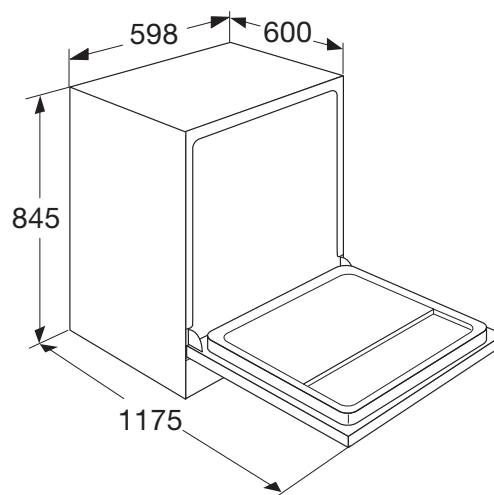


VRIJSTAANDE VAATWASSER (60 CM)

**Specificaties**

- 5 programma's: 60-min programma, intensief, eco, snel, spoelen
- 4 reinigingstemperaturen 35°C, 45°C, 60°C, 65°C
- drogen met restwarmte
- aquastop
- VOB-vlotter overloop beveiliging
- geïntegreerd verwarmingselement

Gebruikersgemak

- bovenkorf in hoogte verstelbaar zonder belading
- geschikt voor 13 couverts
- halve belading
- elektronische controle voor zout en glansmiddel

Technische specificaties

- | | |
|----------------------------------|--------------------|
| • buitenmaten (hxbxd) | 845 x 598 x 600 mm |
| • aansluitwaarde | 2100 W |
| • energieverbruik per 100 cycli* | 94 kWh |
| • waterverbruik* | 11 liter |
| • geluidsniveau* | 49 dB(A) |
| • geluidsklasse* | C |
| • energieklassen* | E |

* geldt voor het gedeclareerde standaardprogramma

Product Information Sheet

COMMISSION DELEGATED REGULATION (EU) 2019/2017

Supplier's name or trademark: ETNA

Supplier's address: Impact 83, 6921 RZ Duiven, NL

Model identifier: VWV149WIT

General product parameters:

Parameter	Value	Parameter	Value	
Rated capacity (ps)	13	Dimensions in cm	Height	85
			Width	60
			Depth	60
EEl	55.9	Energy efficiency class	E	
Cleaning performance index	1.13	Drying performance index	1.07	
Energy consumption in kWh [per cycle], based on the eco programme using cold water fill. Actual energy consumption will depend on how the appliance is used.	0.937	Water consumption in litres [per cycle], based on the eco programme. Actual water consumption will depend on how the appliance is used and on the hardness of the water.	11	
Programme duration (h:min)	3:40	Type	Free-standing	
Airborne acoustical noise emissions (dB(A) re 1 pW)	49	Airborne acoustical noise emission class	C	
Off-mode (W)	0.49	Standby mode (W)	-	
Delay start (W) (if applicable)	-	Networked standby (W) (if applicable)	-	

Minimum duration of the guarantee offered by the supplier: 24 months

Additional information:

Weblink to the supplier's website, where the information in point 6 of Annex II to Commission Regulation (EU) 2019/2022 is found: <https://www.etna.nl>