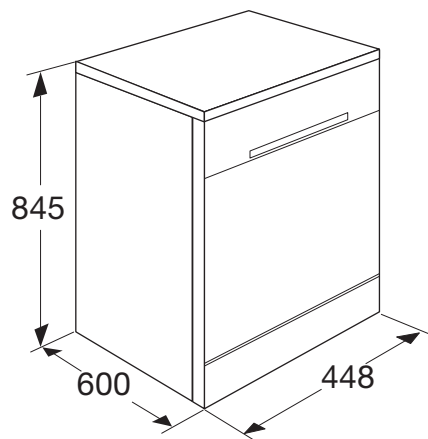


VRIJSTAANDE SLIMLINE VAATWASSER (45 CM)

**Specificaties**

- 5 programma's: intensief, 60-min programma, eco, snel, spoelen
- 4 reinigingstemperaturen 40°C, 45°C, 50°C, 60°C
- drogen met restwarmte
- aquastop
- VOB-vlotter overloop beveiliging
- geïntegreerd verwarmingselement

Gebruikersgemak

- bovenkorf in hoogte verstelbaar zonder belading
- geschikt voor 9 couverts
- halve belading
- elektronische controle voor zout en glansmiddel

Technische specificaties

- | | |
|----------------------------------|--------------------|
| • kleur | wit |
| • buitenmaten (hxbxd) | 845 x 448 x 600 mm |
| • aansluitwaarde | 2100 W |
| • energieverbruik per 100 cycli* | 70 kWh |
| • waterverbruik* | 9 liter |
| • geluidsniveau* | 47 dB(A) |
| • geluidsklasse* | C |
| • energieklassen* | E |

* geldt voor het gedeclareerde standaardprogramma

Product Information Sheet

COMMISSION DELEGATED REGULATION (EU) 2019/2017

Supplier's name or trademark: ETNA

Supplier's address: Impact 83, 6921 RZ Duiven, NL

Model identifier: VWV147SWIT

General product parameters:

| Parameter | Value | Parameter | Value | |
|--|-------|--|---------------|----|
| Rated capacity (ps) | 9 | Dimensions in cm | Height | 85 |
| | | | Width | 45 |
| | | | Depth | 60 |
| EEl | 55.9 | Energy efficiency class | E | |
| Cleaning performance index | 1.13 | Drying performance index | 1.07 | |
| Energy consumption in kWh [per cycle], based on the eco programme using cold water fill. Actual energy consumption will depend on how the appliance is used. | 0.704 | Water consumption in litres [per cycle], based on the eco programme. Actual water consumption will depend on how the appliance is used and on the hardness of the water. | 9 | |
| Programme duration (h:min) | 3:55 | Type | Free-standing | |
| Airborne acoustical noise emissions (dB(A) re 1 pW) | 47 | Airborne acoustical noise emission class | C | |
| Off-mode (W) | 0.49 | Standby mode (W) | - | |
| Delay start (W) (if applicable) | - | Networked standby (W) (if applicable) | - | |

Minimum duration of the guarantee offered by the supplier: 24 months

Additional information:

Weblink to the supplier's website, where the information in point 6 of Annex II to Commission Regulation (EU) 2019/2022 is found: <https://www.etna.nl>