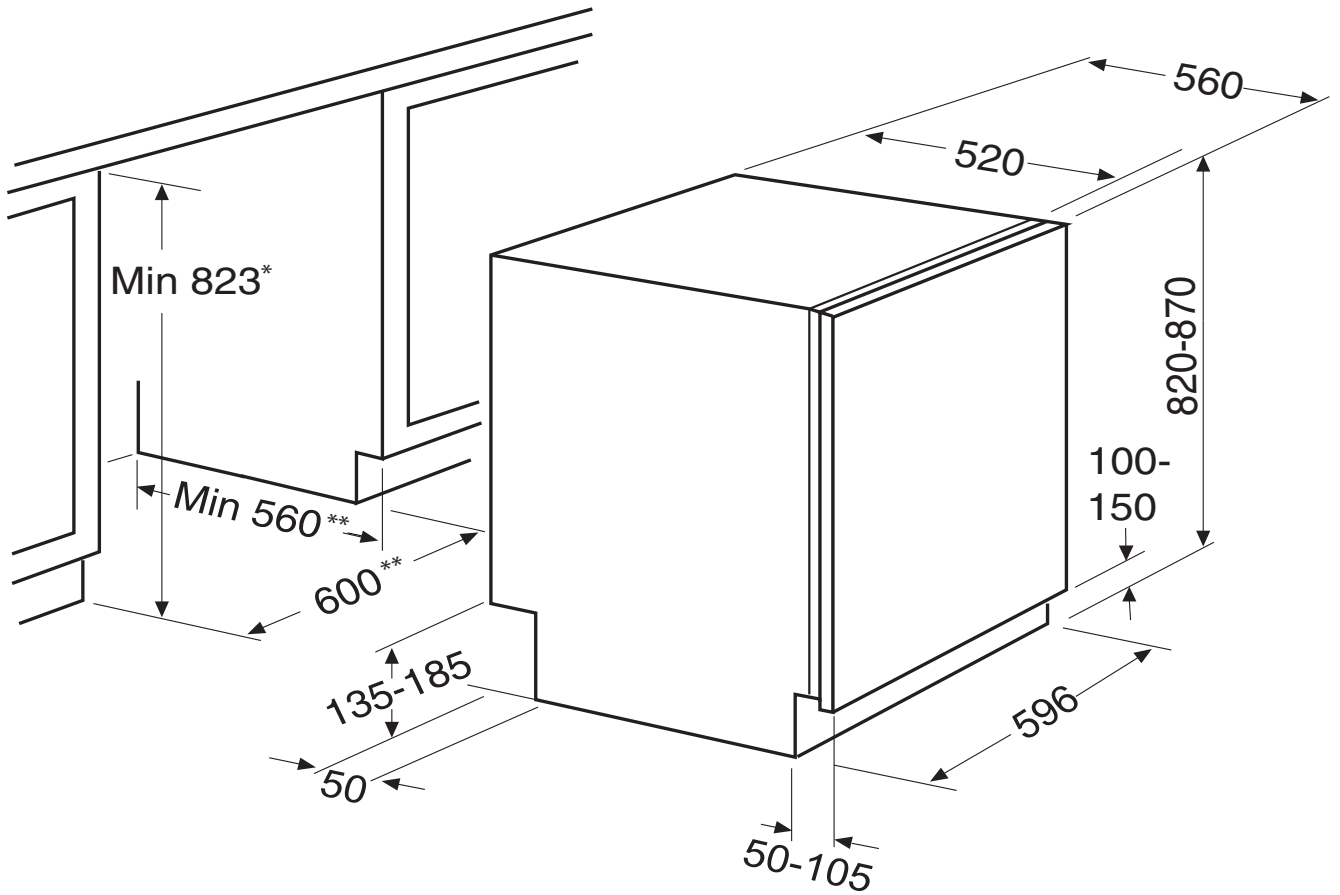


Built-in installation



* With nut and sliding protection mounted

** Recommended measurements

Freestanding installation

