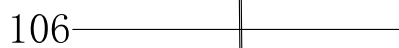
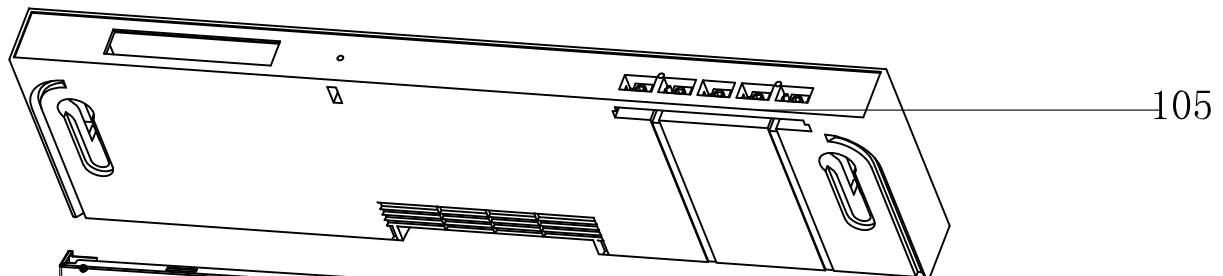
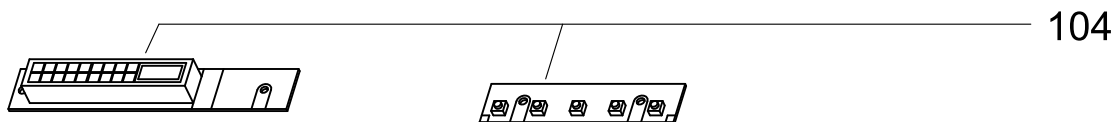
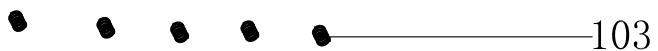
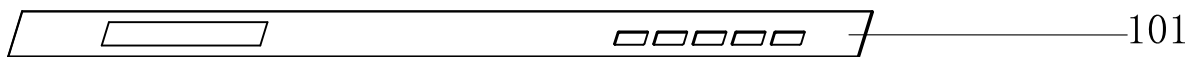
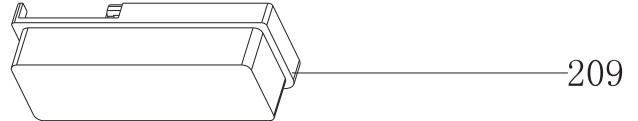
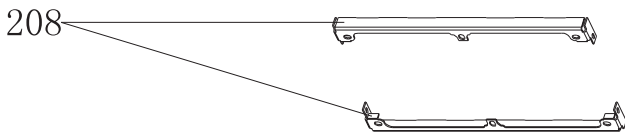
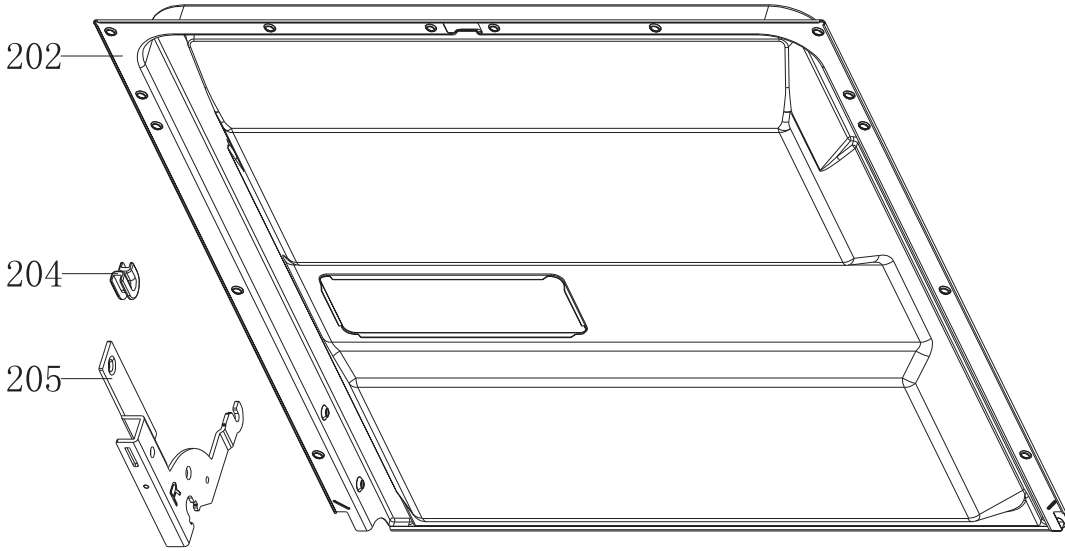


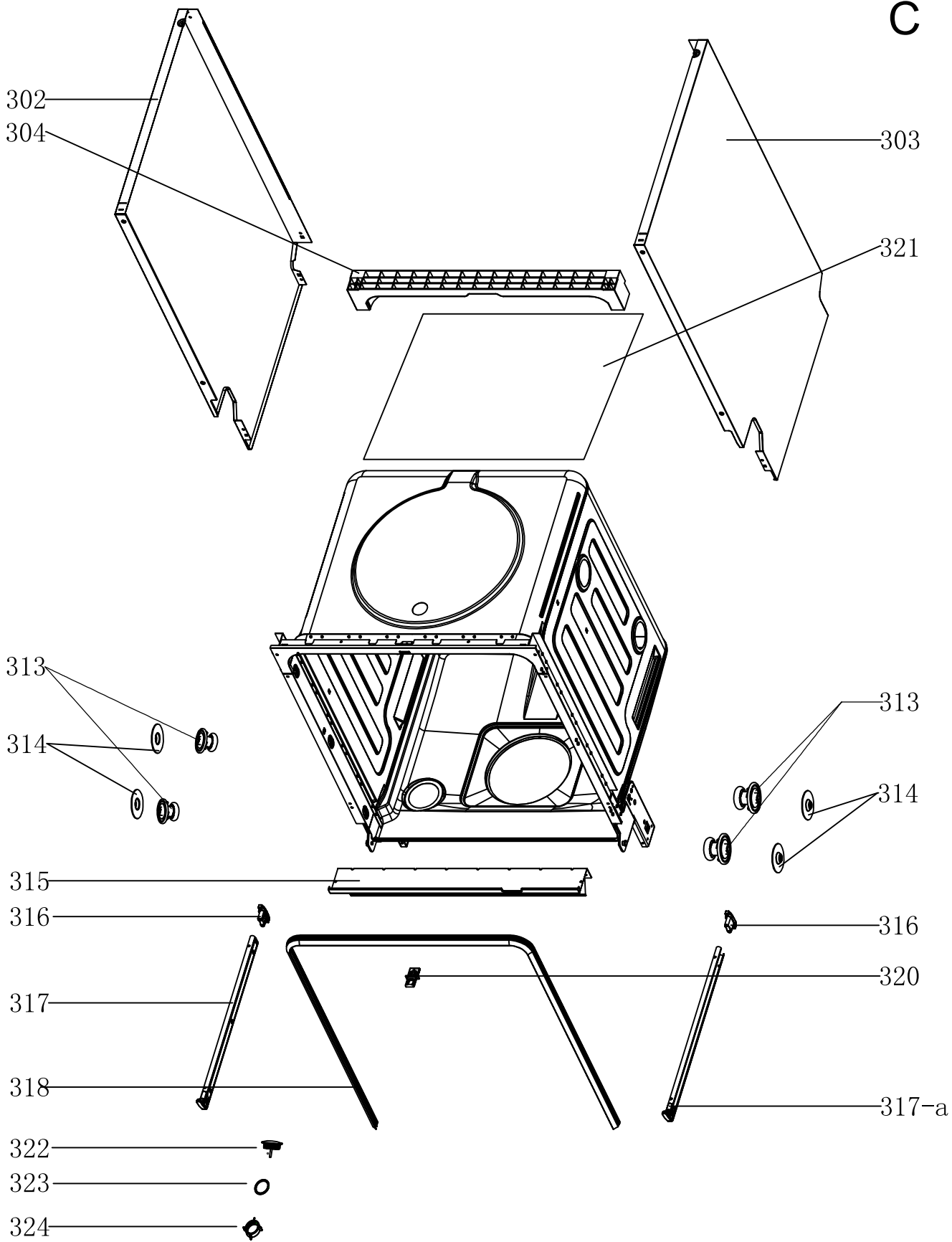
A



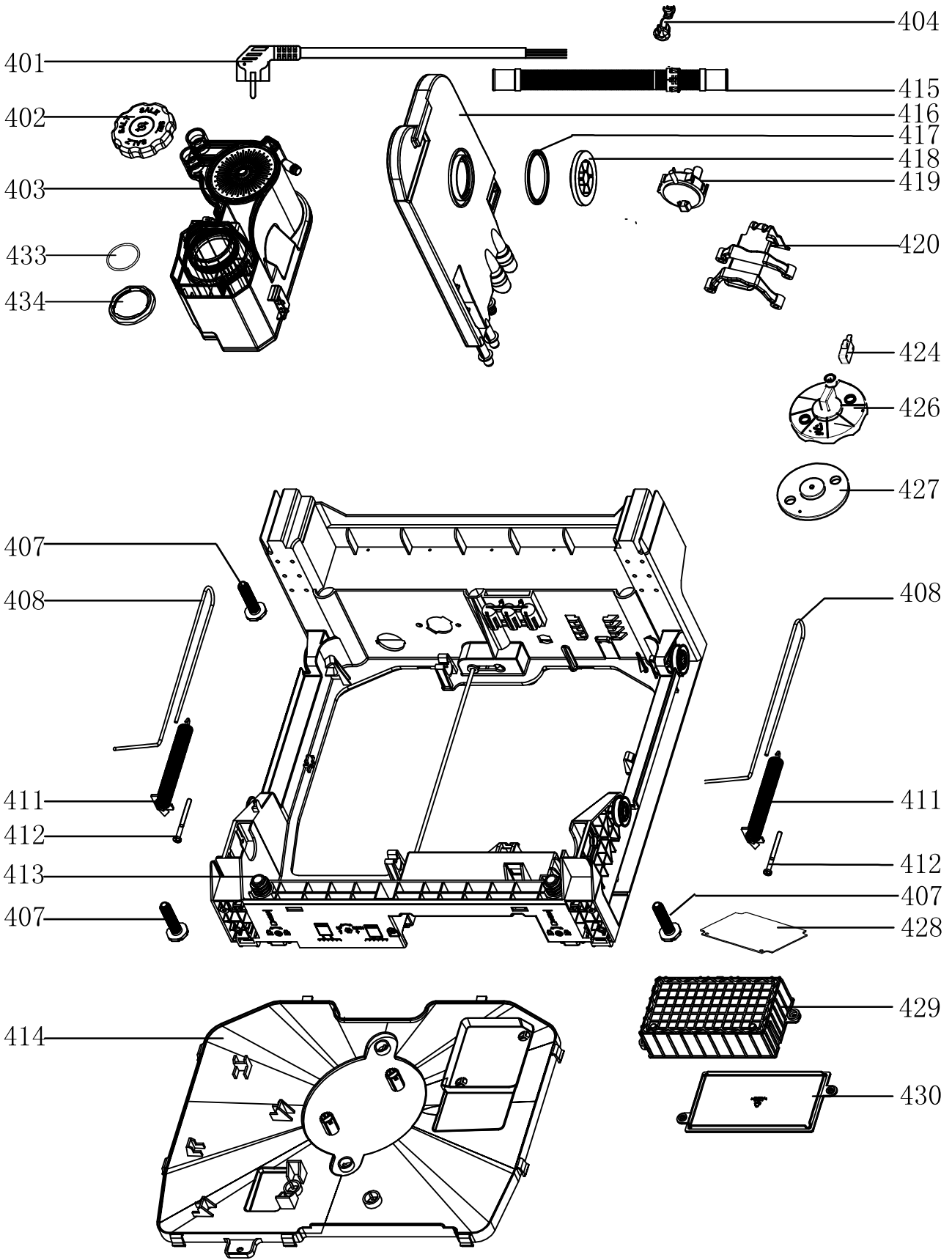
B



C

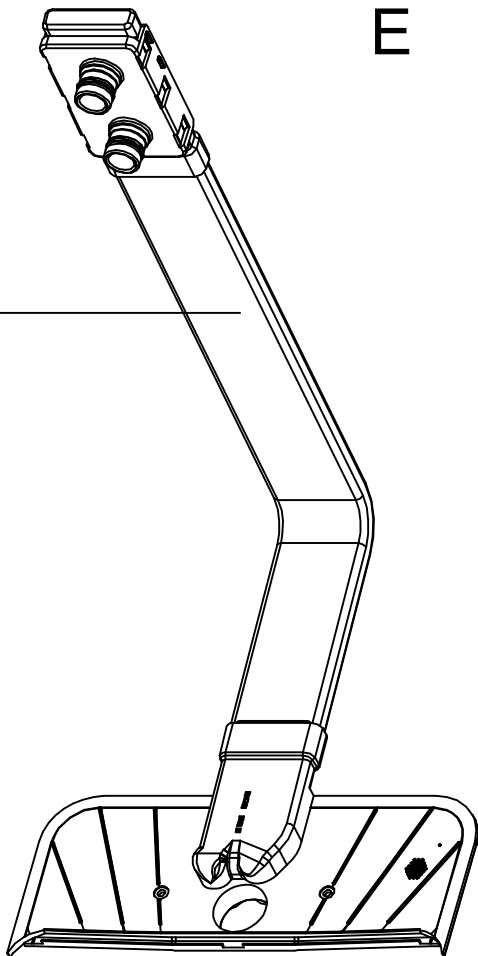


D

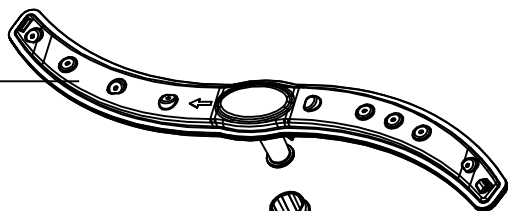


E

501



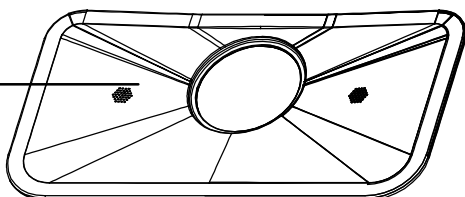
510

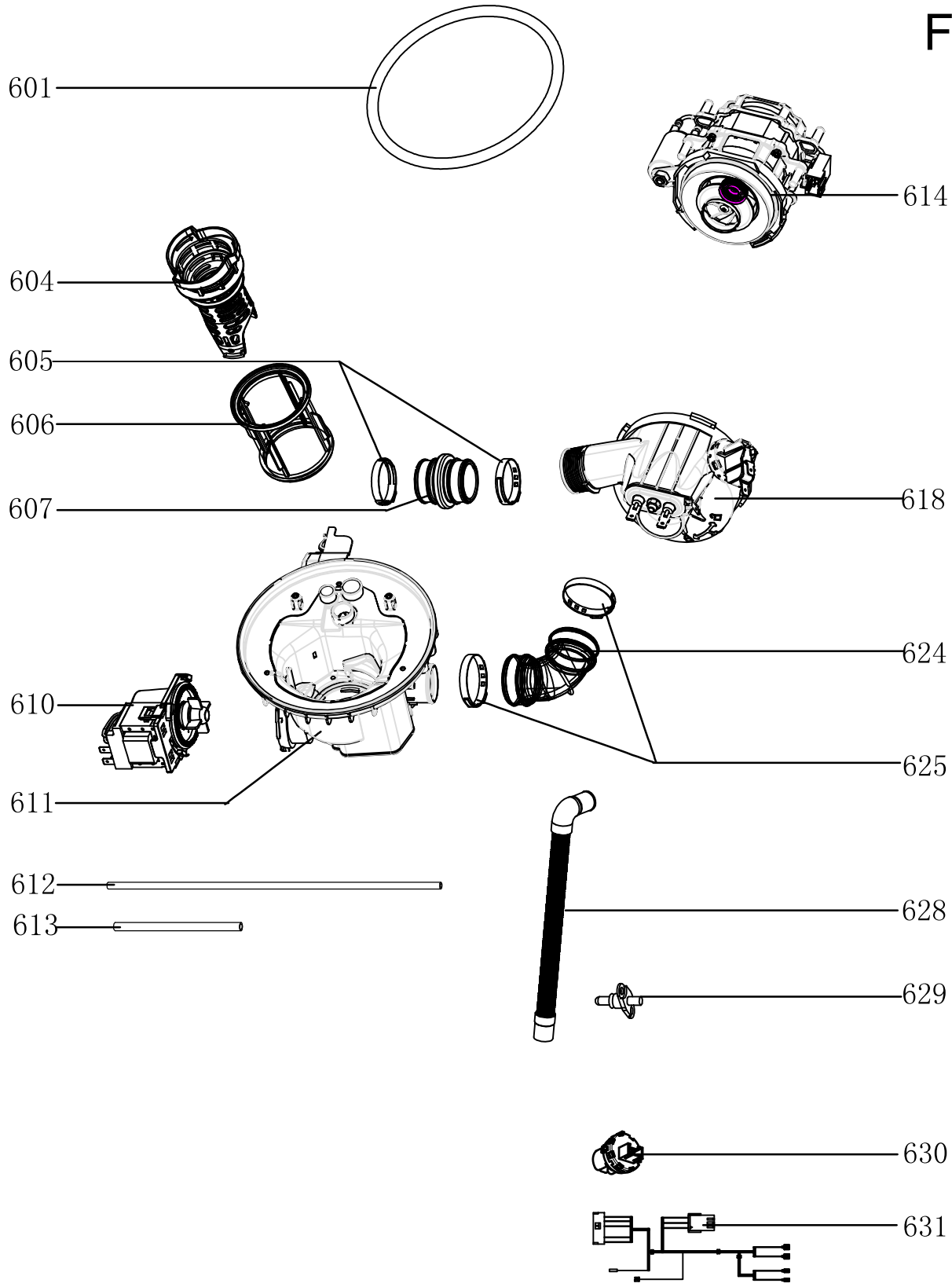


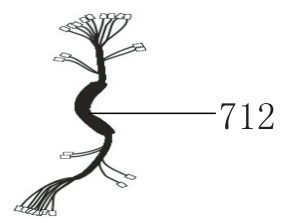
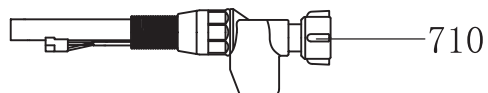
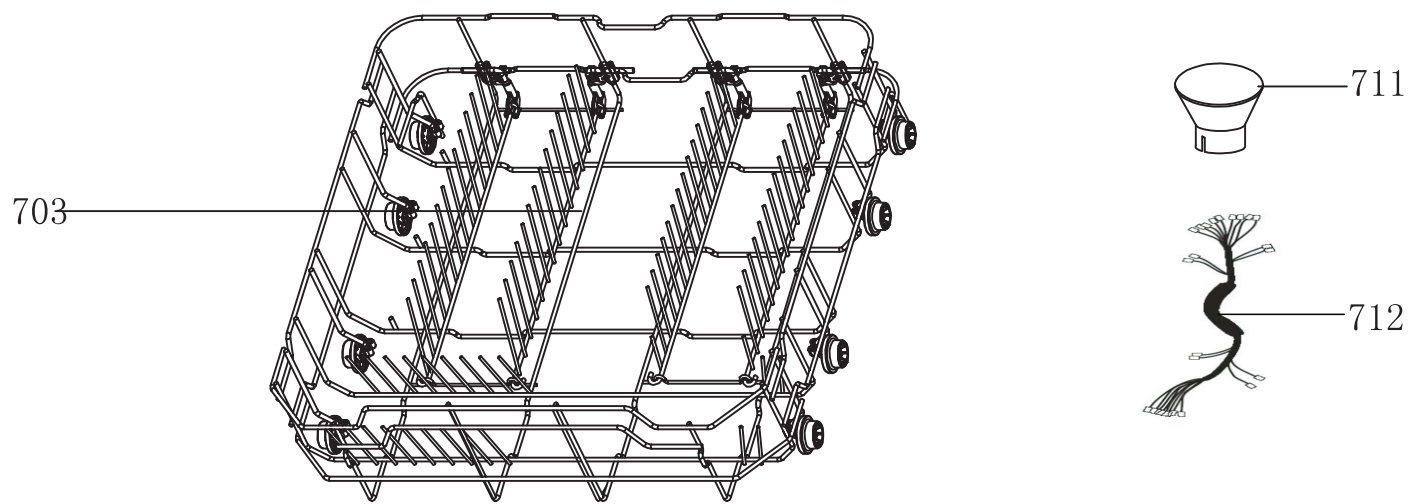
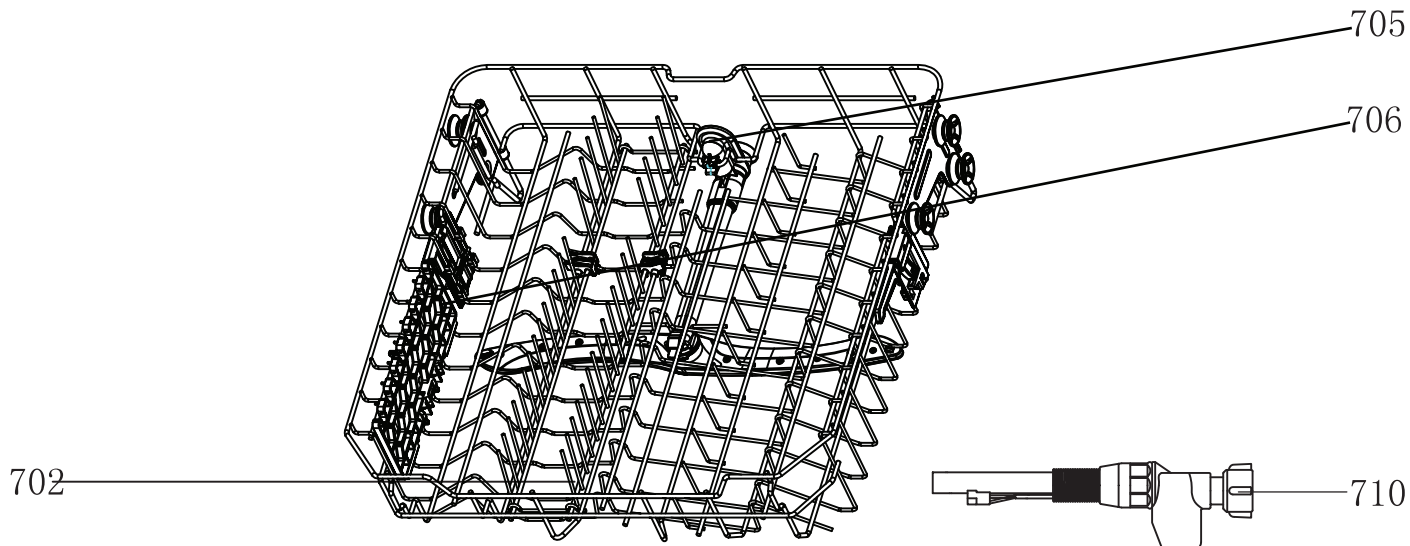
511



513







- |   |  |             |     |   |  |    |
|---|--|-------------|-----|---|--|----|
| ① |  | ST4 X 14    | X14 | ⑤ |  | X1 |
| ② |  | ST3.5 X 4.5 | X4  | ⑦ |  | X2 |
| ③ |  | ST3.5 X 2.5 | X2  | ⑧ |  | X2 |
| ④ |  |             | X2  | ⑨ |  | X2 |
| ⑤ |  | ST3.5 X 16  | X2  |   |  |    |
- 720