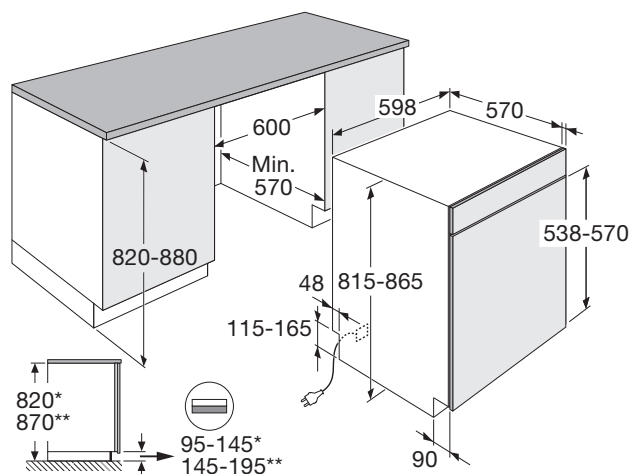
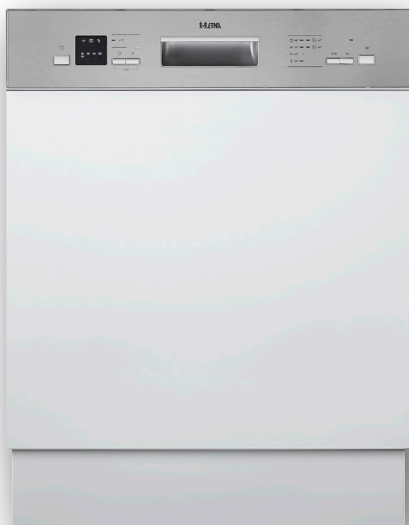


GEÏNTEGREERDE VAATWASSER (60 CM)

**Specificaties**

- 6 programma's: intensief, normaal, eco, glas, 90-min programma, snel
- 5 reinigingstemperaturen 40°C, 50°C, 55°C, 60°C, 65°C
- drogen met restwarmte
- aquastop
- VOB-vlotter overloop beveiliging
- geïntegreerd verwarmingselement
- meervoudig filtersysteem

Gebruikersgemak

- bovenkorf in hoogte verstelbaar zonder belading
- uitgestelde start 3-6-9-12 uur
- ruimte voor 12 couverts
- halve belading
- elektronische controle voor zout en glansmiddel
- vanaf voorzijde instelbare achterpoten

Technische specificaties

- | | |
|----------------------------------|------------------------|
| • inbouwmaten (hxbxd) | 820/880 x 600 x 570 mm |
| • aansluitwaarde | 2100 W |
| • energieverbruik per 100 cycli* | 92 kWh |
| • waterverbruik* | 11 liter |
| • geluidsniveau* | 47 dB(A) |
| • geluidsklasse* | C |
| • energieklassen* | E |

* geldt voor het gedeclareerde standaardprogramma

Product Information Sheet

COMMISSION DELEGATED REGULATION (EU) 2019/2017

Supplier's name or trademark: ETNA

Supplier's address: Impact 83, 6921 RZ Duiven, NL

Model identifier: VW47BM

General product parameters:

Parameter	Value	Parameter	Value	
Rated capacity (ps)	12	Dimensions in cm	Height	82
			Width	60
			Depth	57
EEL	55.9	Energy efficiency class	E	
Cleaning performance index	1.13	Drying performance index	1.07	
Energy consumption in kWh [per cycle], based on the eco programme using cold water fill. Actual energy consumption will depend on how the appliance is used.	0.923	Water consumption in litres [per cycle], based on the eco programme. Actual water consumption will depend on how the appliance is used and on the hardness of the water.	11	
Programme duration (h:min)	3:40	Type	Built-in	
Airborne acoustical noise emissions (dB(A) re 1 pW)	47	Airborne acoustical noise emission class	C	
Off-mode (W)	0.49	Standby mode (W)	-	
Delay start (W) (if applicable)	1	Networked standby (W) (if applicable)	-	

Minimum duration of the guarantee offered by the supplier: 24 months

Additional information:

Weblink to the supplier's website, where the information in point 6 of Annex II to Commission Regulation (EU) 2019/2022 is found: <https://www.etna.nl>