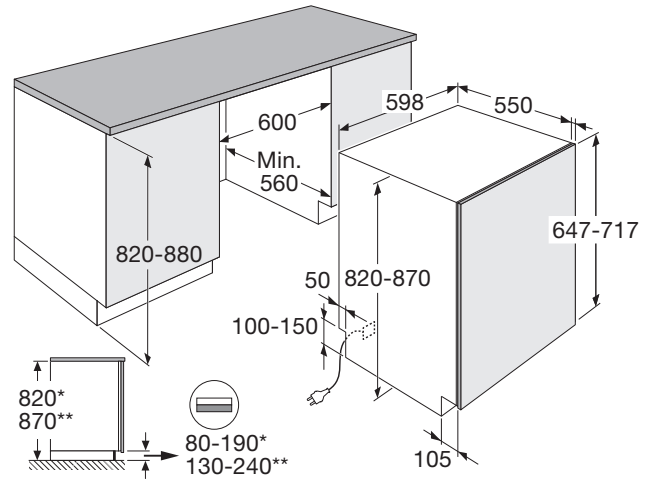


VOLLEDIG GEÏNTEGREERDE VAATWASSER (60 CM)

**Specificaties**

- 5 programma's: intensief, 50-min programma, eco, snel, spoelen
- 3 reinigingstemperaturen 40°C, 50°C, 65°C
- drogen met restwarmte
- aquastop
- VOB-vlotter overloop beveiliging
- geïntegreerd verwarmingselement
- meervoudig filtersysteem

Gebruikersgemak

- uitgestelde start 3-6-9 uur
- geschikt voor 12 couverts
- halve belading
- elektronische controle voor zout en glansmiddel
- vanaf voorzijde verstelbare achterpoten

Technische specificaties

- | | |
|----------------------------------|------------------------|
| • inbouwmaten (hxbxd) | 820/880 x 600 x 560 mm |
| • aansluitwaarde | 1900 W |
| • energieverbruik per 100 cycli* | 92 kWh |
| • waterverbruik* | 12 liter |
| • geluidsniveau* | 49 dB(A) |
| • geluidsklasse* | C |
| • energieklassen* | E |

* geldt voor het gedeclareerde standaardprogramma

Product Information Sheet

COMMISSION DELEGATED REGULATION (EU) 2019/2017

Supplier's name or trademark: ETNA

Supplier's address: Impact 83, 6921 RZ Duiven, NL

Model identifier: VW149M

General product parameters:

Parameter	Value	Parameter	Value	
Rated capacity (ps)	12	Dimensions in cm	Height	82
			Width	60
			Depth	55
EEl	55.9	Energy efficiency class	E	
Cleaning performance index	1.13	Drying performance index	1.07	
Energy consumption in kWh [per cycle], based on the eco programme using cold water fill. Actual energy consumption will depend on how the appliance is used.	0.923	Water consumption in litres [per cycle], based on the eco programme. Actual water consumption will depend on how the appliance is used and on the hardness of the water.	12	
Programme duration (h:min)	3:25	Type	Built-in	
Airborne acoustical noise emissions (dB(A) re 1 pW)	49	Airborne acoustical noise emission class	C	
Off-mode (W)	0.5	Standby mode (W)	-	
Delay start (W) (if applicable)	1	Networked standby (W) (if applicable)	-	

Minimum duration of the guarantee offered by the supplier: 24 months

Additional information:

Weblink to the supplier's website, where the information in point 6 of Annex II to Commission Regulation (EU) 2019/2022 is found: <http://www.etna.nl>