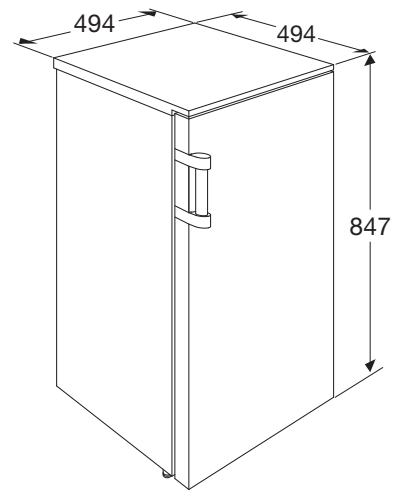


TAFELMODEL VRIEZER (49 CM)



**Specificaties**

- totale inhoud \*\*\*\*vriesgedeelte 70 liter
- deur met verwisselbare draairichting
- 2 transparante vrieslades
- 1 vriesvak met klep

**Technische specificaties**

- |                     |                    |
|---------------------|--------------------|
| • afmeting (hxbxd)  | 847 x 494 x 494 mm |
| • aansluitwaarde    | 70 W               |
| • invriescapaciteit | 3,2 kg/24h         |
| • energieverbruik   | 160 kWh/jaar       |
| • energieklassen    | E                  |
| • geluidsniveau     | 40 dB(A)           |

# Product Information Sheet

COMMISSION DELEGATED REGULATION (EU) 2019/2016

**Supplier's name or trademark:** ETNA

**Supplier's address:** Impact 83, 6921 RZ Duiven, NL

**Model identifier:** VV649WIT

**Type of refrigerating appliance:**

Low-noise appliance:	No	Design type:	freestanding
Wine storage appliance:	No	Other refrigerating appliance:	Yes

**General product parameters:**

Parameter	Value	Parameter	Value
Overall dimensions (millimetre)	Height	847	Total volume (dm <sup>3</sup> or l)
	Width	494	
	Depth	494	
EEI	100	Energy efficiency class	E
Airborne acoustical noise emissions (dB(A) re 1 pW)	40	Airborne acoustical noise emission class	C
Annual energy consumption (kWh/a)	159.79	Climate class:	tropical
Minimum ambient temperature (°C), for which the refrigerating appliance is suitable	16	Maximum ambient temperature (°C), for which the refrigerating appliance is suitable	43
Winter setting	No		

**Compartment Parameters:**

Compartment type	Compartment parameters and values				
	Compartment volume (dm <sup>3</sup> or l)	Recommended temperature setting for optimised food storage (°C) These settings shall not contradict the storage conditions set out in Annex IV, Table 3	Freezing capacity (kg/24h)	Defrosting type (auto-defrost=A, manual defrost=M)	
Pantry	No	-	-	-	-
Wine storage	No	-	-	-	-
Cellar	No	-	-	-	-
Fresh food	No	-	-	-	-
Chill	No	-	-	-	-
0-star or ice-making	No	-	-	-	-

1-star	No	-	-	-	-
2-star	No	-	-	-	-
3-star	No	-	-	-	-
4-star	Yes	70	-18	3.2	M
2-star section	No	-	-	-	-
Variable temperature compartment	-	-	-	-	-
<b>For 4-star compartments</b>					
Fast freeze facility			No		
<b>Light source parameters:</b>					
Type of light source			-		
Energy efficiency class			-		
<b>Minimum duration of the guarantee offered by the manufacturer:</b> 24 months					
<b>Additional information:</b>					
<b>Weblink to the manufacturer's website, where the information in point4(a) Annex of Commission Regulation (EU) 2019/2019 is found:</b> <a href="https://www.etna.nl/">https://www.etna.nl/</a>					