

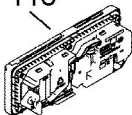
344



587A



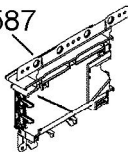
118



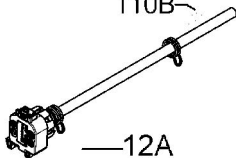
16



587



110B



506

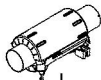
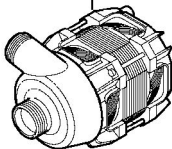


12A

11A



6



10

11



6A

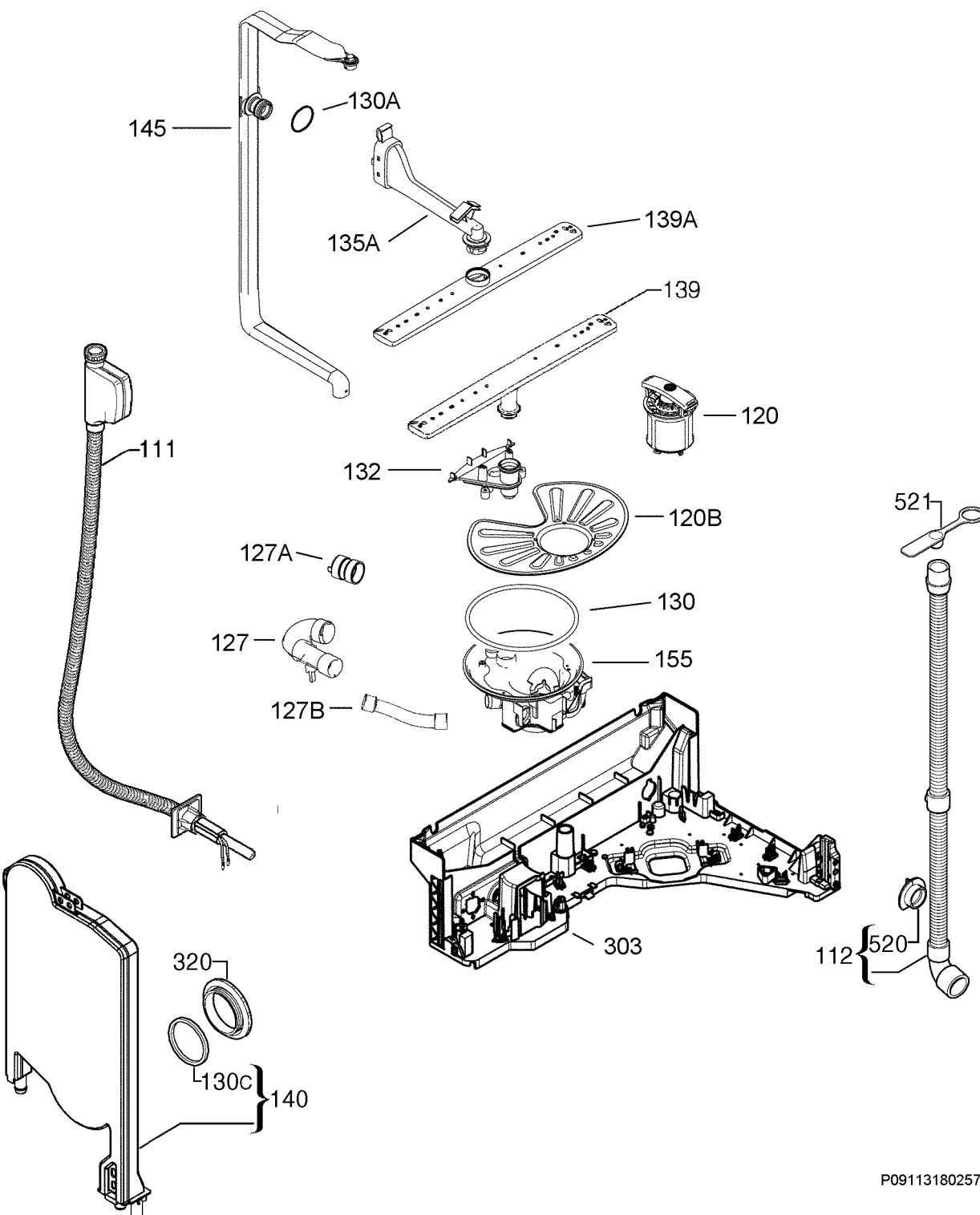


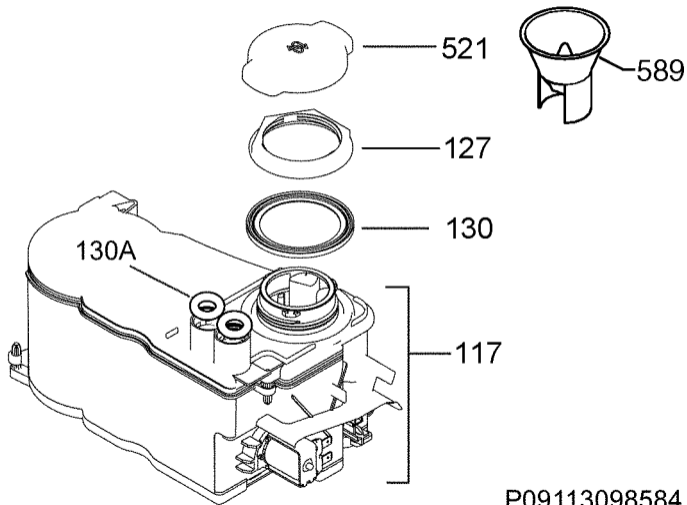
48



567







P09113098584

