

User Instructions
Dishwasher



VA6011AF

Dear customer,

Please read these user instructions carefully.

Above all please observe the safety instructions on the first few pages of these user instructions! Please keep these user instructions for later reference. Pass them on to any subsequent owner of the appliance.



The warning triangle and/or specific words (**Warning!**, **Caution!**, **Important!**) are used to highlight instructions that are important for your safety or for the function of the appliance. It is imperative that these instructions are observed.



This symbol or numbered instruction steps lead you step for step through the operation of the appliance.



Next to this symbol you receive additional information and practical tips on using the appliance.



Tips and instructions for the economical and environmentally conscious use of the appliance are marked with a clover leaf.

In the event of a malfunction, these operating instructions contain information on how to rectify faults yourself, see the "What to do, if..." section.

If these instructions are insufficient, please contact your nearest customer service centre.

In the case of technical problems, our customer service organisation is available to provide you with assistance at any time.

In this respect please read the "Service" note on the rear of these user instructions.



Your dishwasher is fitted with the new "PULSE WASH" wash system. With this wash system, the motor speed and spray pressure are varied during the wash programme to improve the cleaning of the dishes. It is for this reason that the noise level changes during the wash programme.

Printed on paper manufactured with environmentally sound processes. He who thinks ecologically acts accordingly ...

CONTENTS

Operating Instructions	5
Safety Instructions	5
Disposal	7
Economical and Ecological Dishwashing	7
Appliance Features and Control Panel	8
Control Panel	9
Prior to using for the first time	10
Adjusting the Water Softener	10
Filling with Special Salt for the Water Softener	12
Rinse Aid	13
Switching Rinse Aid Supply On and Off	13
Filling with Rinse Aid	14
Adjusting Rinse Aid Dosing	15
In Daily Use	15
Loading cutlery and dishes	16
Loading Cutlery	17
Loading Pans, Frying Pans and Large Plates	18
Loading Cups, Glasses and Coffee Services	20
Adjusting the Height of the Upper Basket	21
Filling with detergent	22
Use of 'Combined detergent tablets'.	23
Concentrated detergents	24
Combined detergents	24
Automatic Wash Programmes	25
Selecting the Wash Programme (Programme Table)	26
Start the wash programme	27
Changing/Interrupting/Canceling the Wash Programme	27
Setting or Changing the Start Delay Timer	28
Load Sensing – AUTOMATIC	29
Switching Off the Dishwasher	29
Emptying the Dishwasher	29
Care and Cleaning	29
Cleaning the Filter	30

What to do, when	31
...Error messages are displayed.	31
...problems occur during use of the dishwasher.	32
...the wash results are not satisfactory.	32
Technical Data	33
Notes for Test Institutes	34
Installation and Connection Instructions	35
Installing the Dishwasher	35
Dishwashers That Can Be Integrated	36
Connecting the Dishwasher	37
Water Connection	37
Permitted water pressure	37
Connect the inlet hose	37
Water drain	39
Leak Prevention System	40
Electrical connection	40
Connections	41
Service	43

OPERATING INSTRUCTIONS



Safety Instructions

The safety aspects of ATAG electrical appliances comply with accepted technical standards. Nevertheless, as a manufacturer we consider it our obligation to make you aware of the following safety information:

Installation, Connection and Placing into Operation

- The dishwasher may only be transported upright.
- Check the dishwasher for transport damage. Do not in any circumstances connect an appliance that is damaged. In the case of damage, please contact your supplier.
- Prior to placing the appliance in operation, ensure that the nominal voltage and type of supply on the rating plate match that of the supply where the appliance is to be installed. The fuse rating is also to be found on the rating plate.
- For information on how to correctly install and connect up your dishwasher, please read the "Installation" section. Multiway plugs / connectors and extension cables must not be used. This could constitute a safety hazard.

Child Safety

- Children often do not recognise the hazards associated with the use of electrical appliances. It is therefore important that you ensure children are adequately supervised and that you do not allow children to play with the dishwasher – there is a risk that children can shut themselves inside the appliance (risk of suffocation!).
- Packaging materials (e.g. films, styrofoam) can be dangerous for children. Risk of suffocation! Keep packaging away from children.
- Detergents can cause burns to the eyes, mouth, and throat, or even cause choking! Please observe the manufacturer's safety instructions for cleaners and detergents.
- The water in your dishwasher is not suitable for drinking. If there are still remnants of detergent in the appliance, there is a risk of burns!
- When disposing of the dishwasher: unplug from the mains, cut off and dispose of the mains cable. Break the door lock so that the door no longer shuts.

General Safety

- Repairs to the dishwasher are only to be carried out by qualified service engineers. Improper repairs can give rise to significant hazards for the user. If your appliance needs repairing, please contact customer service or your dealer.
- Never place the dishwasher in operation if the mains cable, water inlet or drain hose is damaged; or the control panel, work top or plinth area is damaged such that the inside of the appliance is freely accessible.
- If the mains lead is damaged, or is to be replaced for a longer lead, the cable (obtainable from ATAG customer service) must be changed by a service engineer authorised by ATAG.
- Never unplug the appliance by pulling on the cable, always pull the plug.
- Additions or modifications to the dishwasher are not permitted for safety reasons.
- Ensure that the door of the dishwasher is always closed when it is not being loaded or unloaded. In this way you will avoid anybody tripping over the open door and hurting themselves.
- Sharp knives and items of cutlery with sharp edges must be placed in the cutlery tray or in the upper rack.

Correct Use

- Only wash household dishes using the dishwasher. If the appliance is used for other purposes, or is used incorrectly, the manufacturer cannot accept any liability for any damage caused.
- Prior to use, ensure that the manufacturers of the special salt, detergent, and rinse aid employed specifically permit the usage of their products in household dishwashers.
- Do not put any solvents in the dishwasher. There is a risk of an explosion!
- The anti-flood system provides dependable protection against damage due to leaks. For this system to function correctly, the following preconditions must be met:
 - The appliance must remain connected to the mains even when it is switched off.
 - The dishwasher must be correctly installed.
 - Always shut off the water supply at the tap when the dishwasher is not to be used for longer periods, e.g. when you are away on holiday.

- Do not sit or stand on the open door, the appliance may tip over.
- In the event of a fault, first close the tap, then switch off the appliance and unplug it from the mains. If the appliance is permanently wired to the mains: switch off the fuse(s) or unscrew them.



Disposal

Disposing of the Packaging Material

Dispose of the dishwasher packaging material correctly. All the packaging materials used are harmless to the environment and can be recycled.

- Plastic parts are marked with standard international abbreviations:
 - >PE< for polyethylene, e.g. sheet wrapping material
 - >PS< for polystyrene, e.g. padding material (always CFC-free)
 - >POM< for polyoxymethylene, e.g. plastic clips
- Cardboard packaging is manufactured from recycled paper and should be deposited in the waste paper collection for recycling.

Disposal of old appliances

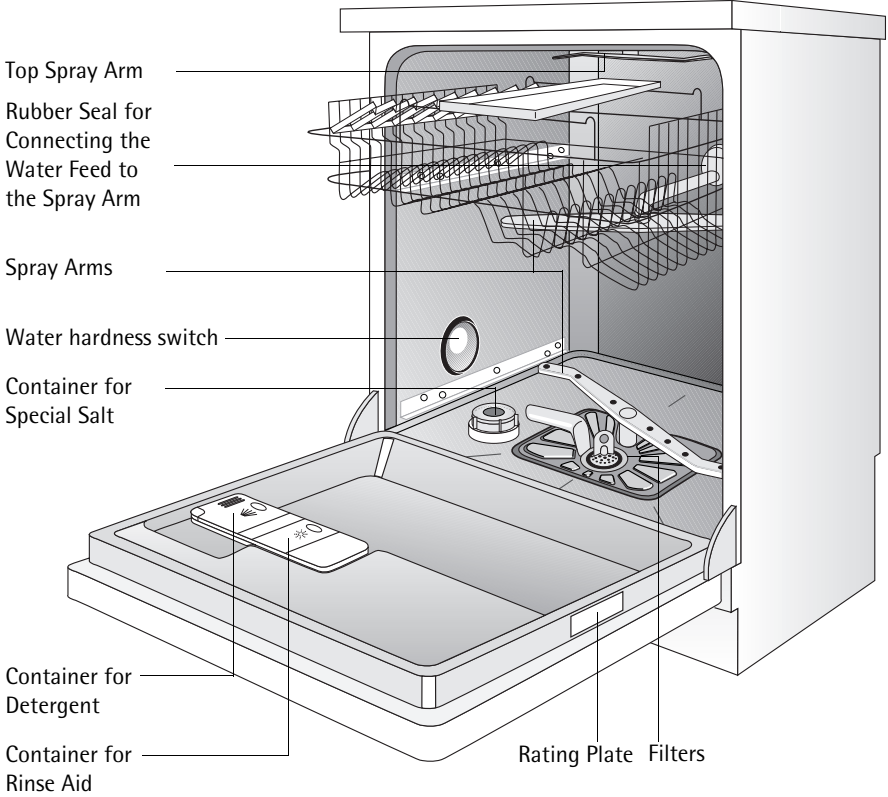
As and when you cease to use your dishwasher, please take it to a recycling centre or to your dealer who will, for a small contribution to the costs, dispose of it for you.



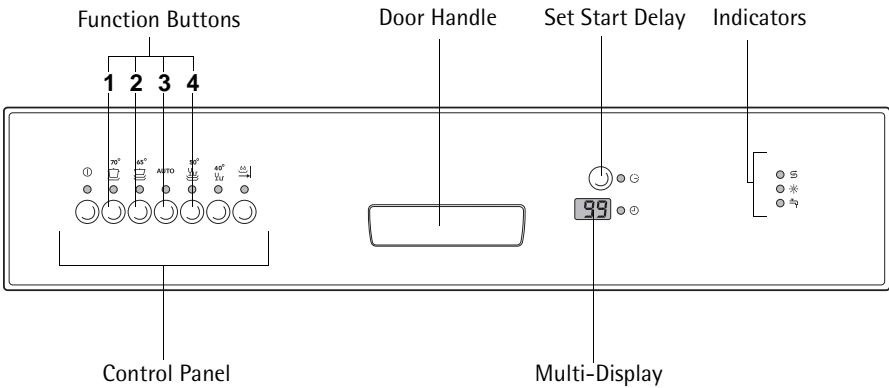
Economical and Ecological Dishwashing


- Only connect the dishwasher to the hot water supply if your hot water is not electrically heated.
- Ensure that the water softener is correctly adjusted.
- Do not pre-rinse dishes under running water.
- When you wash a small load, the load sensor calculates the amount of water necessary and shortens the programme. It is more economical to always wash with a full load.
- Select the wash programme to suit the nature and degree of the soiling on the dishes.
- Do not use more detergent, special salt or rinse aid than is recommended in these operating instructions and by the manufacturer of the respective product.

Appliance Features and Control Panel



Control Panel



The **control panel** consists of the ON/OFF button  and the programme buttons with LED displays.




Function buttons: In addition to the stated wash programme the following functions can also be set using these buttons:

Function Button 1	- is not occupied -
Function Button 2	Adjust the water softener
Function Button 3	Switch rinse aid supply on and off
Function Button 4	- is not occupied -

The **Multi-Display** can display,

- the hardness setting to which the water softener is set.
- whether the rinse aid supply is switched on/off.
- the start delay that is set.
- how long the current wash programme can be expected to last.
- which fault has occurred on the dishwasher.


Indicators have the following significance:

	Refill with special salt
	Refill with rinse aid
	Open the tap

Prior to using for the first time

Prior to using for the first time, remove all the clips with which the dish racks are secured for transport.

Then perform the following steps:

-  1. Adjust the water softener
2. Filling with Special Salt for the Water Softener
3. Filling with Rinse Aid

Adjusting the Water Softener

To prevent the build up of scale on dishes and in the dishwasher, the dishes must be washed with soft, i.e. low lime content water. For this reason the dishwasher is fitted with a water softener in which tap water from a hardness of 4 °d (German degree) is softened with the aid of special salt.



Your local water authority can advise you on the hardness of the water in your area.



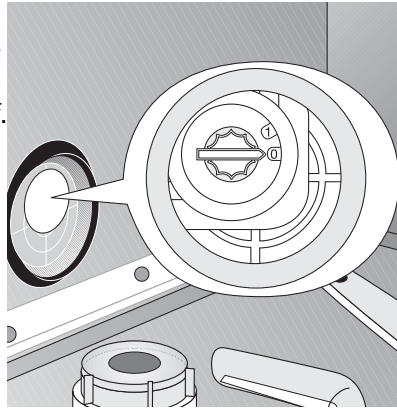
Adjust the water softener as stated in the table to the setting that corresponds to the hardness of the water in your area. The water softener can be set manually using the water hardness switch and also electronically using the buttons on the control panel.

Water Hardness			Hardness Setting		Display in the Multi-display	
in °d ¹)	in ppm ²)	Range	Manual	Electronic		
51 - 70	9,0 - 12,5	IV	1	9	H 9	
43 - 50	7,6 - 8,9			8	H 8	
37 - 42	6,5 - 7,5			7	H 7	
29 - 36	5,1 - 6,4			6	H 6	
23 - 28	4,0 - 5,0			5	H 5	
19 - 22	3,3 - 3,9	III	0*	4	H 4	
15 - 18	2,6 - 3,2			3*	H 3	
11 - 14	1,9 - 2,5	II		2	H 2	
4 - 10	0,7 - 1,8	I/II		1	H 1	
under 4	under 0.7	I		0	no salt necessary	H 0

- 1)(°d) German degrees, a measure of water hardness
- 2)(ppm), Parts Per Million
- *factory setting

Adjust the water softener to the hardness of the water in your area as stated in the table:

1. The dishwasher must be switched off.
2. **Manual adjustment:**
Open the dishwasher door.
3. Remove the lower rack from the dishwasher.
4. Turn the water hardness switch to 0 or 1.
5. Re-position the lower rack.
6. **Electronic adjustment:**
Simultaneously press and hold down function buttons **1** and **2**.
7. Press the ON/OFF button.
The LED displays for the engaged function buttons will flash.
8. Press function button **2** again.
The multi-display will show which hardness setting has been set.
9. Pressing function button **2** increases the hardness setting by 1.
(Exception: hardness setting 0 follows hardness setting 9).
10. Once the hardness setting is set correctly, press the ON/OFF switch.
The hardness setting is then saved.



Filling with Special Salt for the Water Softener



Use only special salt for dishwashers. Never fill the salt container with any another type of salt (e.g. culinary salt) or dishwasher detergent. This would irreparably damage the water softener. Prior to filling with salt, please check each time that you really do have a packet of special salt in your hand.

Fill with special salt:

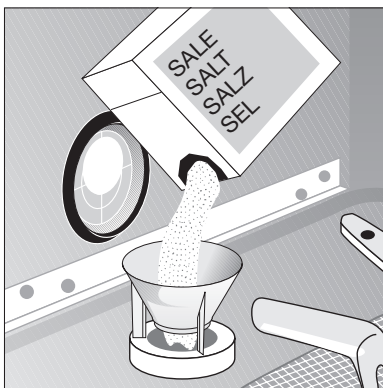
- Prior to using the dishwasher for the first time
- When the SALT indicator **S** on the control panel is illuminated.



If the water hardness in your area is less than 4 °d, you do not need to use special salt.



1. Open the door, remove the lower rack.
2. Undo the lid on the salt container by turning it anticlockwise.
3. **Only when using for the first time:** fill the salt container with water.
4. Place the funnel supplied on the container opening. Fill the container with special salt through the funnel; the capacity of the container is approx. 1.0–1.5 kg depending on the grain size. Do not overfill the salt container with special salt.



The water expelled by filling the salt container with special salt runs out of the salt container onto the base of the washing compartment. This is not a cause for concern, the water will be pumped out at the start of the next wash programme.

5. Clean any salt remnants on the container opening.
6. Turn the lid clockwise to the stop, otherwise special salt will leak into the wash water, this could lead to poor wash results. To avoid this run a rinse programme after filling the salt container with special salt. This will wash away salt water and any salt crystals that have been spilt.



Depending on the size of the salt grains, it can take several hours for the salt to dissolve in the water and the special salt indicator **S** to extinguish. The setting of the water softener and thus the consumption of salt are dependent on the hardness of the local water.

Rinse Aid

Rinse aid ensures that dishes emerge thoroughly rinsed and spot free while glasses are clear and shining.

There are two ways to add rinse aid:

- If you use detergent that already contains rinse aid, the detergent and rinse aid are placed in the detergent container.
 - In this case the rinse aid supply from the rinse aid container must be **switched off** to avoid double dosing.
- If you use separate detergent and rinse aid, the rinse aid is placed in the rinse aid container.
 - In this case the rinse aid supply from the rinse aid container must be **switched on**.
 - Rinse aid dosing levels need to be set.



Only use rinse aid specifically designed for domestic dishwashers. Never fill the rinse aid container with any other substance (e.g., vinegar concentrate or dishwasher cleaning agent) as this would damage the appliance.

Switching Rinse Aid Supply On and Off


1. The appliance must be switched off.
2. Simultaneously press and hold down function buttons **1** and **2**.
3. Press the ON/OFF switch.
The LED displays for the engaged function buttons will flash.
4. Press function button **3**.
The multidisplay shows the current setting:

d 0	Rinse aid supply switched off
d 1	Rinse aid supply switched on (factory setting)


5. Pressing function button **3** changes the setting.
6. Once the multi-display shows the required setting, press the ON/OFF button. The setting is then saved.

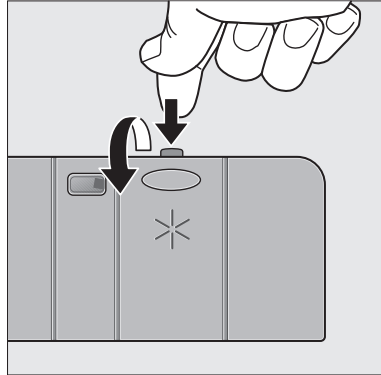
Filling with Rinse Aid

If you use separate detergent and rinse aid, fill up with rinse aid:

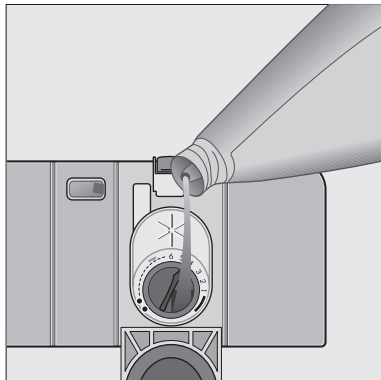
- prior to using the dishwasher for the first time
- when the indicator  is illuminated on the control panel.

The rinse aid compartment is on the inside of the dishwasher door.

-  1. Open the door.
2. Press the rinse aid compartment release button with your finger.
3. Fully open the rinse aid compartment lid.



4. Fill with rinse aid exactly up to the level marked "max"; this corresponds to a quantity of approx. 140 ml.
5. Close the lid and press until it locks into place.
6. Wipe up any spilt rinse aid with a cloth. Otherwise too much foam will be formed during the wash.

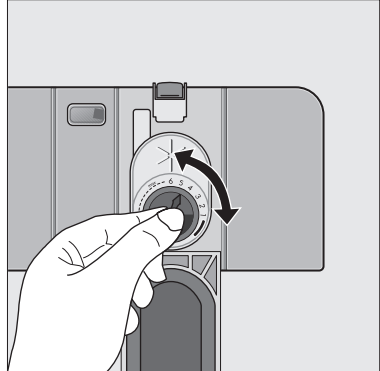


Adjusting Rinse Aid Dosing



As the dishes are washed rinse aid is released from the dispenser into the wash water. The dose is factory set at 4, and can be adjusted from 1 to 6. Only change the setting if streaks, milky spots or dried on water marks are visible on glasses or crockery.

1. Open the door of the dishwasher.
2. Press the rinse aid compartment release button with your finger.
3. Fully open the rinse aid compartment lid.
4. Set the dose level.
5. Close the lid and press until it locks into place.
6. If rinse aid has run out, wipe up with a cloth.



In Daily Use

- Is it necessary to refill with special salt or rinse aid?
- Load cutlery and dishes into the dishwasher
- Fill with dishwasher detergent
- Select a wash programme suitable for the cutlery and dishes
- Start the wash programme

Loading cutlery and dishes



Sponges, household cloths and any object that can absorb water may not be washed in the dishwasher.

For washing in the dishwasher the following cutlery/dishes	
are not suitable:	are of limited suitability:
<ul style="list-style-type: none"> • Cutlery with wooden, horn, china or mother of pearl handles • Plastic items that are not heat resistant • Older cutlery with cement that is not temperature resistant • Bonded cutlery items or dishes • Pewter or copper items • Lead crystal glass • Steel items subject to rusting • Wooden platters • Items made from synthetic fibres 	<ul style="list-style-type: none"> • Only wash stoneware in the dishwasher if it is specifically marked as being dishwasher-safe by the manufacturer. • Glazed patterns may fade if machine washed frequently. • Silver and aluminium parts have a tendency to discolour during washing. Left-overs, e.g. egg white, egg yolk and mustard often cause discolouring and staining on silver. Therefore always clean left-overs from silver immediately, if it is not to be washed straight after use. • Some types of glass can become dull after a large number of washes.

- Before loading the dishes, you should:
 - Remove large left-overs.
 - Soften remnants of burnt food in pans.
- When loading the dishes and cutlery, please note:
 - Dishes and cutlery must not impede the rotation of the spray arms.
 - Load hollow items such as cups, glasses, pans, etc. with the opening downwards so that water cannot collect in the container or a deep base.
 - Dishes and items of cutlery must not lie inside one another, or cover each other
 - To avoid damage to glasses, they must not touch
 - Do not lay small objects (e.g. lids) in the cutlery rack

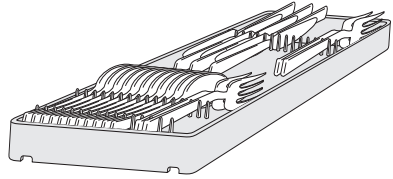
Loading Cutlery



Long, pointed items of cutlery are a hazard if placed in the cutlery basket, particularly to children (see Safety Instructions). They should therefore be placed in the upper rack.



Place knives, small spoons and small forks in the cutlery tray.

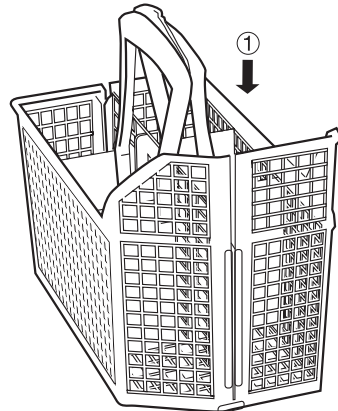
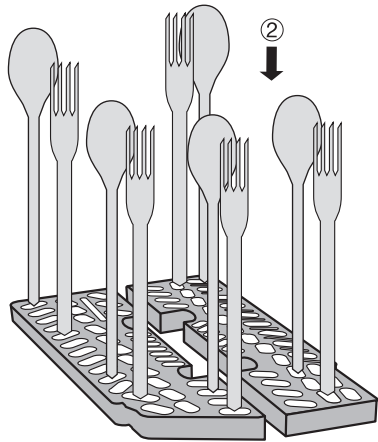


Place forks and spoons that do not fit in the cutlery tray in the cutlery basket.

To ensure that all items of cutlery in the cutlery basket are properly washed, you should



1. place the grid insert on the cutlery rack
2. place forks and spoons in the grid insert on the cutlery basket with the handle downwards.
3. For larger items of cutlery, e.g. a whisk, half of the top for the cutlery basket can be left off.

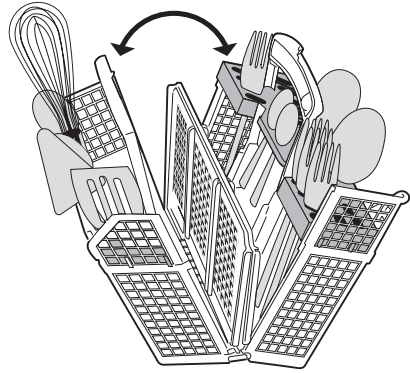


On some models of dishwasher it is possible to open the cutlery basket.



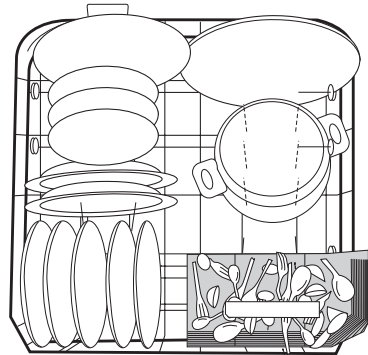
To ensure that the cutlery basket cannot open on removal from the appliance, you should always hold both parts of the two part handle.

1. Place the cutlery basket on a table or work surface
2. open the two part handle
3. remove cutlery
4. close the two part handle.



Loading Pans, Frying Pans and Large Plates

Load large and heavily soiled dishes in the lower rack (Plates up to 29cm in diameter).




Your dishwasher has one of the following four types of lower rack:

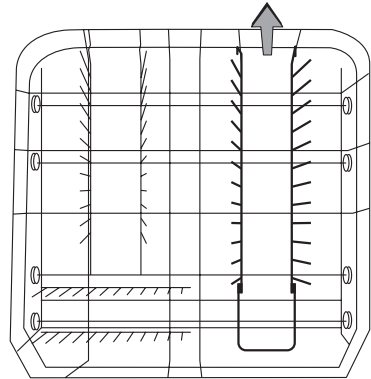
Type 1: None of the plate inserts in the lower rack can be removed

Type 2: The right-hand plate inserts in the lower rack can be folded over to the left

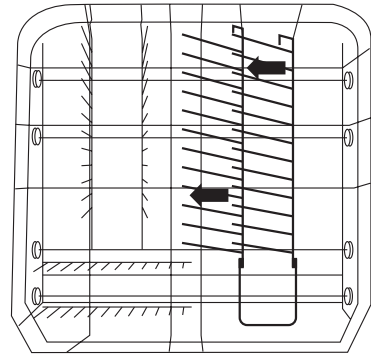


To ease the loading of large items, the two right-hand plate inserts in the lower rack can be folded over to the left:

 1. Slightly lift the right plate insert.



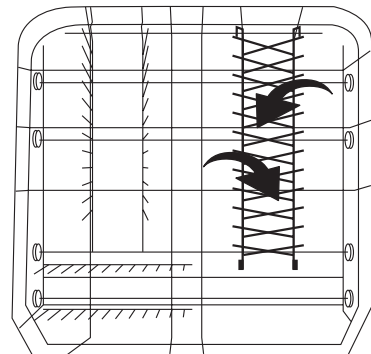
2. Fold the plate insert to the left.



Type 3: The right-hand plate inserts in the lower rack can be folded across one another



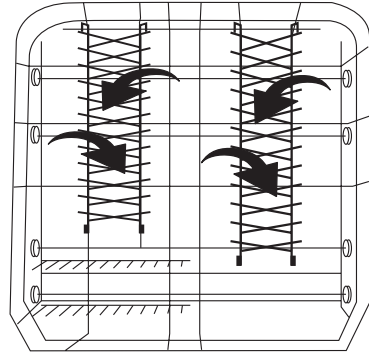
To ease the loading of large items, the two right-hand plate inserts in the lower rack can be folded across one another.



Type 4: The two rear plate inserts in the lower rack can be folded across one another

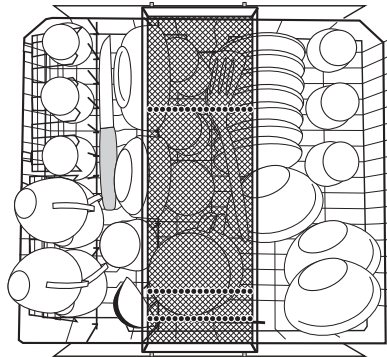


To ease the loading of large items, the two rear plate inserts in the lower rack can be folded across one another.

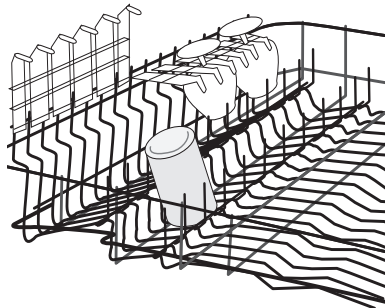


Loading Cups, Glasses and Coffee Services

Load small, delicate items and long pointed cutlery in the upper rack.



- Arrange items of crockery on the folding cups racks so that they are offset from each other and water can reach all items.
- The cup racks can be folded up out of the way for tall items.
- Lay or hang wine, champagne, and brandy glasses in the cut outs on the cup racks.
- Glasses, beakers, etc. can also be placed on the two rows of prongs on the left of the upper rack.



Adjusting the Height of the Upper Basket

	Maximum Height of the Dishes in the	
	Upper Basket	Lower Basket
With upper basket raised	22 cm	31 cm
With upper basket lowered	24 cm	29 cm



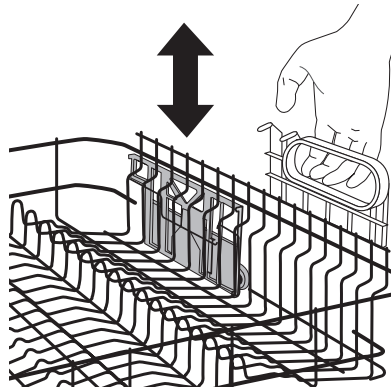
The height of the basket can also be adjusted when it is loaded.

Lowering the Upper Basket:

1. Pull the upper basket out completely.
2. Holding the upper basket by the handle, lift it as far as it will go and then lower it vertically. The upper basket will engage in the lower position.

Raising the Upper Basket:

1. Pull the upper basket out completely.
2. Holding the upper basket by the handle, lift it as far as it will go and then lower it vertically. The upper basket will engage in the higher position.



Filling with detergent



Only use detergent specifically designed for domestic dishwashers.

Fill with detergent:

– Prior to using the dishwasher (do not use with the programme 'pre wash'). Detergent is automatically added during the programme.

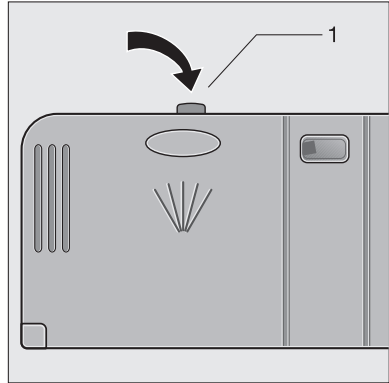


Please observe the instructions with regard to dosage and storage as detailed on the detergent's packaging.

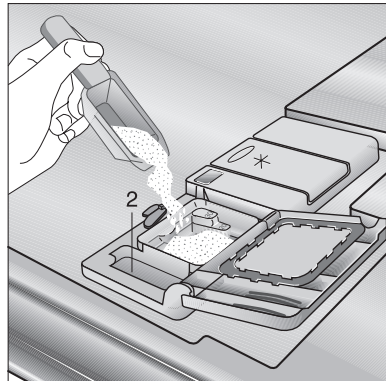
The detergent compartment is located on the inside of the dishwasher door.



1. If the lid is closed: press the release button (1).
The lid opens.



2. Fill the detergent compartment with detergent. The guidelines serve as a filling assistance:
"20" equals approximately 20 ml detergent,
"30" equals approximately 30 ml detergent.
3. Close the lid and press until it locks into place.




Heavily soiled dishes require additional detergent to be filled in compartment (2). This detergent is used during the pre wash.

Use of 'Combined detergent tablets'.

Important instructions

Detergent tablets which combine the function of detergent, rinse aid and salt are available.

-  1. Should you use this type of detergent, please check whether the hardness of the tap water is in accordance with the details as stated on the packaging material and / or whether the product is suitable for use.
2. Should you use this type of detergent the manufacturer's instructions are to be observed strictly. The detergent is to be filled in the detergent compartment, no other compartment should contain detergent. Filling the detergent at any other location could result in poor cleaning.
3. Please contact the manufacturer of the detergent should the cleaning and drying results be less than what you are accustomed to and which result in streaks, milky spots or dried water marks on cutlery and dishes (glass). (Please check the packaging for details on the address).

Should you decide to return to the use of a standard detergent, we suggest the following:

- fill the salt compartment as well as the rinse aid compartment;
- adjust the hardness of the water to a maximum level and initiate the standard dishwashing programme without loading the dishwasher;
- readjust the hardness of the water in accordance with the hardness of the tap water.



We cannot be held liable in the event complaints are a direct result of using these products!

Concentrated detergents

Based on the chemical composition the dishwasher detergents can be subdivided in two groups:

- conventional alkaline detergents containing caustic substances
- concentrated dishwasher detergents, slightly alkaline and containing natural enzymes



Use of a dishwasher programme on a temperature of 50 °C and whilst using a concentrated detergent is environmental friendly and extends the life span of the crockery, for the 50 °C-programmes are specially matched to the soil dissolving properties of the enzymes in the concentrated detergent. A 50 °C-programme combined with a concentrated detergent can achieve the same results that can otherwise only be achieved using 65 °C-programmes combined with a standard detergent.

Combined detergents



Detergents from different manufacturers dissolve at different rates. For this reason some detergents cannot develop their full cleaning power during short programmes. Therefore please use normal programmes with pre wash.

We cannot be held liable in the event complaints are a direct result of using these products!

Automatic Wash Programmes

During the AUTOMATIC programmes the amount of soiling on the dishes is determined by how cloudy the water is.

If the appliance is partially loaded and the dishes lightly soiled, the "pre wash", "main wash" and "rinsing" elements of the programme are shorter and the water consumption level is lower.

If the appliance is fully loaded and the dishes heavily soiled, the "pre wash", "main wash" and "rinsing" elements of the programme are longer and the water consumption level is higher.




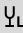
For this reason the programme duration, water and energy consumption levels can vary within the stated range for AUTOMATIC programmes (see Programme Table).

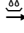

In this way, the dishes are always optimally washed while water and electricity consumption are kept low.

During AUTOMATIC programmes the temperature of the wash water is also automatically adjusted to between 50 °C and 65 °C depending on the amount of soiling on the dishes.

Selecting the Wash Programme (Programme Table)

Choose the most suitable wash programme with the aid of this table: ¹⁾

Type of Dishes	Dinner Service and Cooking Utensils			Coffee Service and Dessert Dishes	
In Addition	-	-	-	with delicate glasses	
Type of Soiling	<ul style="list-style-type: none"> heavily soiled dried on left-overs, particularly egg white and thickeners 	<ul style="list-style-type: none"> heavily soiled 	<ul style="list-style-type: none"> normally soiled dried-on left-overs 	<ul style="list-style-type: none"> normally soiled 	<ul style="list-style-type: none"> slightly soiled
				particularly suitable when concentrated detergents are used.	particularly suitable when concentrated detergents are used.
Suitable Programme:	↓	↓	↓	↓	↓
	70° 	65° 	AUTO	50°  ⁴⁾	40° 
Programme Sequence ²⁾	Pre wash Main wash 2x Rinsing Final rinse Drying	Pre wash Main wash Rinsing Final rinse Drying	Pre wash Main wash Rinsing Final rinse Drying	Pre wash Main wash Rinsing Final rinse Drying	- Main wash Rinsing Final rinse -
Consumption Figures: ³⁾	↓	↓	↓	↓	↓
Duration	110 - 120 min.	89 - 99 min.	95 - 115 min.	130 - 150 min.	35 min.
Energy	1.75 - 1.95 kWh	1.05 -1.25 kWh	1.10 - 1.35 kWh	0.95 - 1.05 kWh	0.7 kWh
Water	19 - 21 litres	14 - 16 litres	11.5 - 19 litres	14 - 16 litres	11 litres


¹⁾ In addition to the wash programmes given in the table there is the special programme PRE WASH . Using this programme you can give an initial wash to dishes that are to be stored in the dishwasher ready to be washed later. The special programme PRE WASH  lasts 12 minutes and uses 4 litres of water and less than 0.1 kWh of energy.


²⁾ Noise levels vary at different stages of the wash programme as at some programme stages the dishes are washed more energetically so that they will be cleaned more thoroughly.

³⁾ The consumption figures were determined under standard conditions. They are intended as a guide only and depend on the loading. For this reason figures may vary in practice.


⁴⁾ Test programme for test institutes

Start the wash programme


-  1. Check that the dishes and cutlery are loaded into the dishwasher in such a manner that the spray arms are free to rotate.
2. Open the tap fully.
3. Shut the door.
4. Press the ON/OFF button. The ON/OFF button indicator illuminates.
5. Press the programme button for the desired programme (see "Programme Table"). The programme indicator illuminates. The selected programme begins after around 6 seconds. The time remaining until the end of the programme is displayed on the multi-display, the time calculated is dependent on the load in the dish racks.
With automatic programme adjustment this residual time count can be stopped or corrected if necessary (load quantity, degree of dirtiness, etc.) using the dishwasher control.

 If fault messages are displayed on the multi-display after the start of the programme, please read the "What to do, if..." section.


Changing/Interrupting/Cancelling the Wash Programme

 Only change or interrupt a wash programme in progress if it is absolutely necessary to do so. When the appliance is closed again, the air that has entered is heated and expands significantly. As result water may penetrate into the base of the appliance and trigger the leak prevention system.

Changing the wash programme

 If you want to change the wash programme within 6 seconds of making a programme selection, briefly press the button for the new wash programme.

If you want to change the wash programme at a later point in time, use the following procedure:

-  1. Press the button for the new wash programme and hold it pressed. The indicators for both programmes now flash.
2. After a few seconds only the indicator for the new programme flashes. Release the programme button, the new programme is now running.

Interrupting the wash programme by opening the door of the dishwasher



Hot steam may escape from the appliance when opening the door. There is a risk of scolding! Open the door carefully.

1. Open the door of the dishwasher. The wash programme stops.
2. The indicator for the programme that is currently running extinguishes.
3. Close the door. The wash programme continues.

Cancelling the wash programme

1. Press the button for the current wash programme and hold it pressed. The programme indicator for the current wash programme flashes for a few seconds and then extinguishes.
2. Release the programme button, the wash programme is cancelled.




A selected programme is only interrupted by switching off the dishwasher, it is not cancelled. The wash programme is continued when the dishwasher is switched on again.


Setting or Changing the Start Delay Timer

Using the start delay timer you can adjust when the wash programme is to begin within the next 19 hours.

Setting the start delay timer:

1. Press the ON/OFF button.
2. Keep pressing the DELAY TIMER button  until the number of hours of delay until the wash programme is to start are flashing on the multi-display.
3. Press the button for the desired wash programme. The multi-display now displays the number of hours without flashing. The number of hours is saved.
4. The wash programme starts automatically at the end of the delay set.

Changing the start delay:


As long as the wash programme has not started, you can still change the start delay set by pressing the DELAY TIMER button .

Load Sensing – AUTOMATIC

If a wash programme is started even though there are only a few dishes in the upper and/or lower rack, an intelligent electronic system adjusts the amount of water and the duration of the wash programme to the number of dishes. By this means it is possible to wash only a few dishes quickly and economically. At half load (6 place settings), up to 2 litres of water and 0.2 kWh of electricity are saved.

Switching Off the Dishwasher

Only switch the dishwasher off when the multi-display indicates "0" remaining programme time.

 **1.** Press the ON/OFF button. The ON/OFF button indicator extinguishes.



Hot steam may escape from the appliance when opening the door immediately after the end of the programme. Therefore:

2. Open the door carefully.

Emptying the Dishwasher



- Hot dishes are sensitive to knocks. The dishes should therefore be allowed to cool down before removing them from the appliance.
- Leave the dishes in the dishwasher for approx. 15 minutes after the end of the programme so that they dry better and can cool down.
- First empty the lower rack, and then the upper rack. By using this procedure you will avoid any water that may be remaining in the upper rack, dripping onto the dishes in the lower rack and leaving water marks.

Care and Cleaning



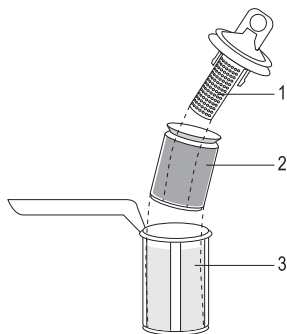
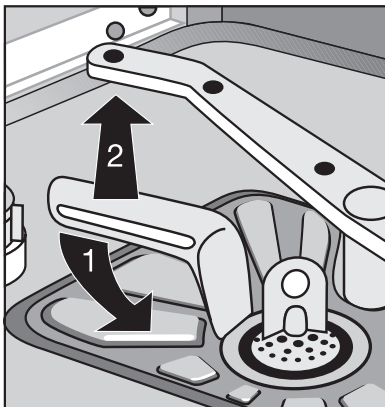
Do not under any circumstances use furniture care products or aggressive cleaners.

- If necessary, clean the controls only with a soft cloth and pure warm water.
- Occasionally check the internal containers, door seal, and water inlet for soiling, clean if necessary.

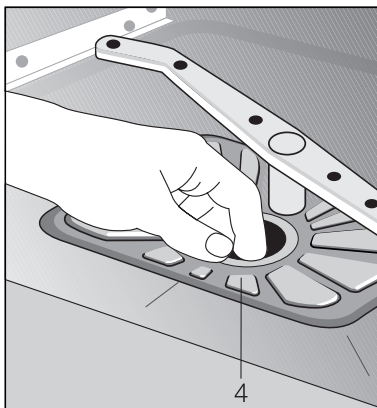
Cleaning the Filter

- i** The filters in the base of the washing compartment are to a large extent self-cleaning. Nevertheless the filters should be checked and cleaned from time to time. Dirty filters will degrade the washing result.

- 1.** Open the door, remove the lower rack.
- 2.** The dishwasher filter system comprises a coarse/fine filter, microfilter and a flat filter. Unlock the filter system using the handle on the microfilter, and remove.
- 3.** Turn the handle about 1/4 a turn anti-clockwise and remove.
- 4.** Take hold of the coarse/fine filter (1/2) by the handle with the hole and remove from the microfilter (3)
- 5.** Clean all filters thoroughly under running water.
- 6.** Remove the flat filter (4) from the base of the washing compartment and clean both faces thoroughly



- 7.** Put the flat filter back in the base of the washing compartment
- 8.** Place the coarse/fine filter in the microfilter and press together.
- 9.** Put the filter combination in place and lock by turning the handle clockwise to the stop. During this process ensure that the flat filter does not protrude above the base of the washing compartment.

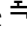
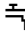


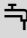
- !** Under no circumstances may the dishwasher be used without filters.

What to do, when ...

Try to rectify minor faults on the dishwasher with the aid of the instructions given here. If you call in customer service to resolve one of the malfunctions listed here, or rectify an error made in the operation of the appliance, the customer service engineer's visit is not free of charge, even during the period of guarantee.

...Error messages are displayed.

- If fault code **E2** is displayed on the multi-display or the  indicator is illuminated, you can probably rectify the fault yourself. After rectifying a **E2** fault and a fault related to the  indicator, press the button for the wash programme that has been started. The wash programme continues. If the fault code is displayed again, contact customer service.
- For all other faults, please contact customer service, stating the fault code.

Malfunction	Possible Cause	Remedy
The programme indicator for the selected programme is flashing and the  indicator is illuminated: there is no water running into the dishwasher.	Tap is blocked or furred with lime-scale.	Clean tap.
	The filter (where present) in the threaded hose fitting at the water inlet valve is blocked.	Clean the filter in the threaded hose fitting.
	The water inlet hose is not correctly laid.	Check hose installation.
Fault code E2 is displayed on the multi-display. The programme indicator for the selected wash programme is flashing.	The siphon is blocked.	Clean siphon.
	The water drain hose is not correctly laid.	Check hose installation.
Fault code E3 is displayed on the multi-display.	The leak prevention system has been triggered.	Close the tap and contact customer service.

...problems occur during use of the dishwasher.

Malfunction	Possible Cause	Remedy
The programme does not start.	The door of the dishwasher is not closed properly.	Shut the door.
	Mains plug is not plugged in.	Insert mains plug.
	House fuse is defective.	Replace fuse.
	In the case of dishwasher models with start delay timer: A start delay is selected.	If dishes are to be washed immediately cancel delay start timer.
Rust spots are visible in the washing compartment.	The washing compartment is made from rust-free stainless steel. Rust spots in the washing compartment are due to rust particles from external sources (rust particles from water pipes, pans, cutlery, etc.). Remove such spots with one of the stainless steel cleaners that are generally available on the market.	Only wash cutlery and dishes that are suitable for dishwasher use.
		Close the lid of the special salt container securely.
There is a whistling noise during washing.	The whistling is not a cause for concern.	Use a different brand of detergent.

...the wash results are not satisfactory.

The dishes are still dirty.

- The wrong wash programme was selected.
- The dishes were loaded in such a way that the wash water did not reach all items. The racks for the dishes must not be overloaded.
- The filter in the base of the washing compartment is dirty or incorrectly positioned.
- Detergent was not used or too little was used.
- In the case of scale deposits on the dishes: The special salt container is empty or the water softener is incorrectly adjusted.
- The drain hose is incorrectly laid.

The dishes are wet and dull.

- Rinse aid was not used.
- The rinse aid container is empty.

There are streaks, milky spots or a bluish coating on glasses and dishes.

- Lower rinse aid dosing.

There are dried water drops on the glasses and dishes.

- Increase rinse aid dosing.
- The detergent may be the cause. Contact the detergent manufacturer's customer advisor.

Technical Data

Capacity:	12 place settings including serving dishes
Permitted Water Pressure:	1-10 bar (=10-100 N/cm ² = 0.1-1.0 MPa)
Electrical Connection:	Information on the electrical connection is given on the rating plate on the inner edge of the dishwasher door on the right.
Dishwasher: Free-Standing Appliances	
Dimensions:	850 x 600 x 600 (H x W x D in mm)
Max. Weight:	54 Kg
Dishwashers that Can Be Integrated, Built-In Dishwashers	
Dimensions:	820 – 880 x 596 x 570 (H x W x D in mm)
Max. Weight:	50 Kg
Dishwashers that Can Be Fully Integrated	
Dimensions:	820 – 880 x 596 x 546 - 550 (H x W x D in mm)
Max. Weight:	50 Kg

CE This appliance conforms with the following EU Directives:

- 73/23/EWG dated 19. 02. 1973 – Low Voltage Directive
- 89/336/EWG dated 03. 05. 1989
(including Directive Amendment 92/31/EWG) – EMC Directive

Notes for Test Institutes

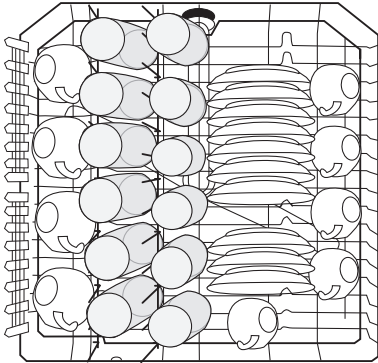
Testing in accordance with EN 60704 must be carried out with the appliance fully loaded and using the test programme (see Programme Table).

Tests in accordance with EN 50242 must be carried out when the salt dispenser and rinse aid container have been filled with salt and rinse aid respectively and using the test programme (see Programme Table).

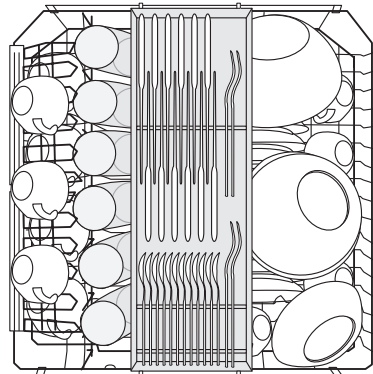
	Full Load: 12 place settings incl. serving dishes	Half Load: 6 place settings incl. serving dishes, leaving alternate positions free
Detergent Dosing:	5g + 25g (Type B)	20g (Type B)
Rinse Aid Setting:	4 (Type III)	4 (Type III)

Sample loading arrangements:

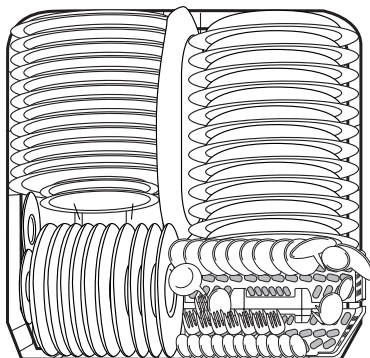
Upper basket without cutlery tray



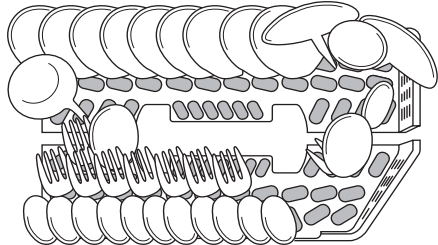
Upper basket with cutlery tray



Lower basket with cutlery basket



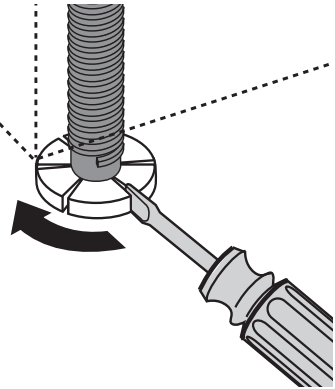
Cutlery basket



INSTALLATION AND CONNECTION INSTRUCTIONS

Installing the Dishwasher

- The dishwasher must be installed on a firm floor and adjusted to ensure that it is stable and level.
- To compensate for unevenness in the floor and to match the height of the appliance to that of surrounding units extend the threaded feet by unscrewing:
 - use a screwdriver.



- For built-in, integrated and fully integrated dishwashers, the rear feet should be adjusted from the front of the appliance using a screwdriver.
- The drain hose, inlet hose and mains cable must not be kinked or crushed when the dishwasher is in position.
- The dishwasher must also be screwed on tightly to the work surface or to the adjoining units. This is essential to ensure the dishwasher does not tip.

Dishwashers That Can Be Integrated

(see installation template supplied)



The door of the appliance can be fitted with a wooden furniture door with the following dimensions:

Width:	591 – 594 mm	
Thickness:	16 – 24 mm	
Height: (variable)	dependent on	<ul style="list-style-type: none"> - Recess height - Plinth height - The adjustment so that the unit matches the height of the adjoining units <p>The exact height of the adjoining units must be measured at the place of installation.</p>
Weight:	max. 8 kg	

Connecting the Dishwasher

Water Connection

The dishwasher is fitted with safety devices that prevent the wash water returning into the drinking water system and comply with the applicable plumbing regulations.

- The dishwasher can be connected to cold and hot water supplies up to max. 60 °C.
- The dishwasher **must not** be connected to open hot water appliances or instantaneous water heaters.

Permitted water pressure

Lowest permitted water pressure: 1 bar (=10 N/cm ² =100 kPa)	Consult your installer if the water pressure is less than 1 bar.
Highest permitted water pressure: 10 bar (=100 N/cm ² =1 MPa)	In the case of a water pressure greater than 10 bar, a pressure reduction valve must be used (available from your dealer).

Connect the inlet hose



The water inlet hose must not be kinked, crushed or entangled when it is being connected up.



Connect the threaded hose fitting (ISO 228-1:2000) on the water inlet hose to a tap with an external thread (3/4 inch). Tighten the threaded hose fitting **hand tight only**.



- In order that access to the tap in the kitchen is not limited by the use of the dishwasher, we recommend the installation of an additional tap, or fitting a two way adapter to the existing tap.
- If you need a longer water inlet hose than that supplied, VDE approved complete hose sets are to be used. These are available from your Customer Services.

i The following section is only applicable to dishwashers that have a safety valve on the threaded hose fitting for the tap:

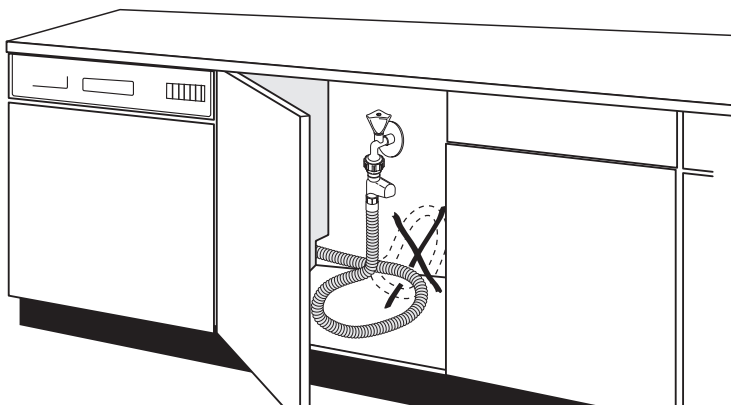
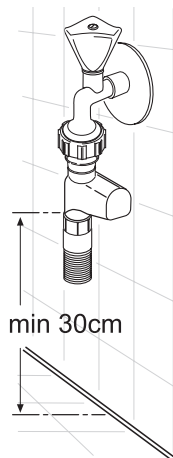
Water inlet hose with safety valve

After connecting the double-walled water inlet hose, the safety valve is next to the tap. Therefore the water inlet hose is only under pressure while the water is running. If the water inlet hose starts to leak during this operation, the safety valve cuts off the running water and the draining pump in the dishwasher is switched on.



Please take care when installing the water inlet hose:

- The distance between the bottom edge of the safety valve and the floor on which the dishwasher is standing must be at least 30 cm:
- The electrical cable for the safety valve is in the double-walled water inlet hose. Do not immerse the water inlet hose or the safety valve in water.
- If the water inlet hose or the safety valve is damaged, remove the mains plug immediately.
- A water inlet hose with safety valve must only be replaced by a specialist or Customer Services.
- Place the water inlet hose in such a way that it is never higher than the bottom edge of the safety valve.



Water drain

Drain hose

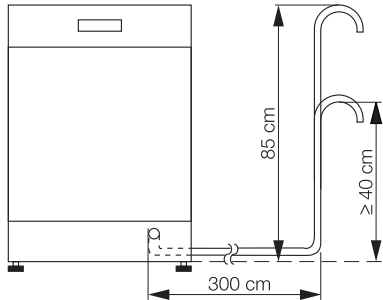


The drain hose must not be kinked, crushed or entangled.

- Connecting the drain hose:
 - Maximum permitted height: 0,85 metre.
 - Minimum required height 40 cm above the lower edge of the machine.

Extension hoses

- Extension hoses are available from your dealer or customer service. The internal diameter of the extension hoses must be 19 mm to ensure that the function of the appliance is not impeded.
- Extension hoses may be laid a maximum of 3 metres horizontally; the maximum permitted height for the connection for the drain hose is then 85 cm.



Sink outlet connection

- The outlet of the drain hose (\varnothing 19 mm) fits all commonly available sink outlet spigot types. The outer diameter of the spigot connection must be at least 15 mm.
- The drain hose must be fixed to the sink outlet connection using the hose clamp supplied.

Water drain into wash basins (only possible with free-standing appliances)

In the case that you wish to hang the drain hose in a wash basin, use a detachable hose elbow. You can obtain this from ATAG customer service.



1. Fit the elbow to the drain hose.
2. Secure the drain hose against sliding off the edge of the wash basin. Pass a piece of cord through the hose elbow and fix it to the wall or the tap.

Leak Prevention System

For protection from damage due to water leaks, the dishwasher is equipped with a leak prevention system, the AQUA CONTROL SYSTEM. In the event of a fault, the safety valve immediately interrupts the supply of water to the appliance and the drain pump switches on. By this means water can neither escape nor overflow. The remaining water in the appliance is automatically pumped out.



The AQUA CONTROL SYSTEM also works when the appliance is switched off – the appliance must however **not** be disconnected from the mains.

Electrical connection



In compliance with electric company technical requirements for mains connections, hard-wired connections to the mains may only be made by approved electricians.

When connecting the appliance, observe the German VDE regulations and, if applicable, any additional conditions required by your local electricity supplier. Following installation, live parts and live insulated wiring must not be accessible using a finger test in accordance with EN 60335/DIN VDE 0700.

Information on the electrical connection can be found on the rating plate on the right side of the inner edge of the dishwasher door. If the appliance has a change-over switch, the additional instructions on the change-over diagram in the mains connector box must be observed.

Prior to connecting ensure that the mains voltage and current rating at the site of installation match the nominal voltage and current rating given on the rating plate. The required fuse protection is also to be found on the rating plate.

To isolate the dishwasher from the mains, remove the mains plug.

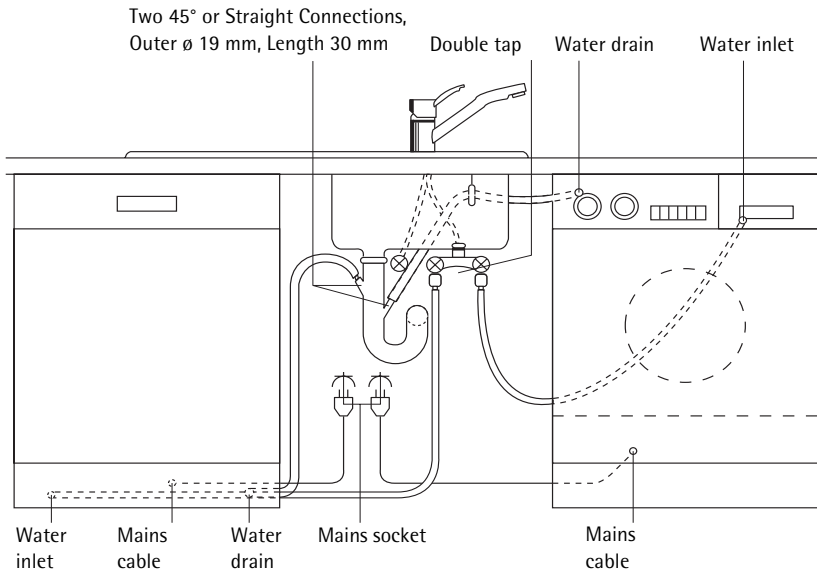
Important: The plug must still be accessible after the appliance has been installed.

If the appliance is hard-wired to the mains supply, then it must be safely isolated from the mains within the electrical installation with switches intended to ensure **all-pole(N,L1)** disconnection, shall be directly connected to the supply terminals and shall have a contact separation (fuses, cut outs, current trips or similar) of at least 3mm in each pole.

Connections

The water inlet and drain hoses, as well as the mains cable must be connected beside the dishwasher as there is insufficient space behind the appliance.

The plumbing and electrical installation example given below can only be regarded as a recommendation; the actual situation where the dishwasher is to be installed will define the exact installation (available connections, local electricity and water board regulations for connecting up appliances, etc.).



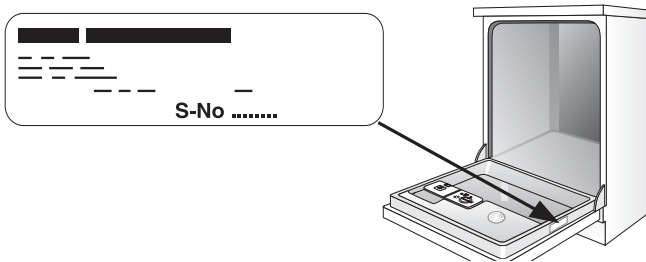
SERVICE

In the section "What to do, if..." the most important sources of faults that you can rectify yourself are summarised.

If, nevertheless, you call in customer service to resolve a problem listed in these instructions, or because of an error made in operating the appliance, the customer service engineer's visit is not free of charge, even during the warranty period.

If you can not find any information on a specific malfunction in these operating instructions, please contact customer service.

Please provide customer service the model number and the S No. (serial number), you can find these on the rating plate. The plate is on the inner edge of the door on the right.



So that you always have these numbers at hand, we recommend you to make a note of them here:

Model number :

S-No. :