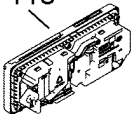


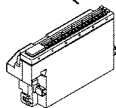
344



118



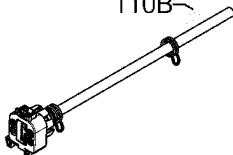
587A



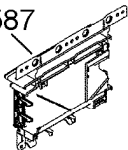
16



110B



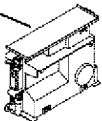
587



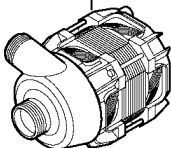
506



577



6



10

11



48

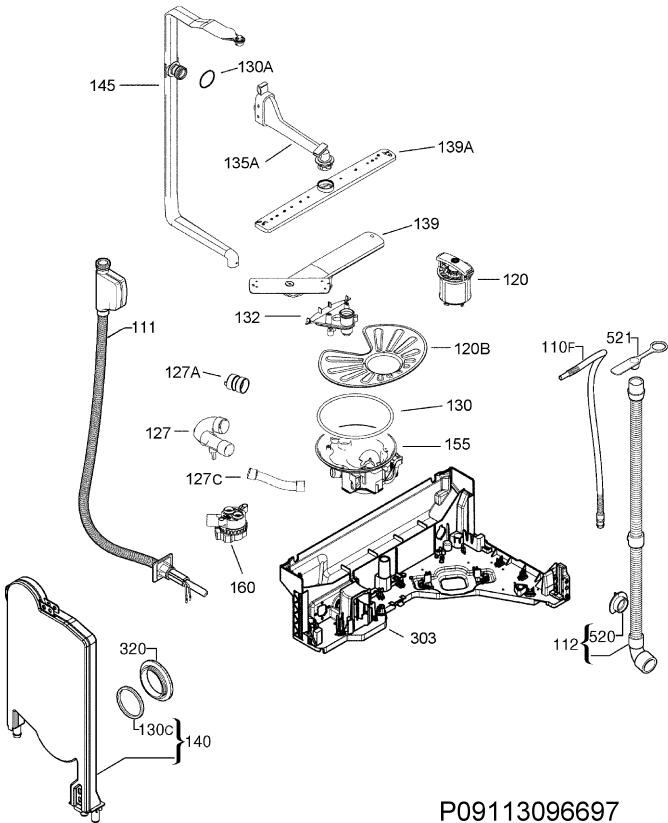


6A

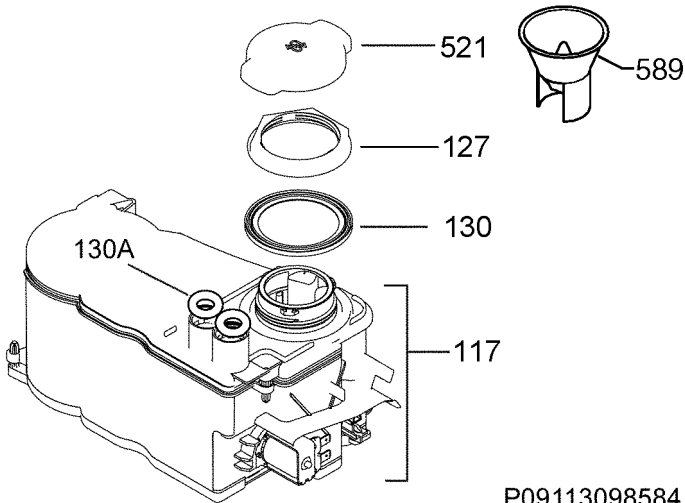


567





P09113096697



P09113098584

