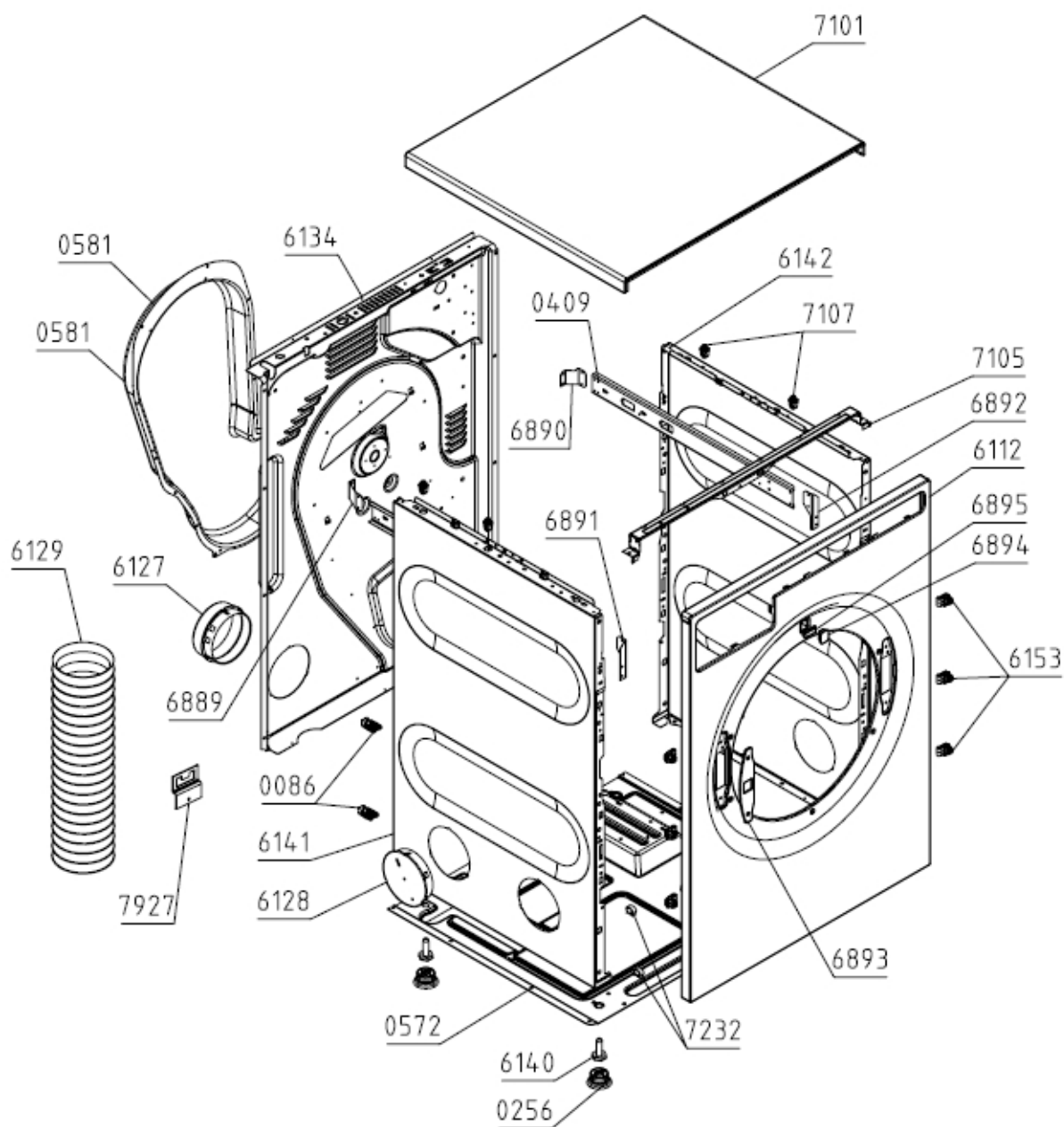


SPARE PARTS LIST

Type	Model	Art. No.	Brand name	Version	Service index
TD75.B180	T208V.W	576409	ASKO	26.6.2017	01

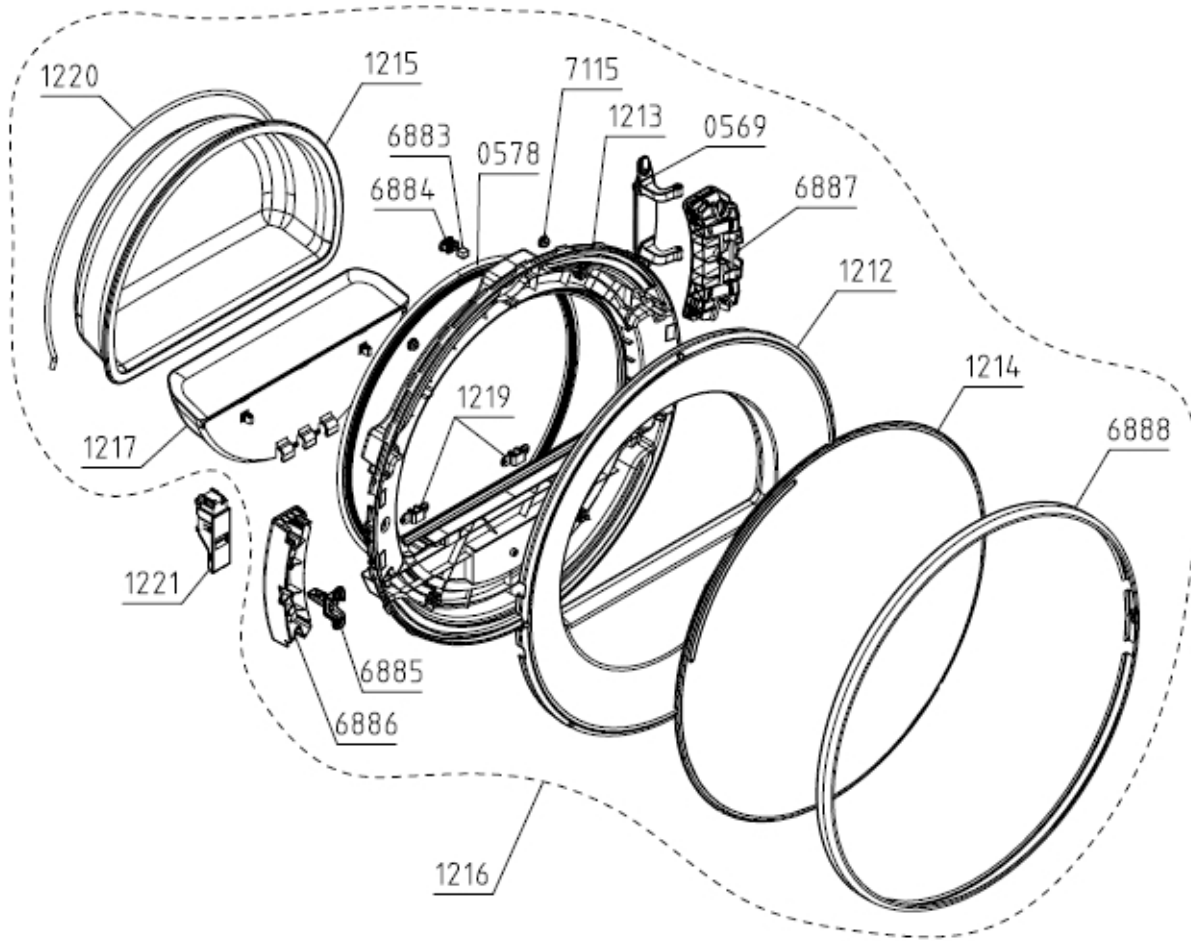
021733



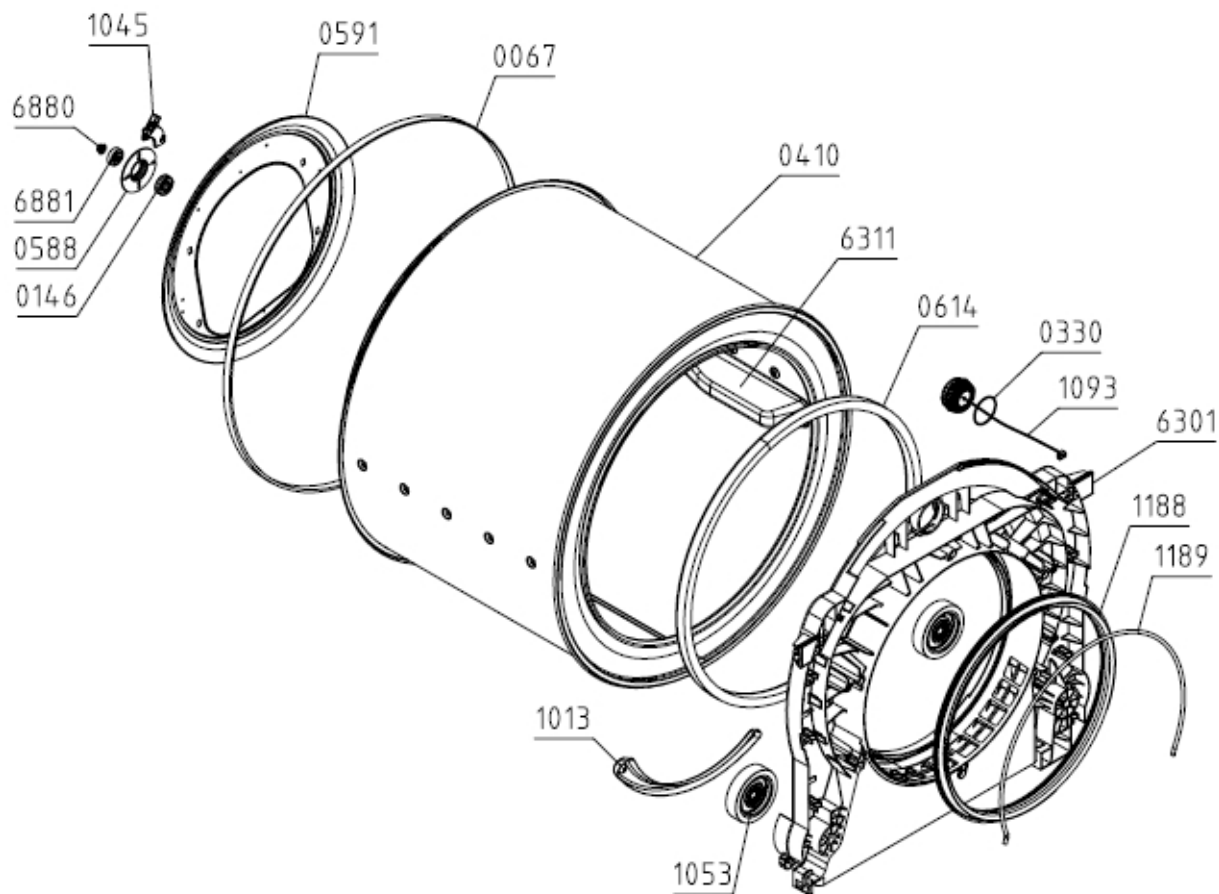
Position	Ident	Spare part description	Quantity	Price/pcs []	Validity	Asko
0086	547104	CLAMP PS	1	0		
0256	619601	FOOT ACCESSORY SP KPL AW012	2	0		

Position	Ident	Spare part description	Quantity	Price/pcs []	Validity	Asko
0409	290159	PROFILE SP/K	2	0		
0572	562035	DRYER BOTTOM SP/O TD-75 F	1	0		
0581	115203	REAR PANEL COVER	1	0		
6112	561899	FRONT PANEL 1B1 SP/O TD-75/85 LA070	1	0		
6127	414425	EVEHTING BELLOWS HOSE ACCESSORY UL4	1	0		
6128	414426	SIEVE COVER BK070	2	0		
6129	246653	EXHAUST HOSE D102 L3000	1	0		
6134	557502	REAR PANEL SP/O TD-75/85	1	0		
6140	434964	FOOT TD-70/80 KPL	4	0		
6141	561888	PANEL B TD-75 LA070	1	0		
6142	561887	PANEL A TD-75 LA070	1	0		
6153	413850	PANEL HOLDER TD-70	6	0		
6889	557444	PROFILE HOLDER TD-75 RL	1	0		
6890	557450	PROFILE HOLDER TD-75 RR	1	0		
6891	557440	PROFILE HOLDER TD-75/85 FL	1	0		
6892	557441	PROFILE HOLDER TD-75/85 FR	1	0		
6893	556989	DOOR LOCK COVER TD-75/85 070	1	0		
6894	556162	DOOR SWITCH HOLDER TD-75/85	1	0		
6895	563066	MAGNETIC SWITCH ASSY TD-75/85	1	0		
7101	503175	COVER WMD-70 LA070	1	0		
7105	537856	COVERSUPPORT TD-75/85	1	0		
7107	413707	COVER HOLDER WMD-70	4	0		
7232	252089	CABLE HOLDER SMALL	1	0		
7927	450808	KIT TIP GUARD ASSY WMD-80	1	0		

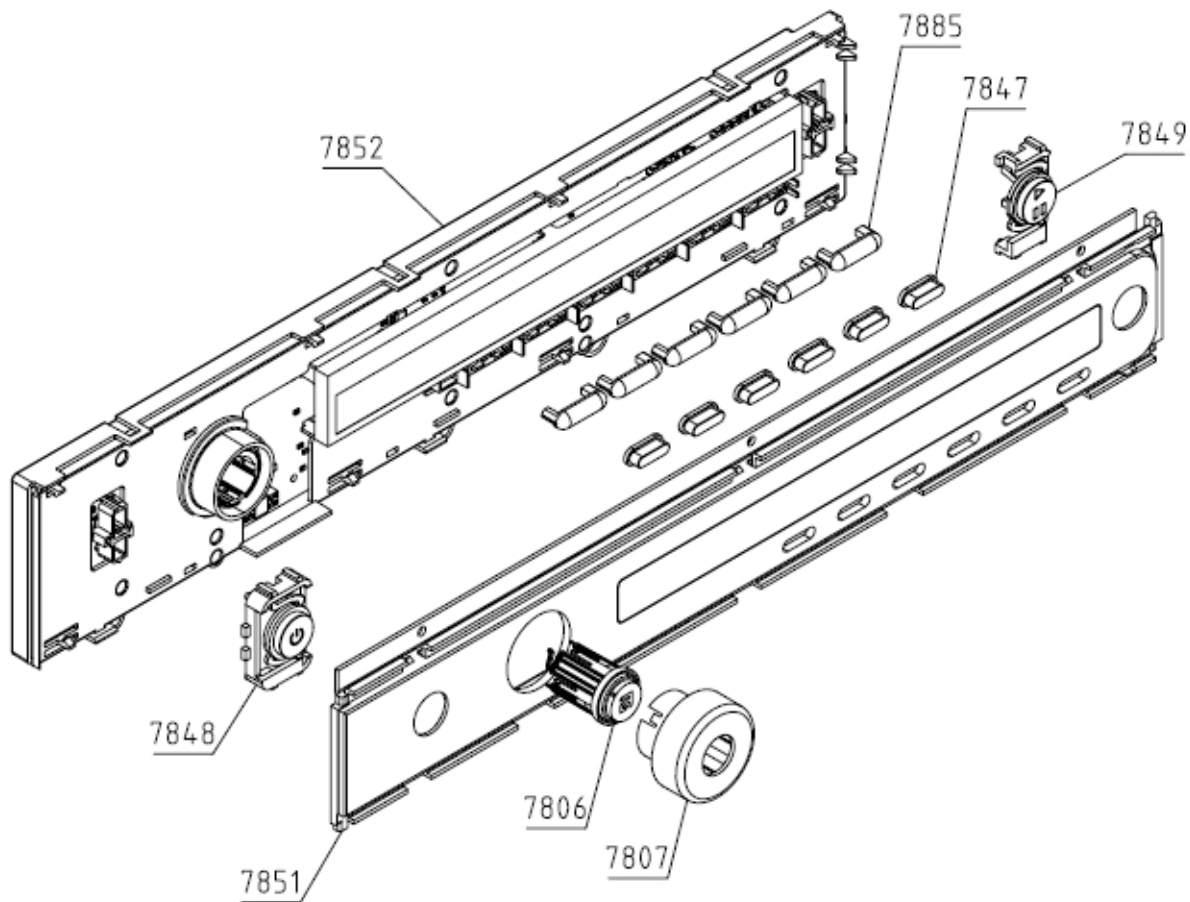
022731



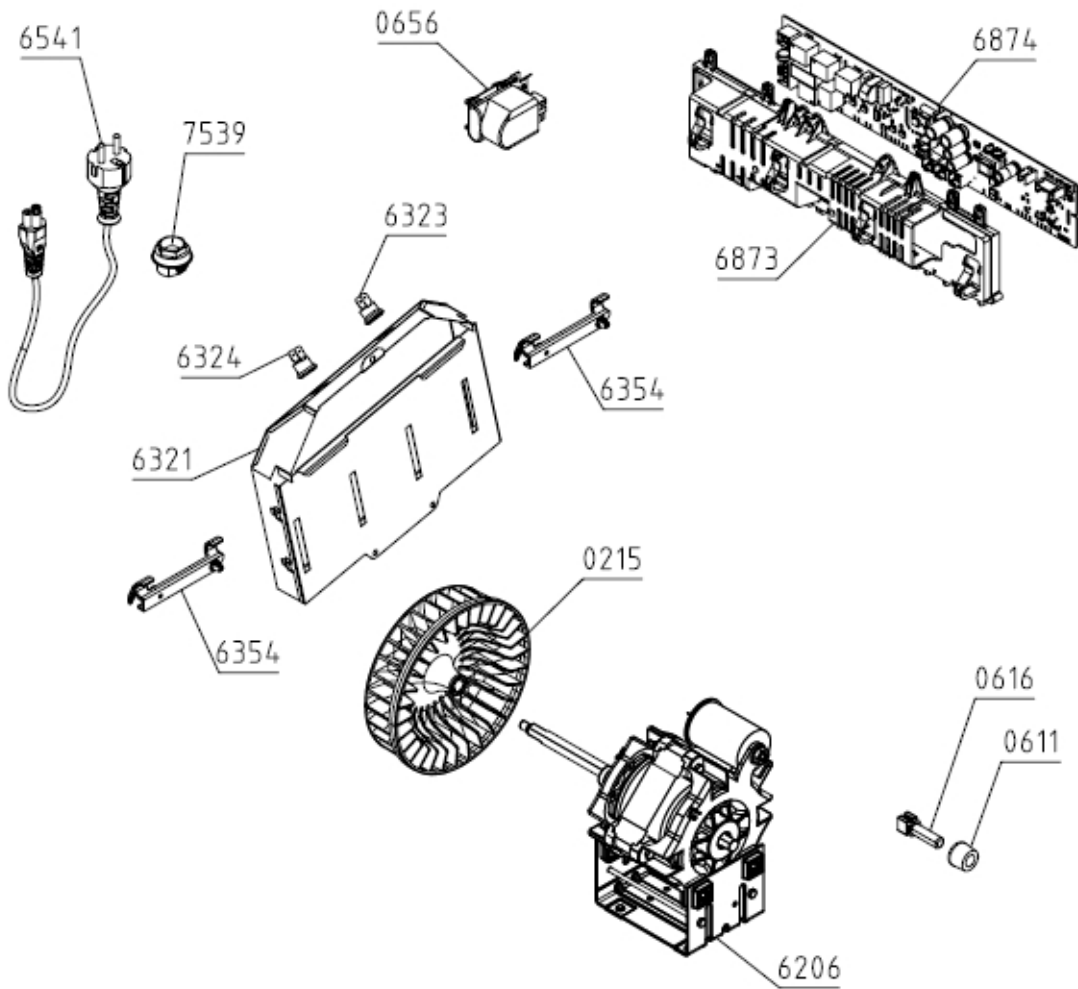
Position	Ident	Spare part description	Quantity	Price/pcs []	Validity	Asko
0569	555939	DOOR HINGE TD-75/85	1	0		
0578	594874	DOOR SEAL TD-75/85	1	0		
1212	623257	DOOR FRAME OUTER 070 TD-75.B SIGN	1	0		
1213	636572	DOOR FRAME INTERIOR TD-75/85	1	0		
1214	555919	DOOR COVER TD-75/85	1	0		
1215	500113	GLASS DOOR SP-15	1	0		
1216	623254	DOOR KPL TD-75.B 070 KPL	1	0		
1217	562854	FILTERING UNIT ASSY TD-75/85 070	1	0		
1219	500143	FILTER UNIT LATCH SP-15	2	0		
1220	518055	DOOR SEAL SP/P-15	1	0		
1221	561850	DOOR SWITCH TD-75/85 070	1	0		
6883	559064	DOOR SWITCH MAGNET TD-75/85	1	0		
6884	555942	DOOR SWITCH MAGNET HOLDER TD-75/85	1	0		
6885	555941	DOOR CATCH TD-75/85	1	0		
6886	555924	DOOR CATCH SEGMENT TD-75/85	1	0		
6887	555926	DOOR HINGE SEGMENT TD-75/85	1	0		
6888	555875	DOOR RING TD-75/85	1	0		
7115	252147	INSERT	4	0		



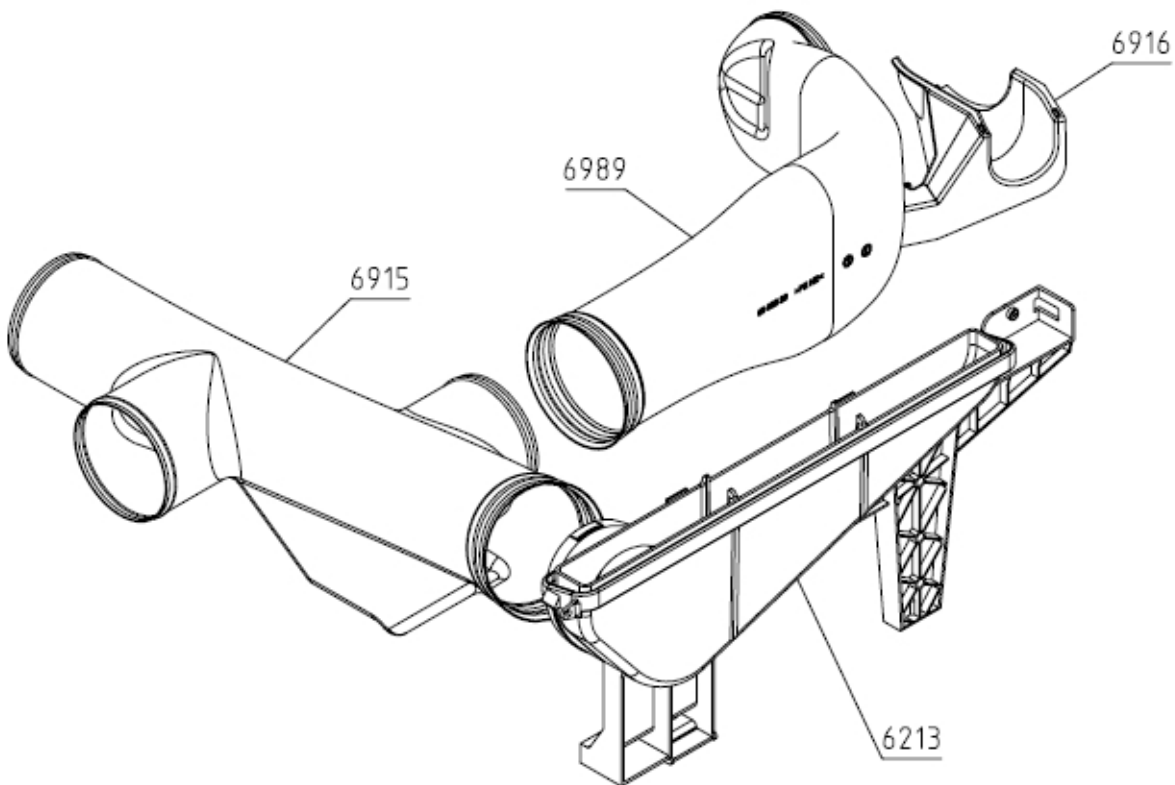
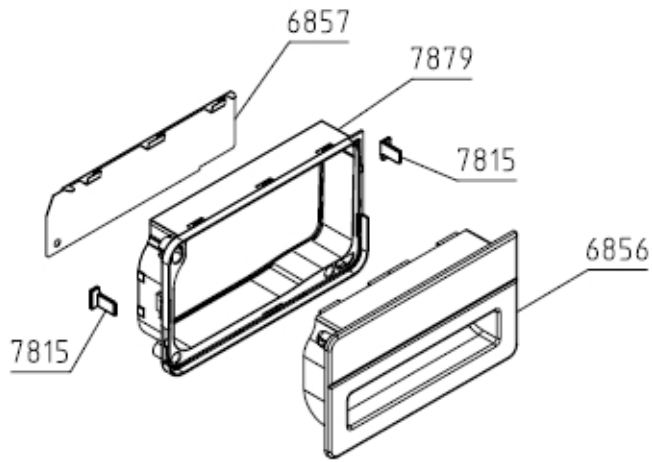
Position	Ident	Spare part description	Quantity	Price/pcs [€]	Validity	Asko
0067	104265	BELT SP/O NG 8EPH 1906	1	0		
0146	660207	BEARING SP 6001 2Z C3 170C	1	0		
0410	563712	DRUM TD-75 KPL	1	0		
0588	581147	BEARING HOUSING SP NG	1	0		
0591	468945	DRUM GASKET-REAR TEF.SP-14	1	0		
0614	366233	DRUM GASKET-FRONT SP-10	1	0		
1013	181018	ELECTRODE SP NG	1	0		
1045	561959	BRUSH GRAPHITE WITH SUPPORT TD-75/85	1	0		
1053	273637	SUPPORT WHEEL SP-09	2	0		
1188	429436	GASKET SP13	1	0		
1189	456149	GASKET SP-13	1	0		
6301	681030	AIR DIRECTER TD-75 KPL	1	0		
6311	563716	RIB TD-75/85	2	0		
6880	561468	NUT WITH TOOTHED FLANGE	1	0		
6881	559075	GRAPHITE BRUSH SLIDING RING TD-75/85	1	0		



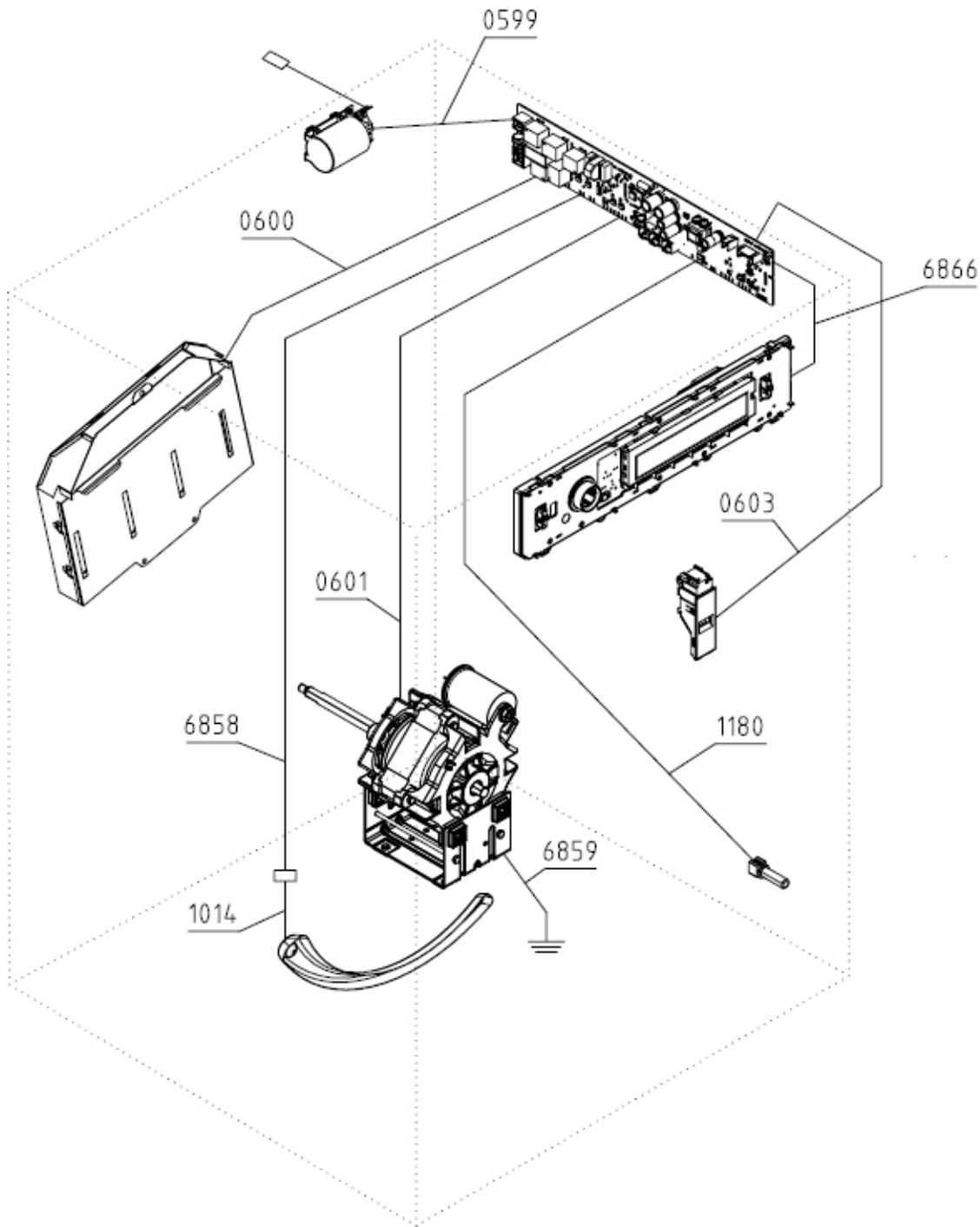
Position	Ident	Spare part description	Quantity	Price/pcs []	Validity	Asko
7806	561293	CONTROL KNOB INNER WMD-75.1B 070 UL4	1	0		
7807	561292	CONTROL KNOB WMD-75.1B 070 UL4	1	0		
7847	561294	FUNCTION KEY WMD-75.1B 070 UL4	6	0		
7848	561289	KEY-ON/OFF WMD-75.1B 070 UL4	1	0		
7849	561291	KEY-START/STOP WMD-75.1B 070 UL4	1	0		
7851	663690	CONTROL PANEL WMD-75.1B 070 S ASSY	1	0		
7852	575961	CONTROL UNIT TD-75/85.1B UL4	1	0		
7885	561264	FUNCTION KEY ABSORBER EPDM WMD-75/85	6	0		



Position	Ident	Spare part description	Quantity	Price/pcs []	Validity	Asko
0215	194415	FAN SPK-B PZ	1	0		
0611	581189	RUBBER SEAL NTC	1	0		
0616	581213	TEMPERATURE SENSOR .NTC EPCOS	1	0		
0656	670670	RFI-FILTER	1	0		
6206	562398	ELECTROMOTOR WELLING 50HZ SP/O TD-75	1	0		
6321	562796	HEATER 3000W 1F TD-75/85	1	0		
6323	350493	THERMOSTAT 110STC TD-70	1	0		
6324	371554	THERMOSTAT 135STC RR TD-70	1	0		
6354	414607	HEATER CABLE HOLDER TD-70	2	0		
6541	266189	CORD SET 16A EU 90C	1	0		
6873	561851	SUPPLY UNIT HOLDER TD/SP-15	1	0		
6874	563069	EN	1	0		
7539	413719	CABLE GROMMET Z13	1	0		



Position	Ident	Spare part description	Quantity	Price/pcs []	Validity	Asko
6213	559946	DUCT ATTACHMENT TD-75/85	1	0		
6856	571730	CONT.HANDLE SP/O ASSY SIGN TD-75.1B	1	0		
6857	565042	BLOCKING PLATE SP/O TD-75/85 LA070	1	0		
6915	557509	EN	1	0		
6916	429157	CONNECTION TUBE HOLDER TD-80	1	0		
6989	346889	CONNECTION TUBE D TD-70	1	0		
7815	629758	SEALING FRAME LOCK WMD-75/85	2	0		
7879	536176	SEALING FRAME WM-75/85	1	0		



Position	Ident	Spare part description	Quantity	Price/pcs []	Validity	Asko
0599	563949	WIRING HARNESS POWER SUPPLY TD-75 UL4	1	0		
0600	562228	WIRING HARNESS HEATER TD-75 UL4	1	0		
0601	562227	WIRING HARNESS ELECTROMOTOR TD-75 UL4	1	0		
0603	562382	WIRING HARNESS DOOR SWITCH SP/O TD-75	1	0		
1014	591015	CONDUCTOR	1	0		
1180	562380	WIRING HARNESS - NTC TD-75 UL4	1	0		

Position	Ident	Spare part description	Quantity	Price/pcs []	Validity	Asko
6858	562381	WIRING HARNESS HUMIDITY SENSOR SP/O	1	0		
6859	574366	WIRING HARNESS EM EARTHING TD-75	1	0		
6866	570964	WIRING HARNESS CONNECTION PB-UI TD-75	1	0		