



# Vriezer NoFrost, nis 178 cm

PVD25178N



## Specificaties

- Inhoud vriesruimte 212 liter
- Deur-op-deurmontage met SoftClose sluiting
- Geluidsniveau 39 dB(A)
- Energieklasse F
- Energieverbruik per jaar 295 kWh
- Aansluitwaarde 200 W

## Gebruikersgemak

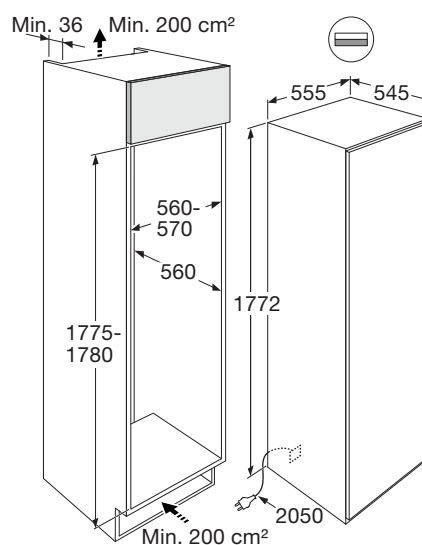
- Elektronische bediening met temperatuurweergave
- Draairichting deur omkeerbaar
- Heldere en energiezuinige LED verlichting
- 7 diepvrieslades, waarvan 1 XXL lade met 38 liter inhoud
- 7 plateaus van veiligheidsglas in vriesgedeelte
- 1 handig diepvriesvak bovenin
- FastFreeze: korte periode extra hard vriezen voor langer behoud van levensmiddelen
- Alarmsignaal bij deur te lang open, ook bij te hoge temperaturen
- Inverter compressor; extra stille en duurzame motor

## Schoonmaakgemak

- NoFrost: vriesgedeelte blijft ijsvrij, nooit meer ontdooien

## EAN nummer

- 8715393348951



# Product Information Sheet

COMMISSION DELEGATED REGULATION (EU) 2019/2016 with regard to energy labelling of refrigerating appliances

**Supplier's name or trade mark:** PELGRIM

**Supplier's address:** Pelgrim Service, Impact 83, 6921 RZ Duiven, NL

**Model identifier:** PVD25178N

**Type of refrigerating appliance:**

Low-noise appliance:	No	Design type:	built-in
Wine storage appliance:	No	Other refrigerating appliance:	Yes

**General product parameters:**

Parameter	Value	Parameter	Value
Overall dimensions (millimetre)	Height	1 772	Total volume (dm <sup>3</sup> or l)
	Width	555	
	Depth	545	
EEL	125	Energy efficiency class	F
Airborne acoustical noise emissions (dB(A) re 1 pW)	39	Airborne acoustical noise emission class	C
Annual energy consumption (kWh/a)	295	Climate class:	extended temperate, temperate, subtropical, tropical
Minimum ambient temperature (°C), for which the refrigerating appliance is suitable	10	Maximum ambient temperature (°C), for which the refrigerating appliance is suitable	43
Winter setting	No		

**Compartment Parameters:**

Compartment type	Compartment parameters and values			
	Compartment Volume (dm <sup>3</sup> or l)	Recommended temperature setting for optimised food storage (°C) These settings shall not contradict the storage conditions set out in Annex IV, Table 3	Freezing capacity (kg/24h)	Defrosting type (auto-defrost=A, manual defrost=M)
Pantry	No	-	-	-

Wine storage	No	-	-	-	-
Cellar	No	-	-	-	-
Fresh food	No	-	-	-	-
Chill	No	-	-	-	-
0-star or ice-making	No	-	-	-	-
1-star	No	-	-	-	-
2-star	No	-	-	-	-
3-star	No	-	-	-	-
4-star	Yes	212,0	-18	11,5	A
2-star section	No	-	-	-	-
Variable temperature compartment	-	-	-	-	-
<b>For 4-star compartments</b>					
Fast freeze facility	Yes				
<b>Light source parameters:</b>					
Type of light source	LED				
Energy efficiency class	E				
<b>Minimum duration of the guarantee offered by the manufacturer: 24 months</b>					
<b>Additional information:</b>					
Weblink to the manufacturer's website, where the information in point4(a) Annex of Commission Regulation (EU) 2019/2019 is found: <a href="https://www.pelgrim.nl">https://www.pelgrim.nl</a>					