



# Koelkast met vriesvak, nis 102 cm

PKVS2102



Groene  
keuze

## Specificaties

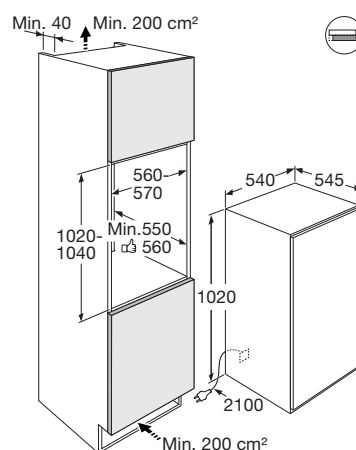
- Inhoud koelruimte 130 liter
- Inhoud vriesruimte 17 liter
- Sleepdeurmontage
- Geluidsniveau 38 dB(A)
- Energieklasse E
- Energieverbruik per jaar 148 kWh
- Aansluitwaarde: 105 W

## Gebruiksgemak

- Mechanische bediening
- Draairichting deur omkeerbaar
- Heldere en energiezuinige LED verlichting
- 4 deurbakken (met RVS look afwerking)
- 3 plateaus van veiligheidsglas: 2 in hoogte verstelbaar

## Schoonmaakgemak

- Automatisch ontdooien van koelgedeelte



## EAN nummer

- 8715393318640

# Product Information Sheet

COMMISSION DELEGATED REGULATION (EU) 2019/2016

**Supplier's name or trademark:** Pelgrim

**Supplier's address:** Impact 83, 6921 RZ Duiven, NL

**Model identifier:** PKVS2102

**Type of refrigerating appliance:**

Low-noise appliance:	No	Design type:	built-in
Wine storage appliance:	No	Other refrigerating appliance:	Yes

**General product parameters:**

Parameter	Value	Parameter	Value
Overall dimensions (millimetre)	Height	1020	Total volume (dm <sup>3</sup> or l)
	Width	540	
	Depth	545	
EEl	100	Energy efficiency class	E
Airborne acoustical noise emissions (dB(A) re 1 pW)	38	Airborne acoustical noise emission class	C
Annual energy consumption (kWh/a)	148	Climate class:	temperate
Minimum ambient temperature (°C), for which the refrigerating appliance is suitable	16	Maximum ambient temperature (°C), for which the refrigerating appliance is suitable	32
Winter setting	Yes		

**Compartment Parameters:**

Compartment type	Compartment parameters and values				
	Compartment volume (dm <sup>3</sup> or l)	Recommended temperature setting for optimised food storage (°C) These settings shall not contradict the storage conditions set out in Annex IV, Table 3	Freezing capacity (kg/24h)	Defrosting type (auto-defrost=A, manual defrost=M)	
Pantry	No	-	-	-	
Wine storage	No	-	-	-	
Cellar	No	-	-	-	
Fresh food	Yes	130	4	A	
Chill	No	-	-	-	
0-star or ice-making	No	-	-	-	

1-star	No	-	-	-	-
2-star	No	-	-	-	-
3-star	No	-	-	-	-
4-star	Yes	16.7	-18	2.6	M
2-star section	No	-	-	-	-
Variable temperature compartment	-	-	-	-	-
<b>For 4-star compartments</b>					
Fast freeze facility			Yes		
<b>Light source parameters:</b>					
Type of light source			Lighting technology used: LED; Non-directional or directional: NDLS; Mains or non-mains: MLS; Connected light source (CLS): No; Colour-tuneable light source: No; Envelope: -; High luminance light source: No; Anti-glare shield: No; Dimmable: No		
Energy efficiency class			F		
<b>Minimum duration of the guarantee offered by the manufacturer:</b> 24 months					
<b>Additional information:</b>					
<b>Weblink to the manufacturer's website, where the information in point4(a) Annex of Commission Regulation (EU) 2019/2019 is found:</b> <a href="http://www.pelgrim.nl">http://www.pelgrim.nl</a>					