



Koelkast met vriesvak, nis 88 cm

PKVS2088



Groene
keuze

Specificaties

- Inhoud koelruimte 104 liter
- Inhoud vriesruimte 17 liter
- Sleepdeurmontage
- Geluidsniveau 38 dB(A)
- Energieklasse E
- Energieverbruik per jaar 148 kWh
- Aansluitwaarde: 134 W

Gebruiksgemak

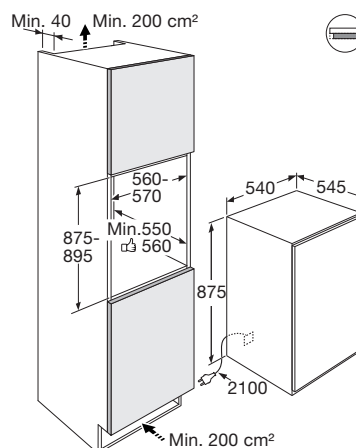
- Mechanische bediening
- Draairichting deur omkeerbaar
- Heldere en energiezuinige LED verlichting
- 3 deurbakken (met RVS look afwerking)
- 3 plateaus van veiligheidsglas: 2 in hoogte verstelbaar

Schoonmaakgemak

- Automatisch ontdooien van koelgedeelte

EAN nummer

- 8715393318541



Product Information Sheet

COMMISSION DELEGATED REGULATION (EU) 2019/2016

Supplier's name or trademark: Pelgrim

Supplier's address: Impact 83, 6921 RZ Duiven, NL

Model identifier: PKVS2088

Type of refrigerating appliance:

Low-noise appliance:	No	Design type:	built-in
Wine storage appliance:	No	Other refrigerating appliance:	Yes

General product parameters:

Parameter	Value	Parameter	Value
Overall dimensions (millimetre)	Height	875	Total volume (dm ³ or l)
	Width	540	
	Depth	545	
EEl	100	Energy efficiency class	E
Airborne acoustical noise emissions (dB(A) re 1 pW)	38	Airborne acoustical noise emission class	C
Annual energy consumption (kWh/a)	148	Climate class:	temperate
Minimum ambient temperature (°C), for which the refrigerating appliance is suitable	16	Maximum ambient temperature (°C), for which the refrigerating appliance is suitable	32
Winter setting	No		

Compartment Parameters:

Compartment type	Compartment parameters and values				
	Compartment volume (dm ³ or l)	Recommended temperature setting for optimised food storage (°C) These settings shall not contradict the storage conditions set out in Annex IV, Table 3	Freezing capacity (kg/24h)	Defrosting type (auto-defrost=A, manual defrost=M)	
Pantry	No	-	-	-	-
Wine storage	No	-	-	-	-
Cellar	No	-	-	-	-
Fresh food	Yes	103.9	4	-	A
Chill	No	-	-	-	-
0-star or ice-making	No	-	-	-	-

1-star	No	-	-	-	-
2-star	No	-	-	-	-
3-star	No	-	-	-	-
4-star	Yes	16.7	-18	2.6	M
2-star section	No	-	-	-	-
Variable temperature compartment	-	-	-	-	-
For 4-star compartments					
Fast freeze facility			No		
Light source parameters:					
Type of light source			Lighting technology used: LED; Non-directional or directional: NDLS; Mains or non-mains: MLS; Connected light source (CLS): No; Colour-tuneable light source: No; Envelope: -; High luminance light source: No; Anti-glare shield: No; Dimmable: No		
Energy efficiency class			F		
Minimum duration of the guarantee offered by the manufacturer: 24 months					
Additional information:					
Weblink to the manufacturer's website, where the information in point4(a) Annex of Commission Regulation (EU) 2019/2019 is found: http://www.pelgrim.nl					