

Onderbouw koelkast met vriesvak

Type: PKVO3082



Specificaties

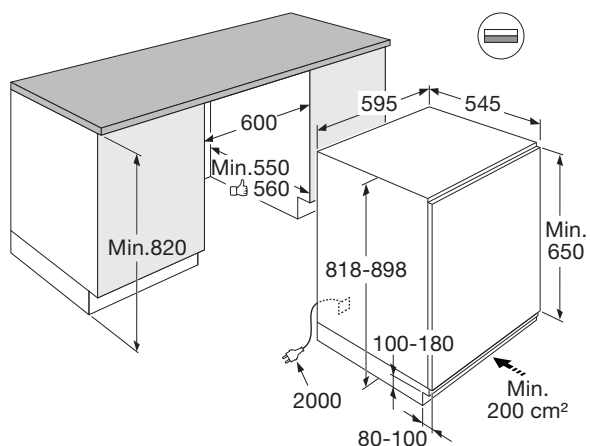
- Inhoud koelruimte 104 liter
- Inhoud vriesruimte 17 liter
- Deur-op-deur montage
- Geluidsniveau 38 dB(A)
- Energieklasse E
- Energieverbruik per jaar 148 kWh/y
- Aansluitwaarde: 90 W

Gebruikersgemak

- Elektronische bediening met temperatuurweergave
- Draairichting deur omkeerbaar
- Helderere en energiezuinige LED verlichting
- 2 deurbakken
- 3 plateaus van veiligheidsglas: 2 in hoogte verstelbaar
- SuperCool / FastFreeze: korte periode extra hard koelen of vriezen voor langer behoud van levensmiddelen
- Alarmsignaal bij deur te lang open

Schoonmaakgemak

- Automatisch ontdooien van koelgedeelte



EAN nummer: 8715393352811

Product Information Sheet

COMMISSION DELEGATED REGULATION (EU) 2019/2016 with regard to energy labelling of refrigerating appliances

Supplier's name or trade mark: Pelgrim

Supplier's address: Pelgrim, Impact 83, 6921 RZ Duiven, NL

Model identifier: PKVO3082

Type of refrigerating appliance:

Low-noise appliance:	No	Design type:	built-in
Wine storage appliance:	No	Other refrigerating appliance:	Yes

General product parameters:

Parameter	Value	Parameter	Value
Overall dimensions (millimetre)	Height	898	Total volume (dm ³ or l)
	Width	595	
	Depth	545	
EEL	100	Energy efficiency class	E
Airborne acoustical noise emissions (dB(A) re 1 pW)	38	Airborne acoustical noise emission class	C
Annual energy consumption (kWh/a)	148	Climate class:	extended temperate, temperate, subtropical
Minimum ambient temperature (°C), for which the refrigerating appliance is suitable	10	Maximum ambient temperature (°C), for which the refrigerating appliance is suitable	38
Winter setting	No		

Compartment Parameters:

Compartment type	Compartment parameters and values			
	Compartment Volume (dm ³ or l)	Recommended temperature setting for optimised food storage (°C) These settings shall not contradict the storage conditions set out in Annex IV, Table 3	Freezing capacity (kg/24h)	Defrosting type (auto-defrost=A, manual defrost=M)

Pantry	No	-	-	-	-
Wine storage	No	-	-	-	-
Cellar	No	-	-	-	-
Fresh food	Yes	104,0	4	-	A
Chill	No	-	-	-	-
0-star or ice-making	No	-	-	-	-
1-star	No	-	-	-	-
2-star	No	-	-	-	-
3-star	No	-	-	-	-
4-star	Yes	17,0	-18	2,0	M
2-star section	No	-	-	-	-
Variable temperature compartment	-	-	-	-	-
For 4-star compartments					
Fast freeze facility			Yes		
Light source parameters:					
Type of light source			LED		
Energy efficiency class			G		
Minimum duration of the guarantee offered by the manufacturer: 24 months					
Additional information:					
Weblink to the manufacturer's website, where the information in point4(a) Annex of Commission Regulation (EU) 2019/2019 is found: https://www.pelgrim.nl/					