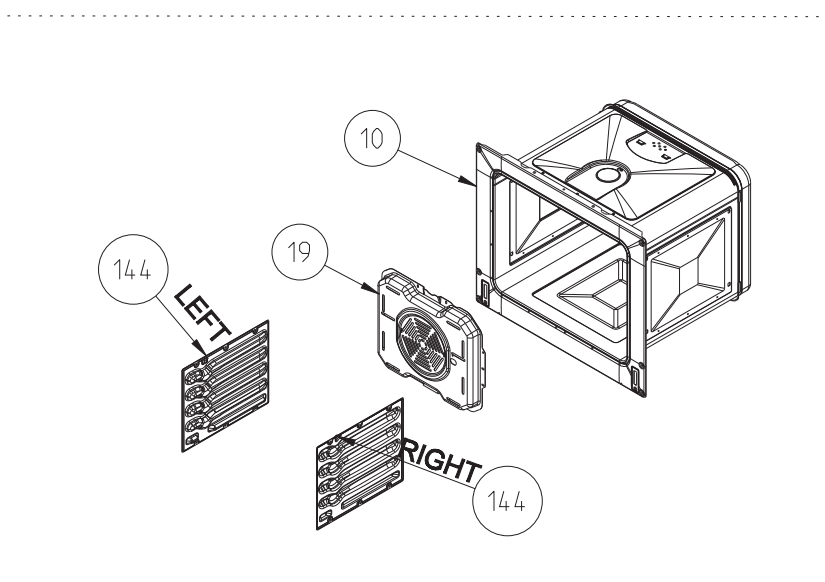
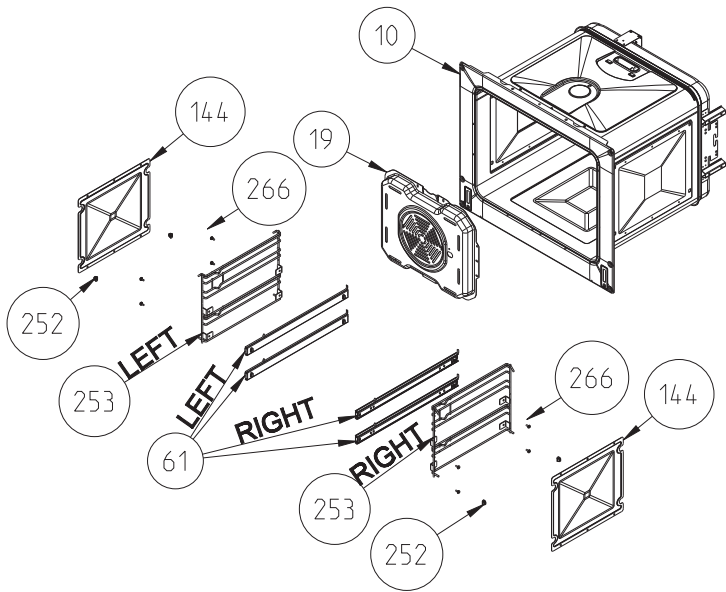


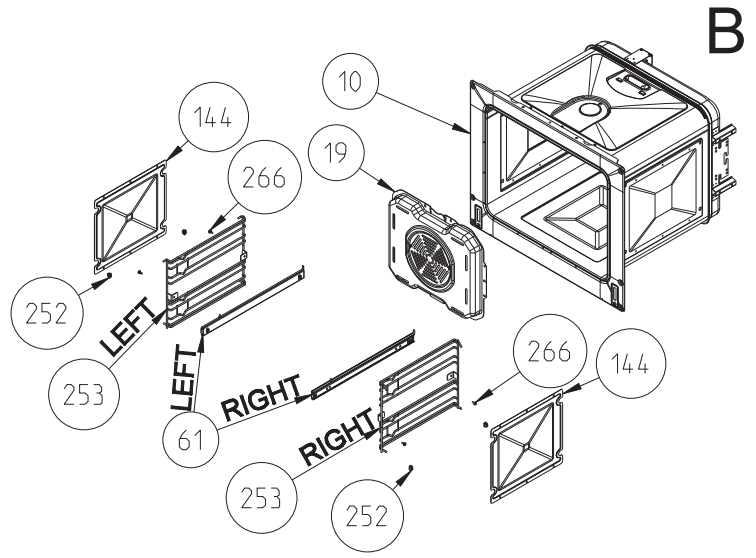
WIRE SHELF CAVITY ASSEMBLY WITH / WITHOUT CATALYTIC PANEL (OPTIONAL)



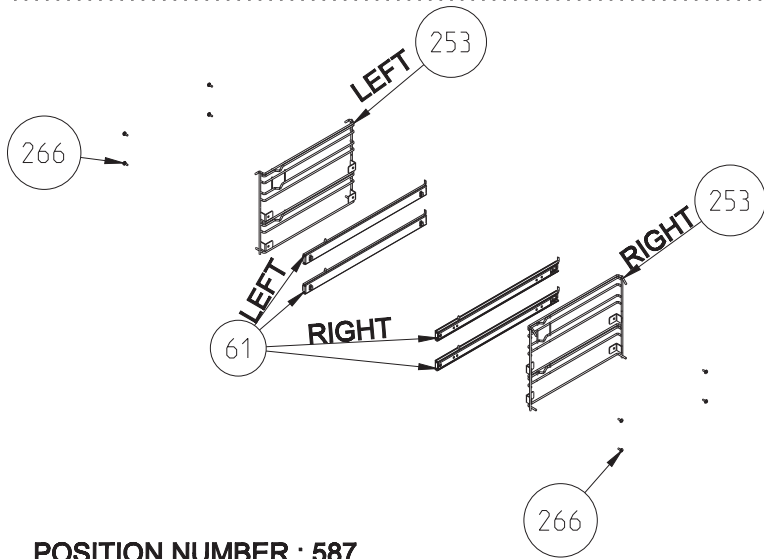
CAVITY ASSEMBLY WITH CATALYTIC SHELF (OPTIONAL)



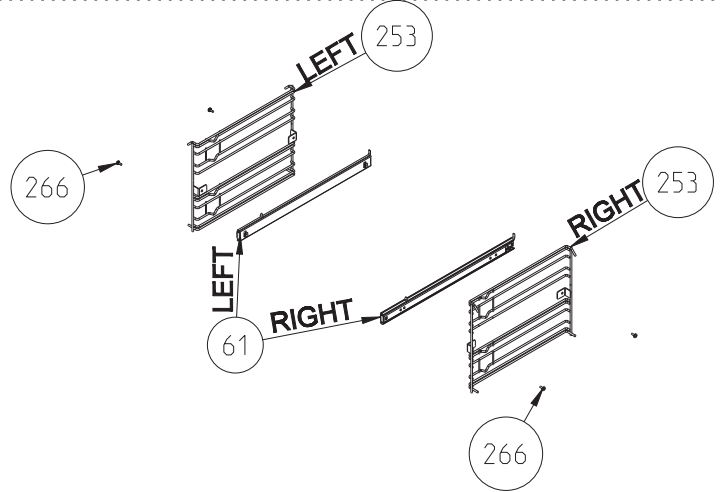
**WIRE SHELF CAVITY ASSEMBLY  
WITH/ WITHOUT CATALYTIC PANEL  
OPTIONAL:DOUBLE TELESCOPIC RAIL (R / L)**



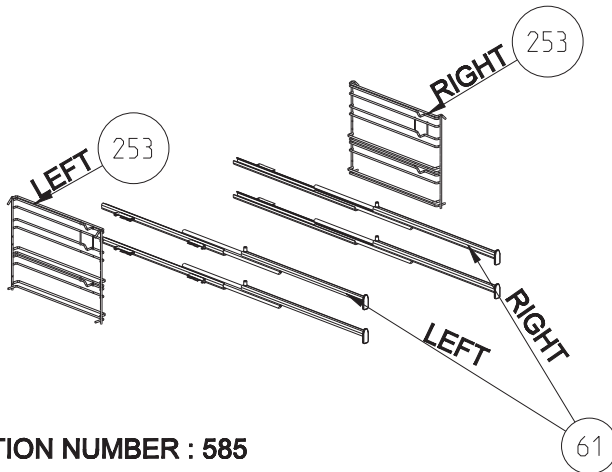
**WIRE SHELF CAVITY ASSEMBLY  
WITH/ WITHOUT CATALYTIC PANEL  
OPTIONAL:TELESCOPIC RAIL (R / L)**



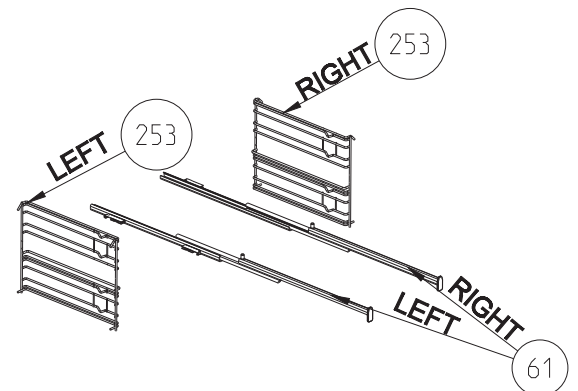
**POSITION NUMBER : 587  
WIRE SHELF  
OPTIONAL:DOUBLE TELESCOPIC RAIL (R / L) GROUP**



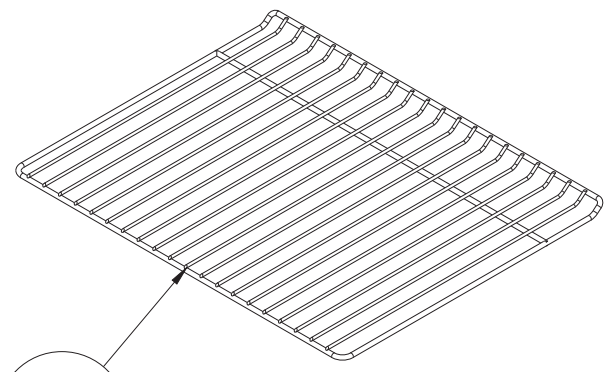
**POSITION NUMBER :588  
WIRE SHELF  
OPTIONAL: SINGLE TELESCOPIC RAIL (R / L) GROUP**



**POSITION NUMBER : 585  
WIRE SHELF  
OPTIONAL:DOUBLE TELESCOPIC RAIL (R / L) GROUP**



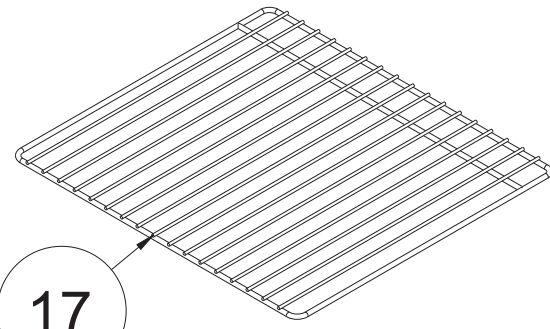
**POSITION NUMBER: 586  
WIRE SHELF  
OPTIONAL: SINGLE TELESCOPIC RAIL (R / L) GROUP**



17

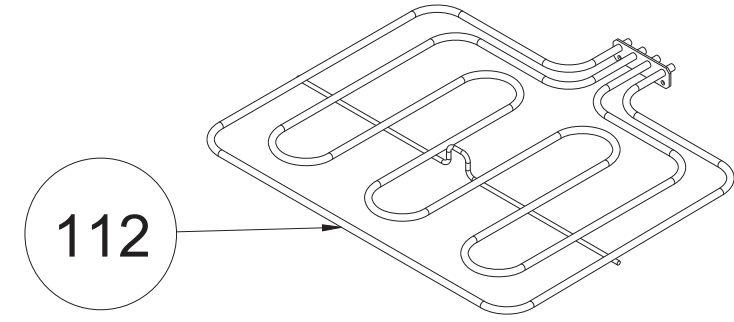
LOCKED

GRID ( OPTIONAL )



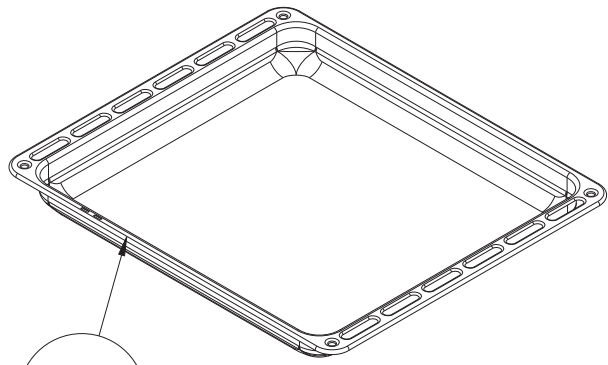
17

W. TELESCOPIC RAIL



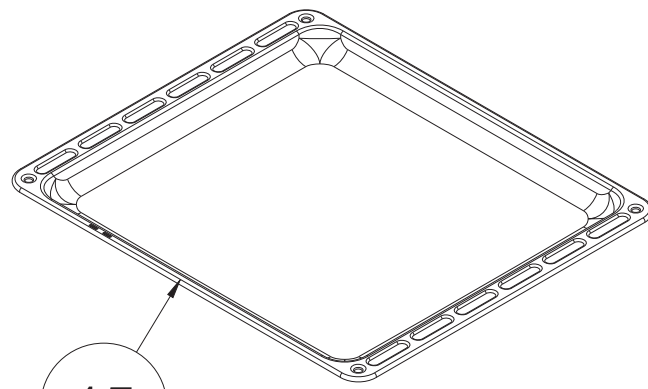
112

TOP AND GRILL HEATING ELEMENT ( OPTIONAL )



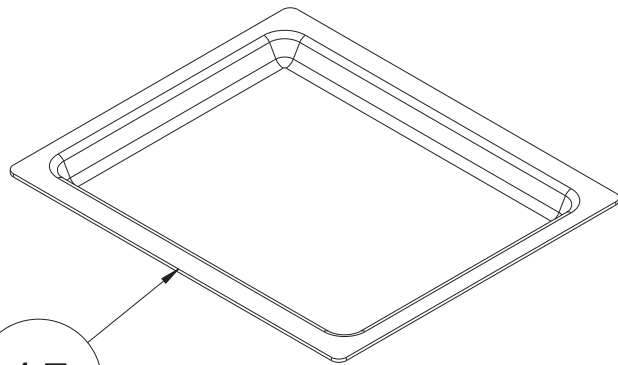
15

DEEP



15

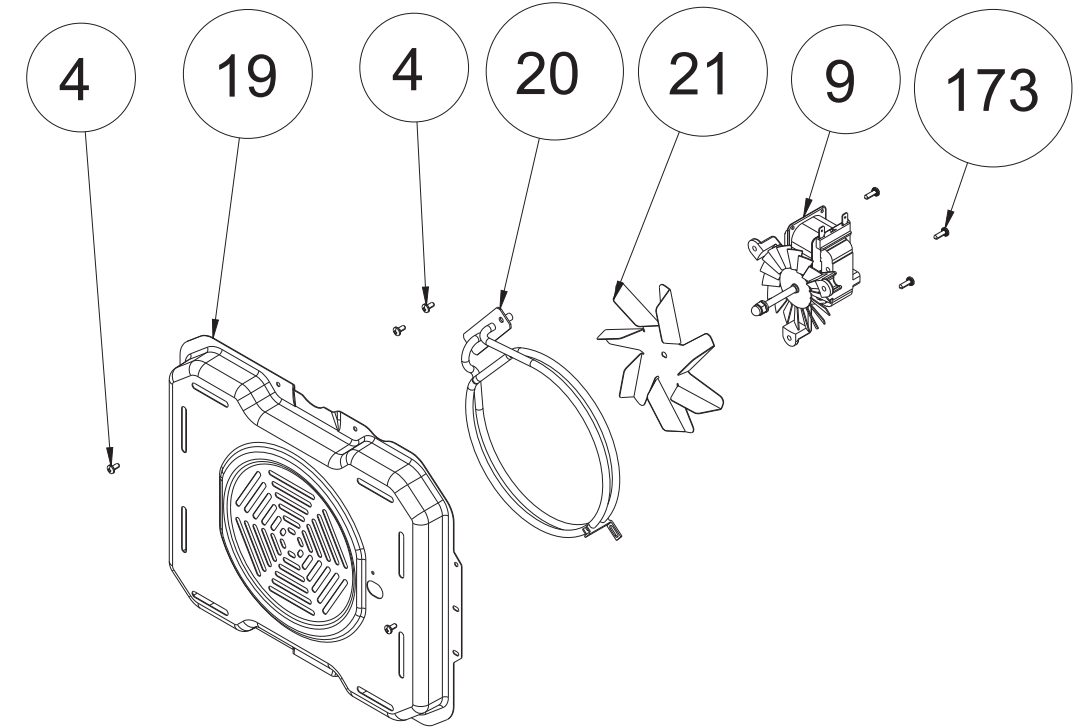
SHALLOW



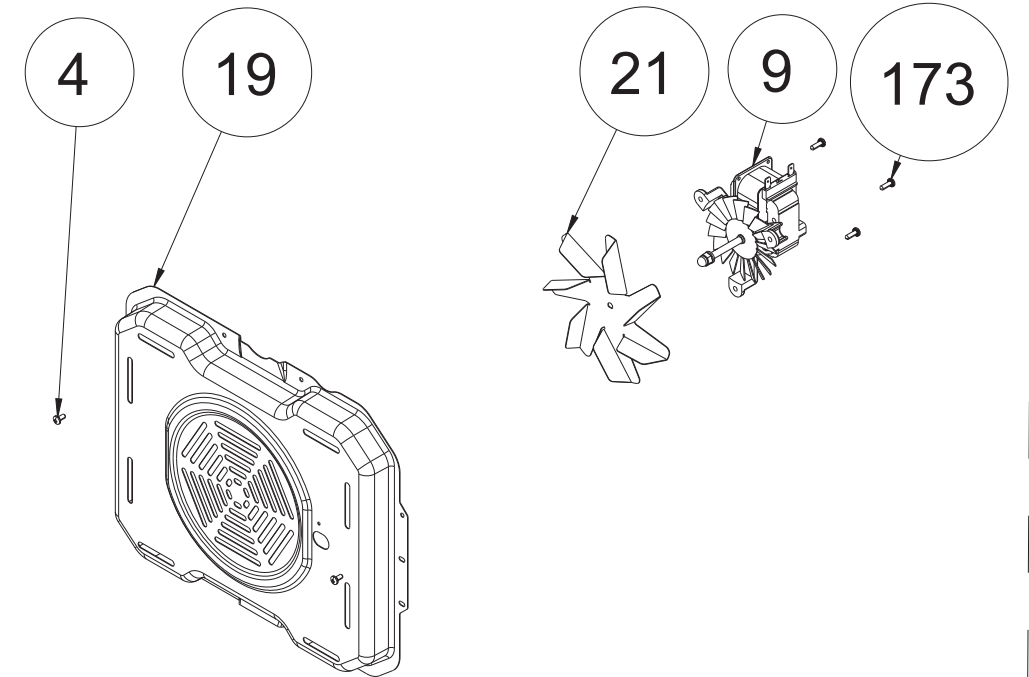
15

GLASS

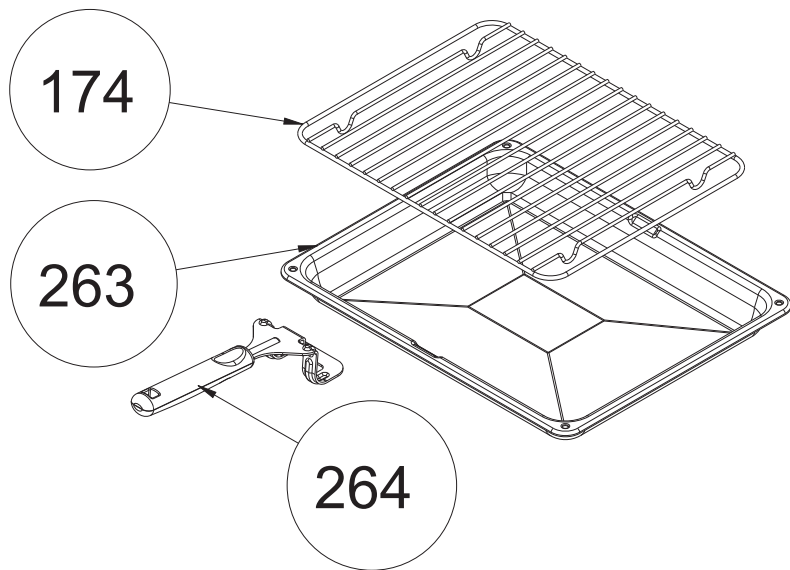
TRAYS ( OPTIONAL )



RING HEATING ELEMENT WITH FAN ( OPTIONAL )



( FAN COVER/ FAN IMPELLER( 6 WINGS ) / FAN MOTOR ) ( OPTIONAL )

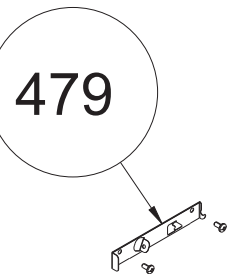


174

263

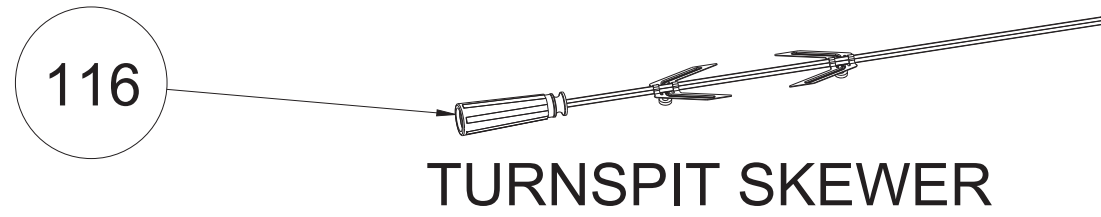
264

GRILL PAN AND HANDLE SET ( TRAY SET FOR GRILL ) - POSITION NO 265 ( OPTIONAL )



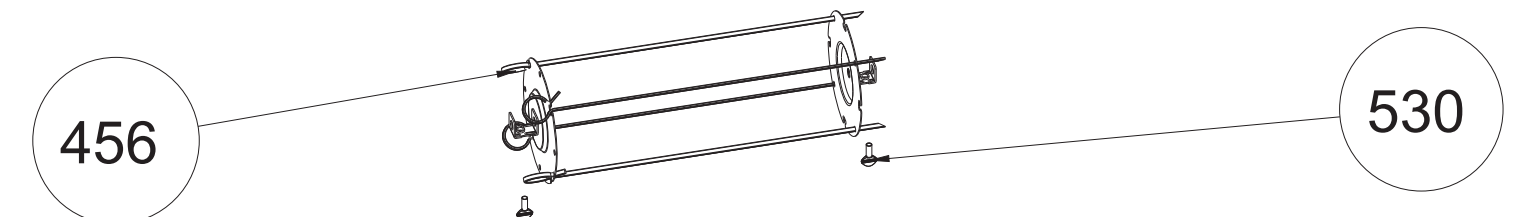
479

THERMIST BULB HOLDER/BRACKET



116

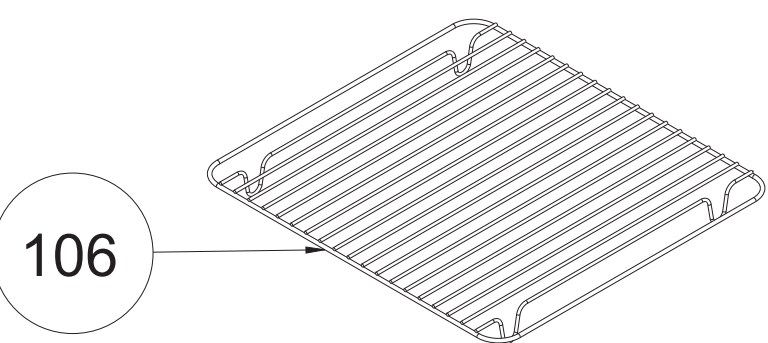
TURNSPIT SKEWER



456

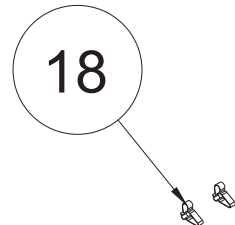
530

SHISH KEBAB ACCESSORY ( OPTIONAL )

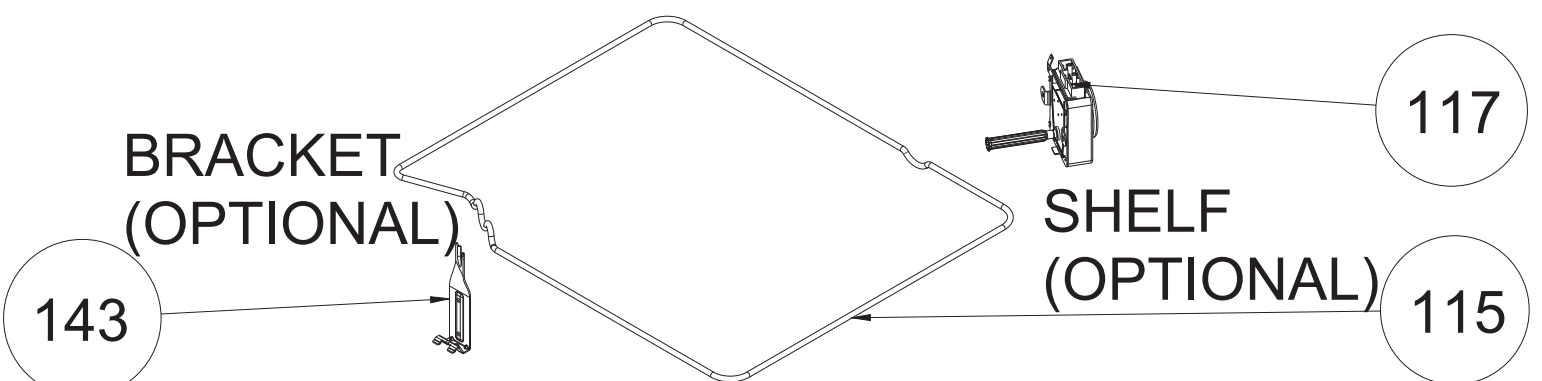


106

DEEP TRAY GRID ( OPTIONAL )



18



143

117

115

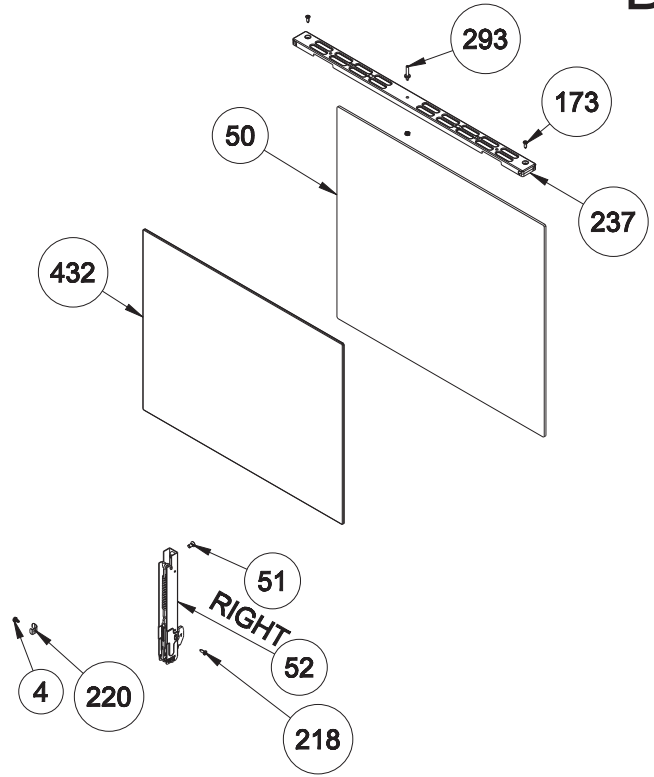
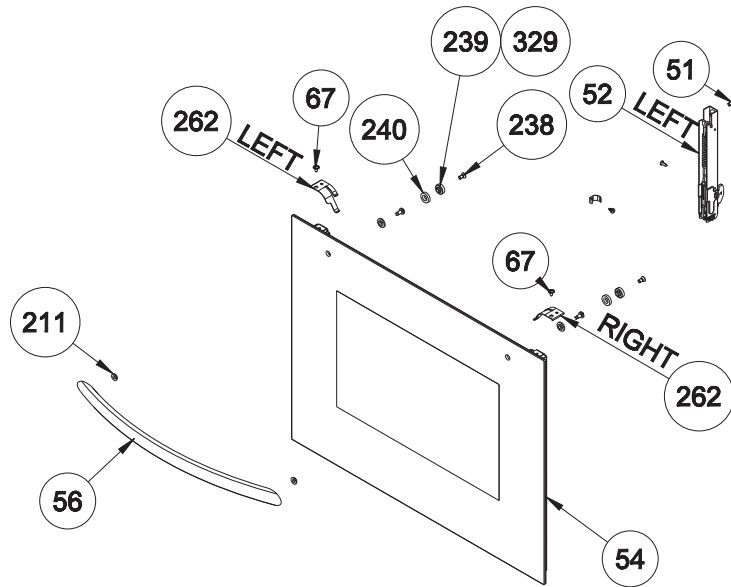
BRACKET ( OPTIONAL )

SHELF ( OPTIONAL )

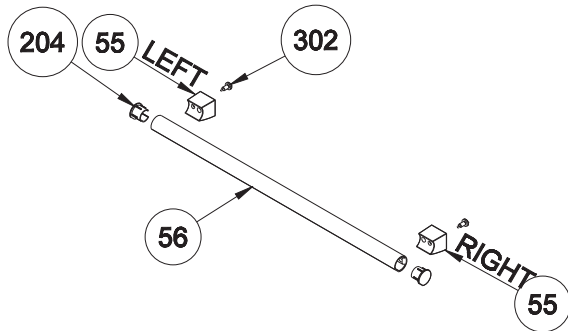
TURNSPIT ( OPTIONAL )

**POSITION  
NUMBER :377  
(DOOR)**

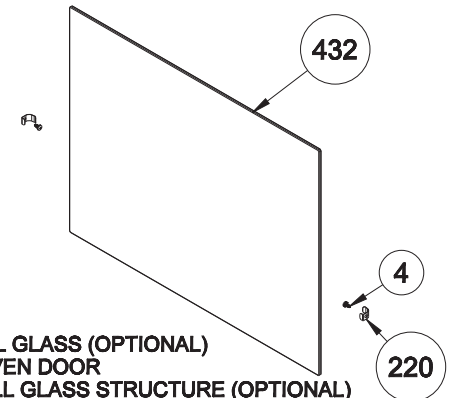
**D**



**Note :**  
220,239,240,432 is for Removable Third Glass Versions  
262,67 is for Removable Glass Versions



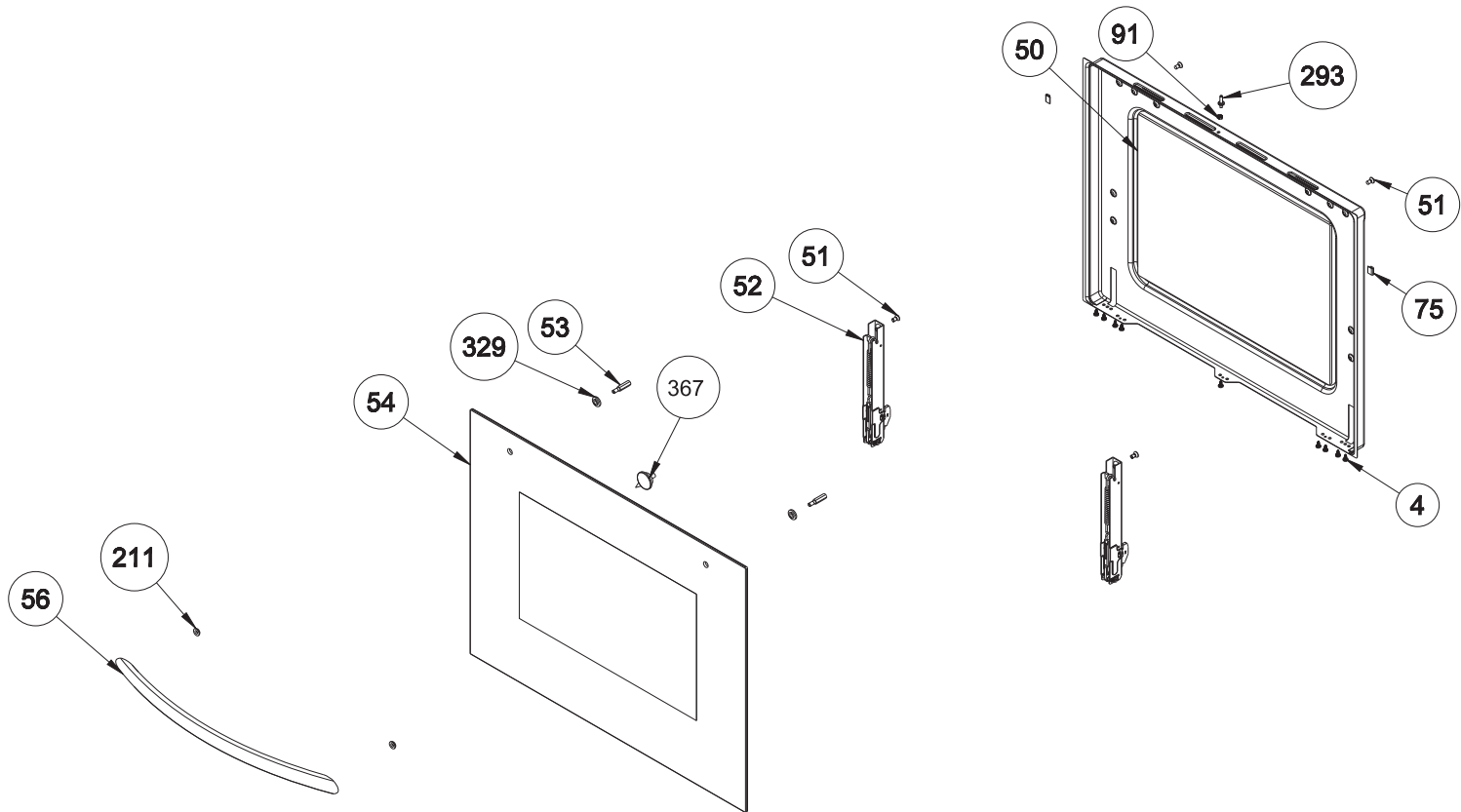
**HANDLE BODY WITH  
HANDLE BRACKET (OPTIONAL)**



**INTERVAL GLASS (OPTIONAL)  
ONLY OVEN DOOR  
WITH FULL GLASS STRUCTURE (OPTIONAL)**

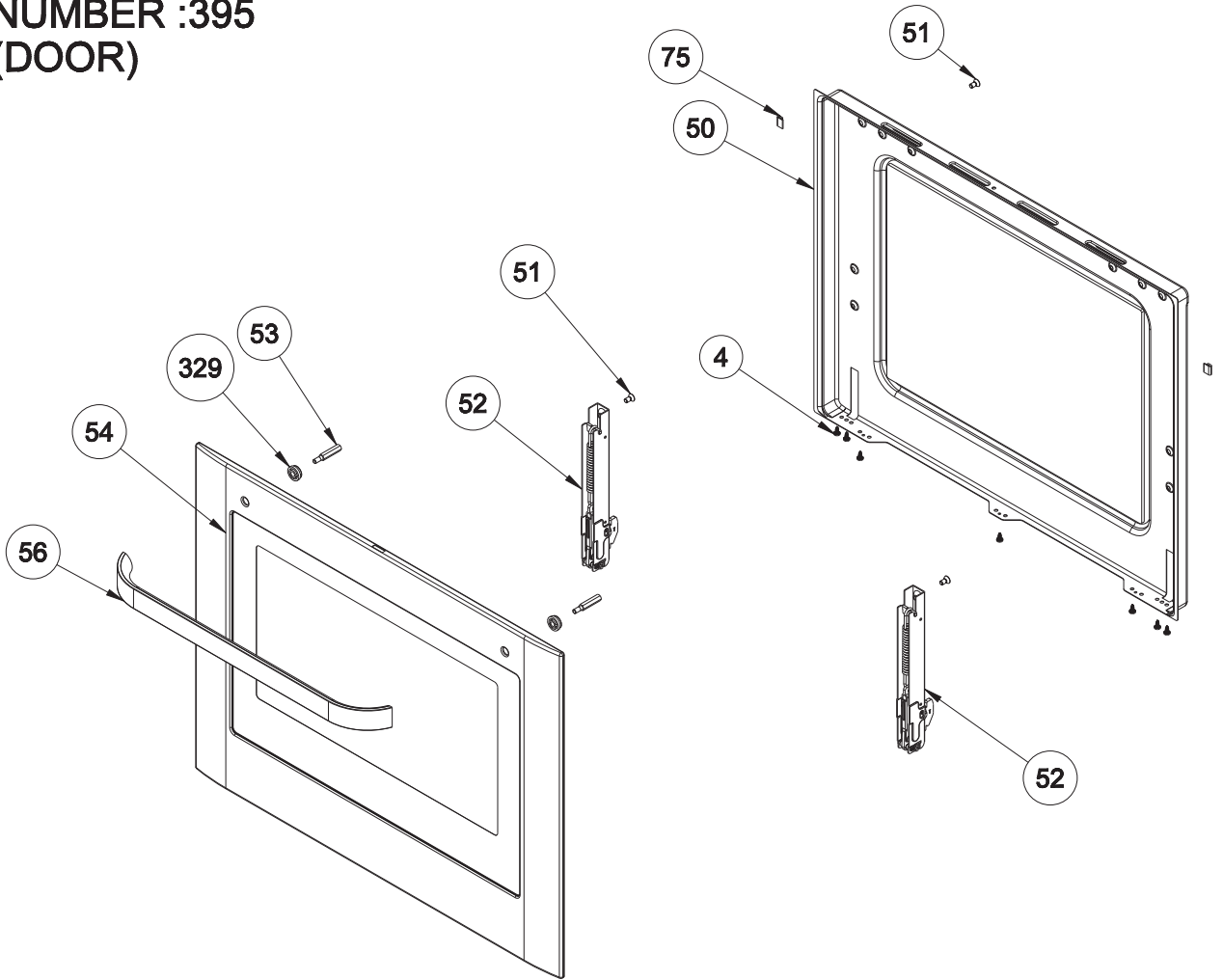
POSITION  
NUMBER :376  
(DOOR)

E

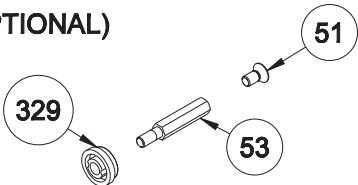


**POSITION  
NUMBER :395  
(DOOR)**

**F**

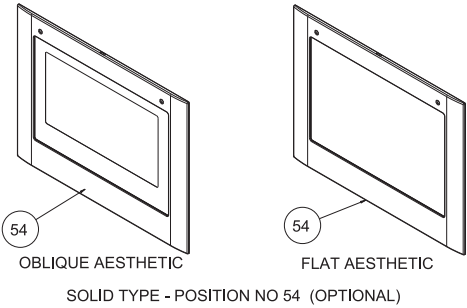


**(OPTIONAL)**

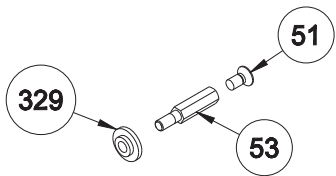


**TYPE 1**

**HANDLE ASSEMBLY GROUP  
POSITION NUMBER : 49  
(OPTIONAL)**

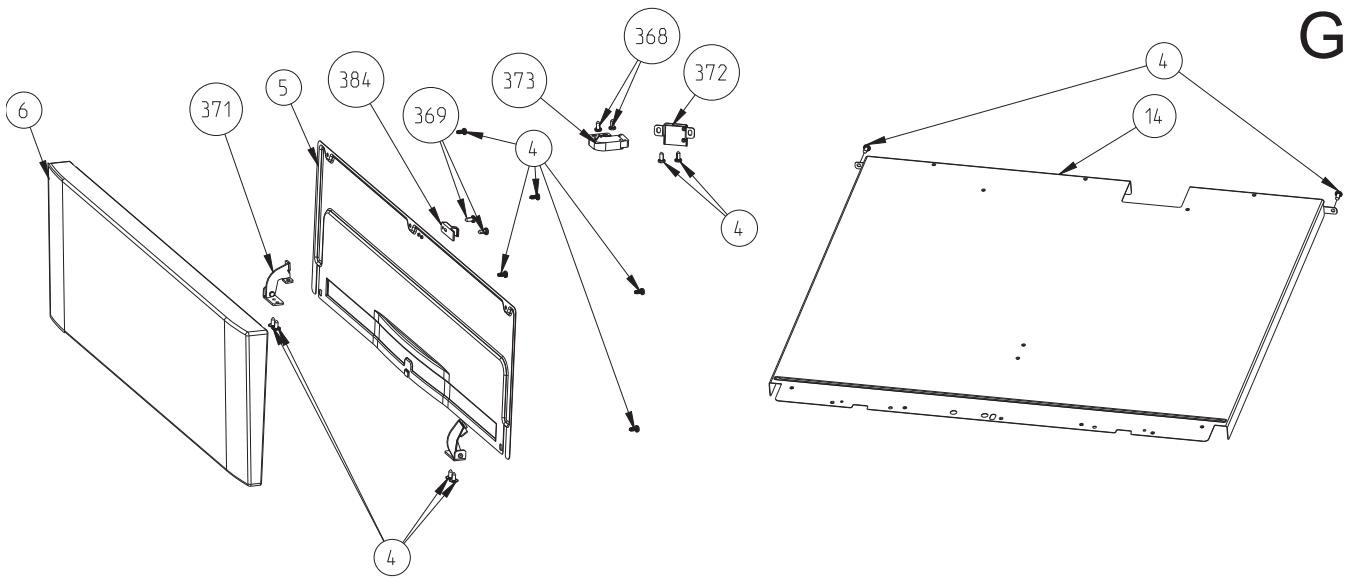


**(OPTIONAL)**

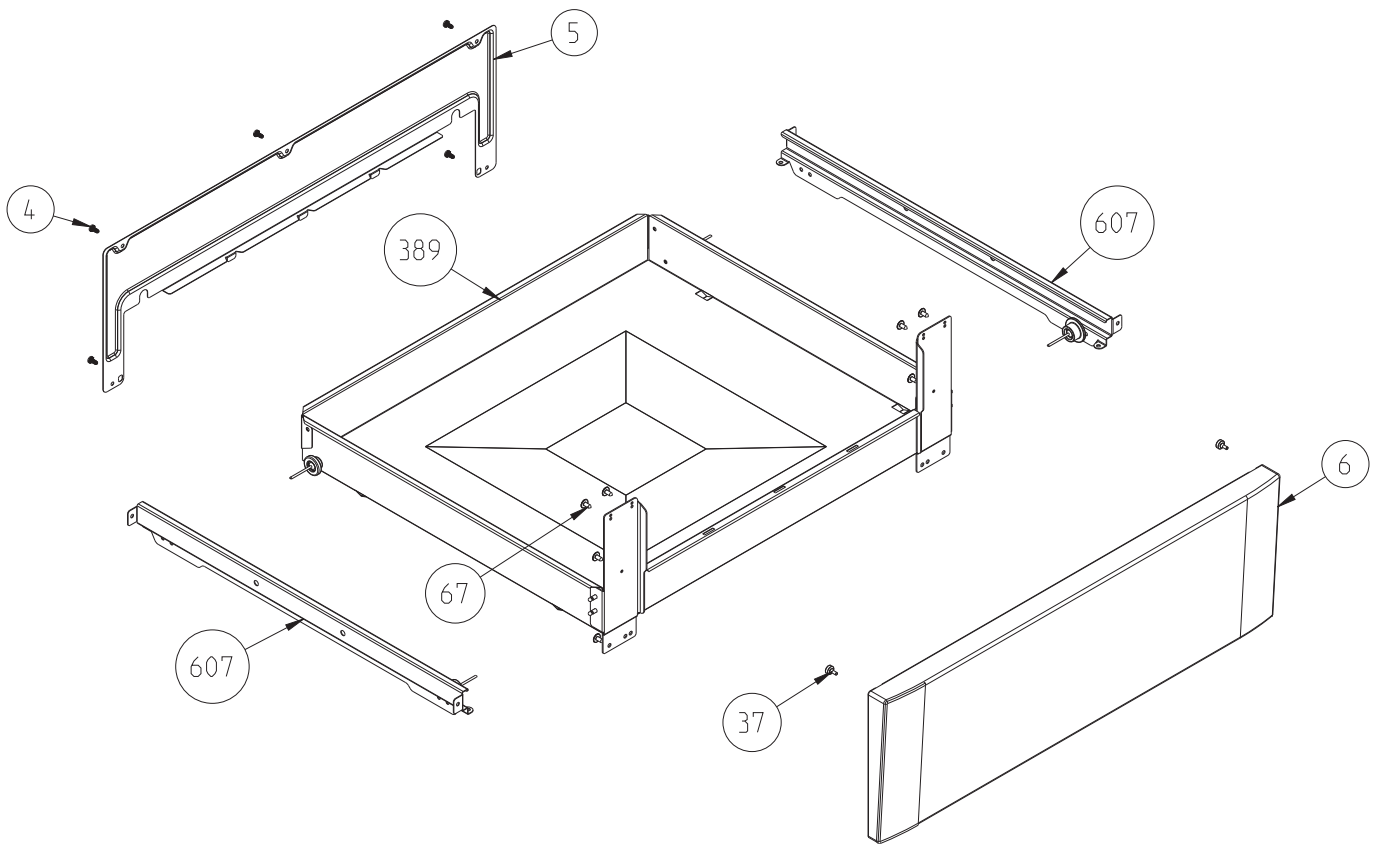


**TYPE 2**

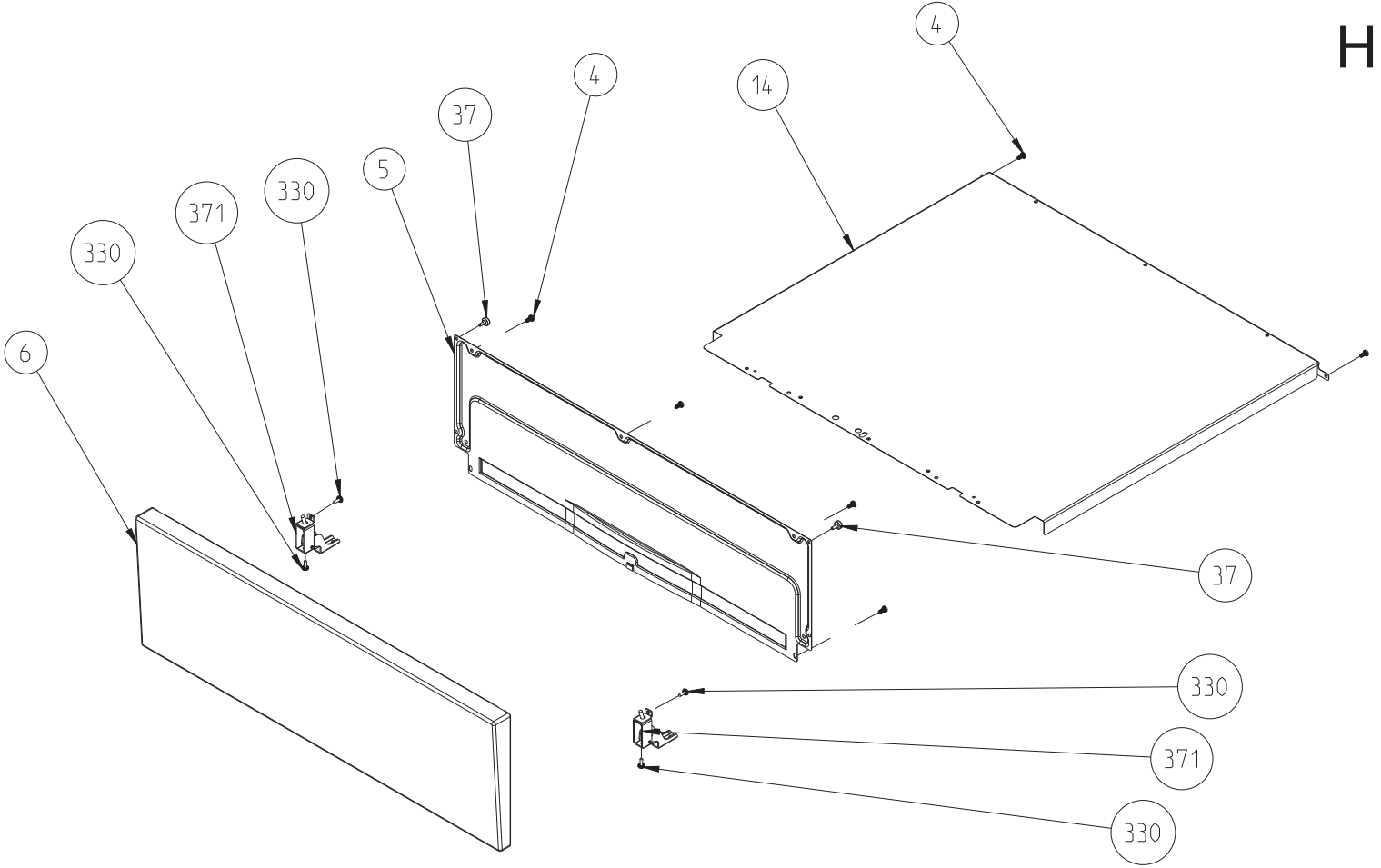
**HANDLE ASSEMBLY GROUP  
POSITION NUMBER : 49  
(OPTIONAL)**



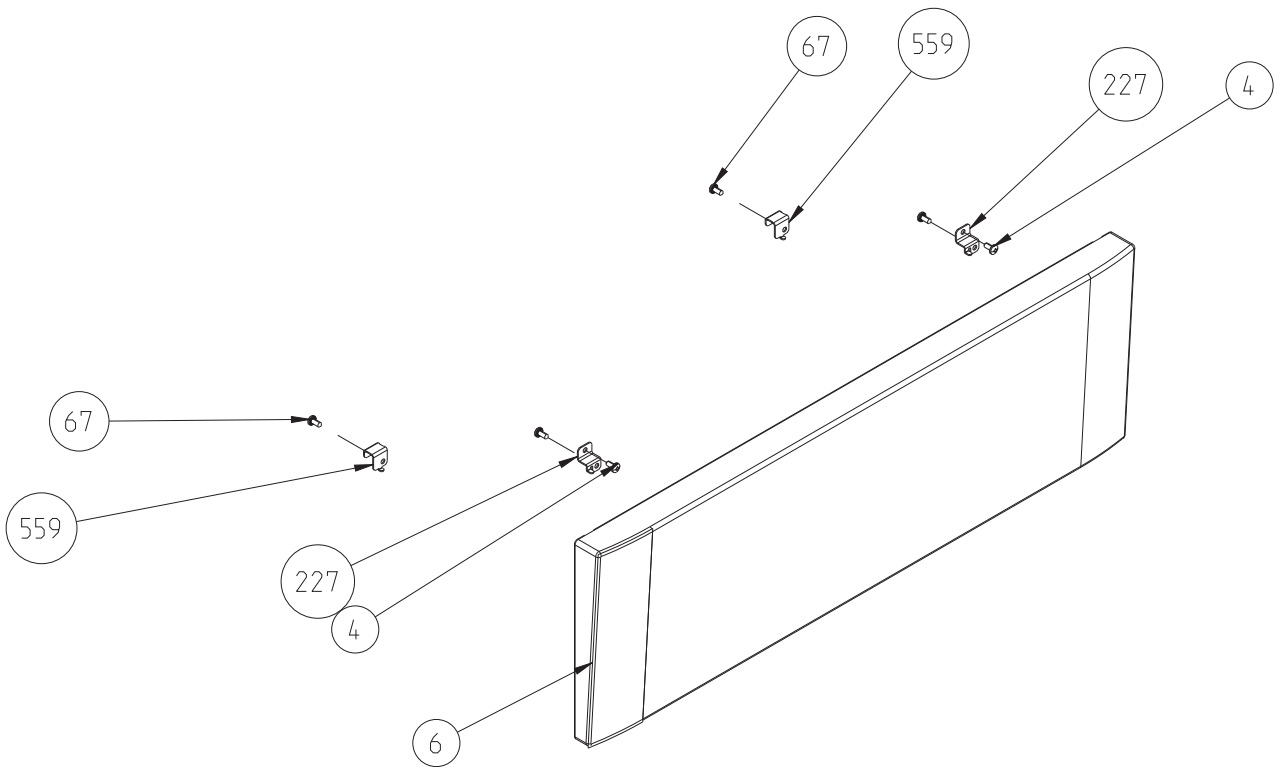
**PUSH PULL FLAP DRAWER ASSEMBLY (OPTIONAL)**



**4WG DRAWER ASSEMBLY (OPTIONAL)**



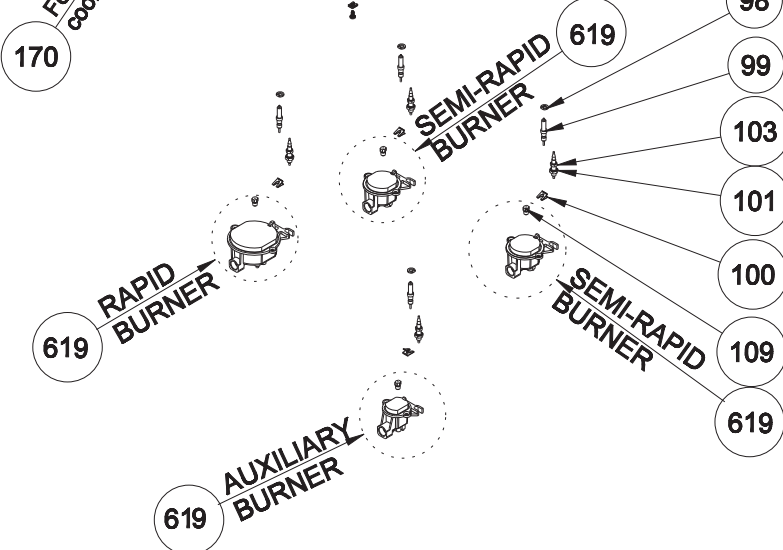
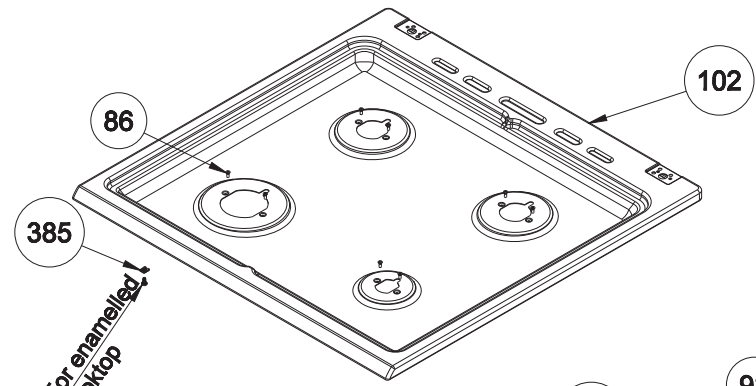
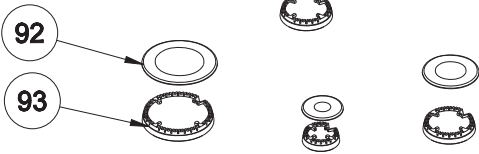
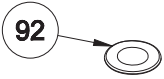
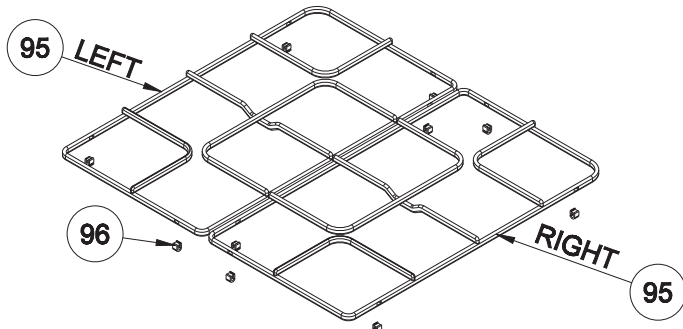
**YNTB FLAP DRAWER ASSEMBLY**



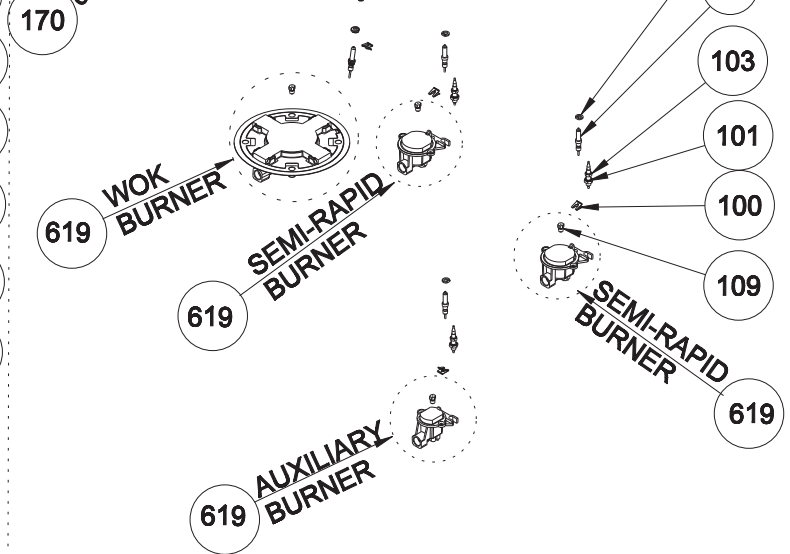
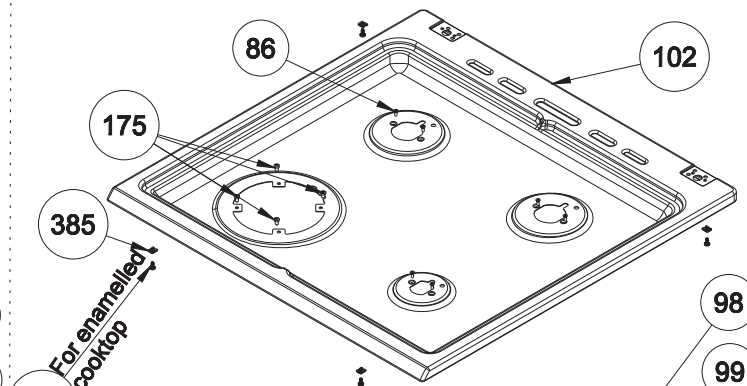
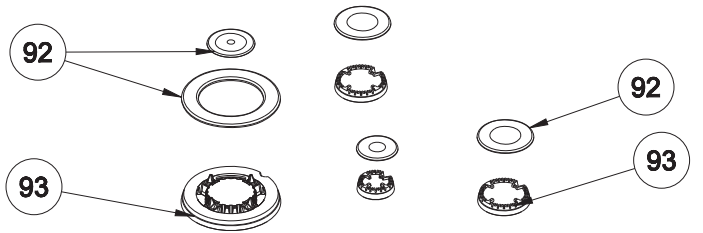
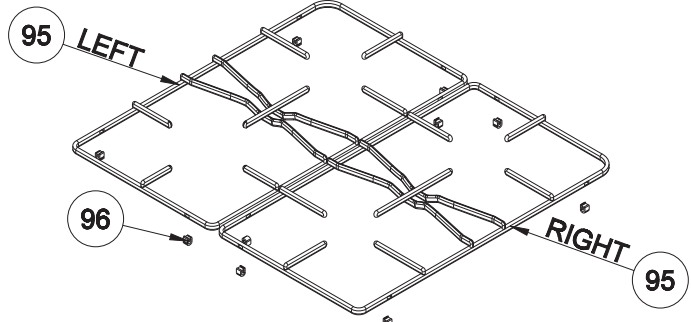
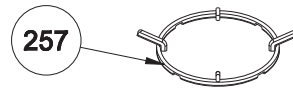
**FIXED DRAWER ASSEMBLY  
(OPTIONAL)**



**4 GAS COOKTOP  
(OPTIONAL)**



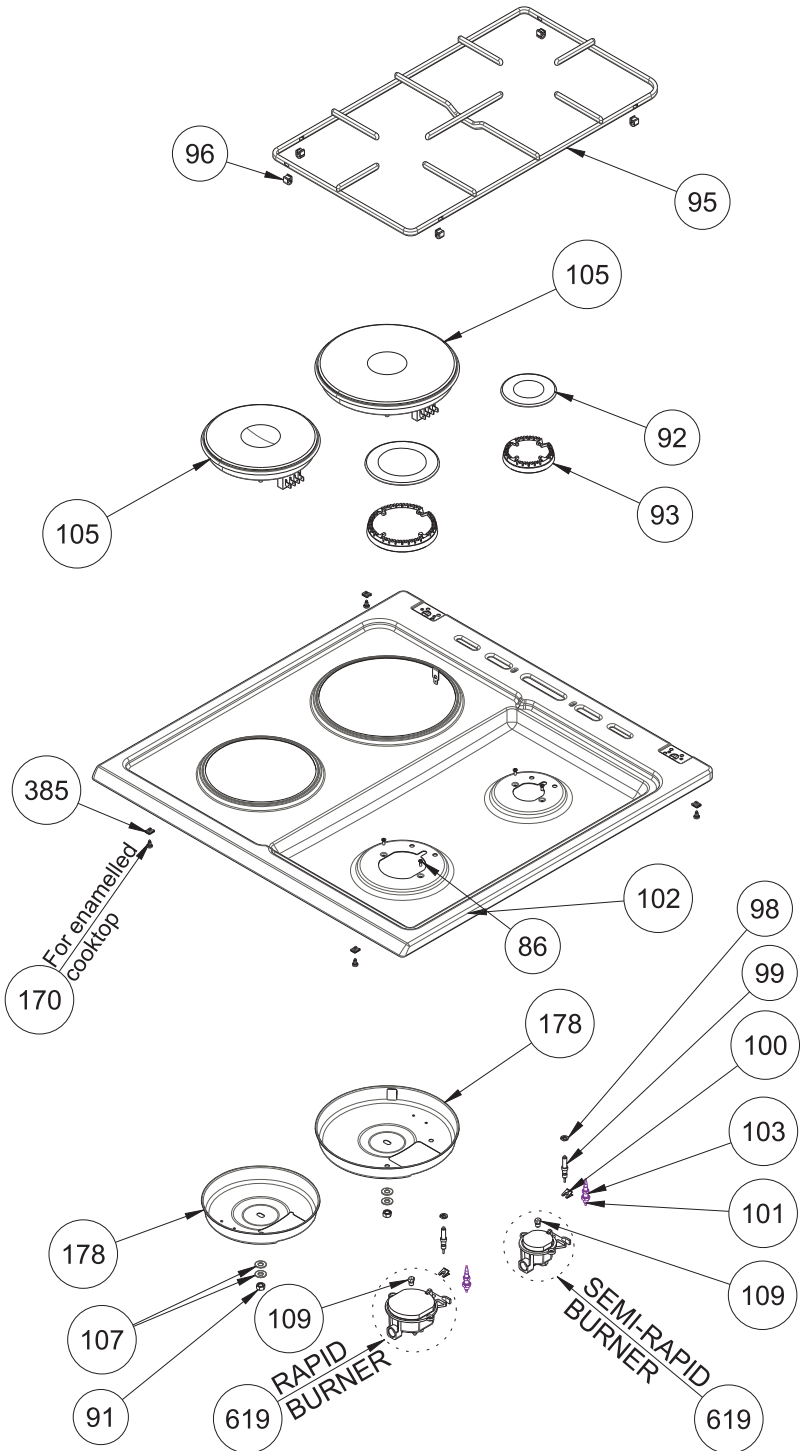
**3 GAS 1 WOK COOKTOP  
(OPTIONAL)**

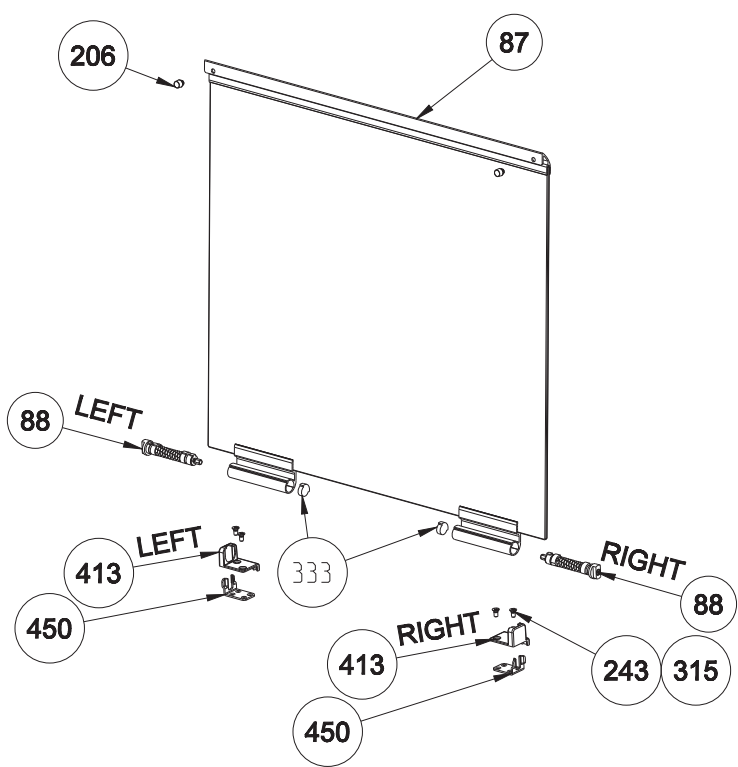




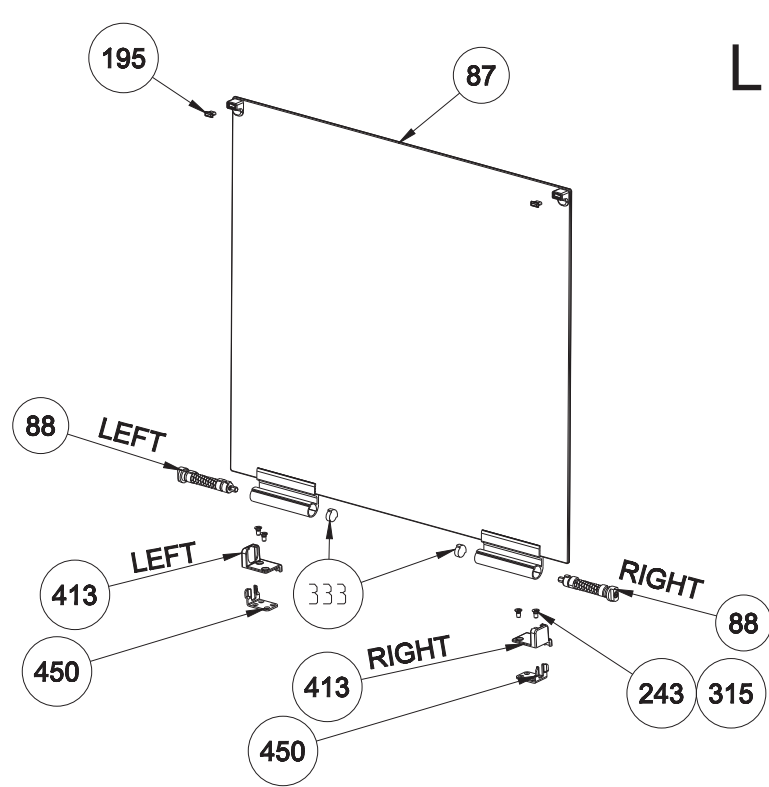
# 2 GAS 2 ELECTRIC COOKTOP (OPTIONAL)

# K

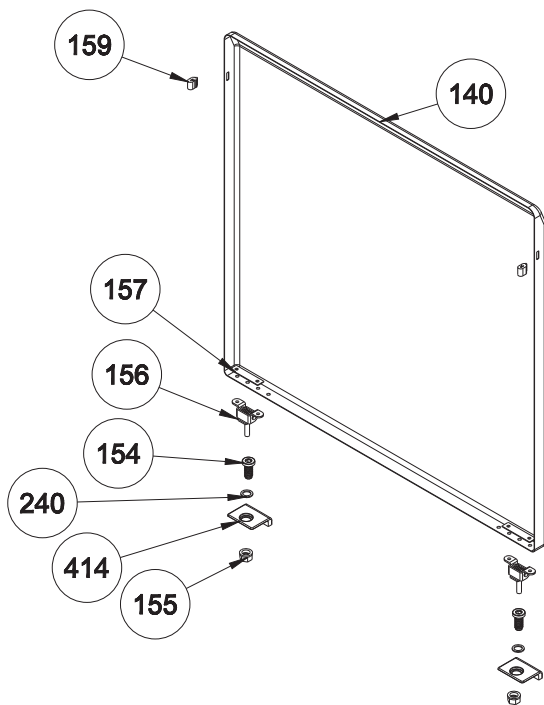




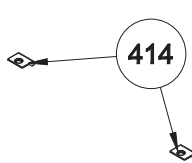
GLASS LID WITH SHORT PROFILE  
(OPTIONAL)



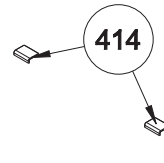
GLASS LID WITH BUMPER  
(OPTIONAL)



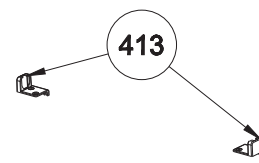
METAL LID (OPTIONAL)  
POSITION NUMBER :153



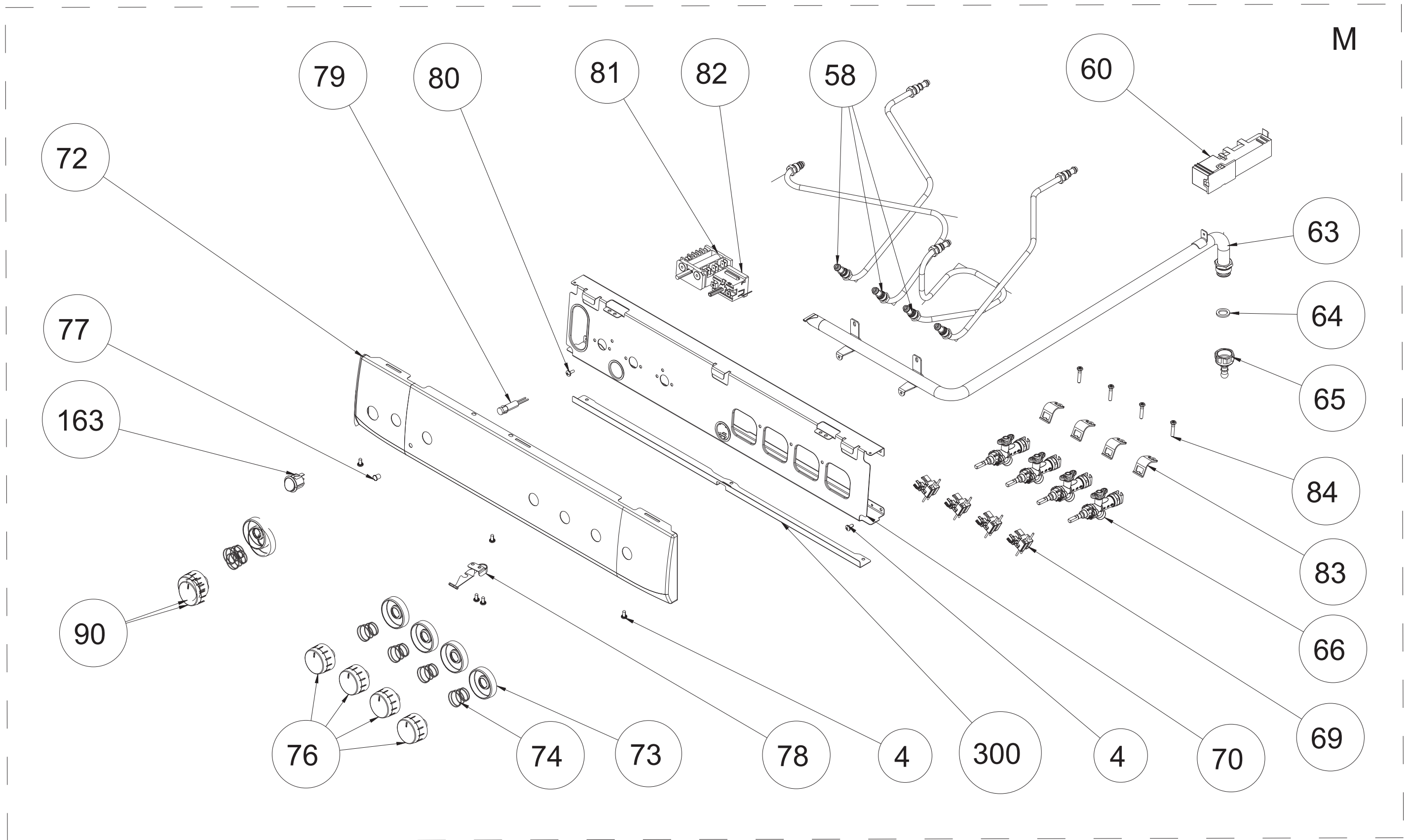
ONLY FOR  
METAL LID



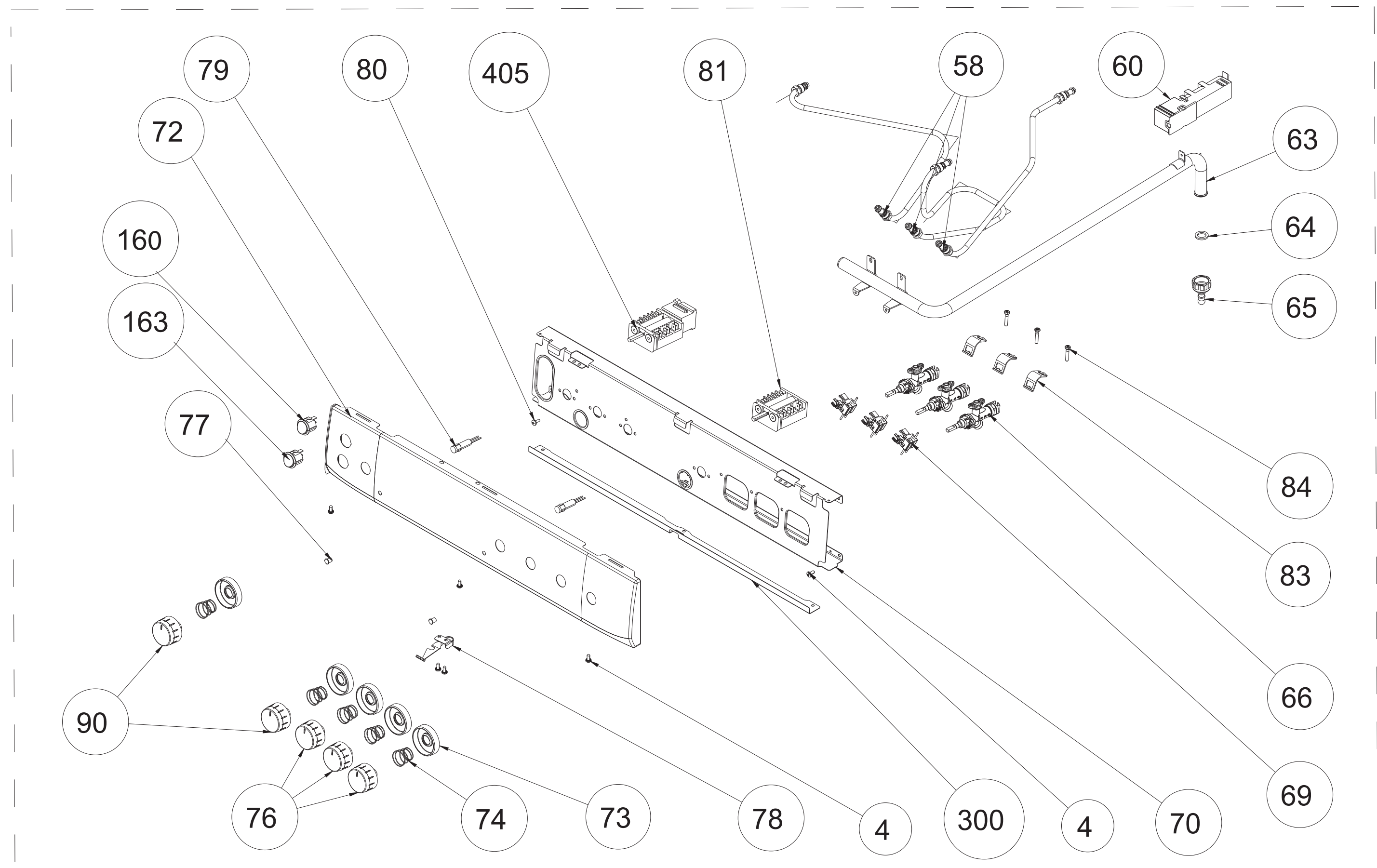
ONLY FOR  
NONE LID



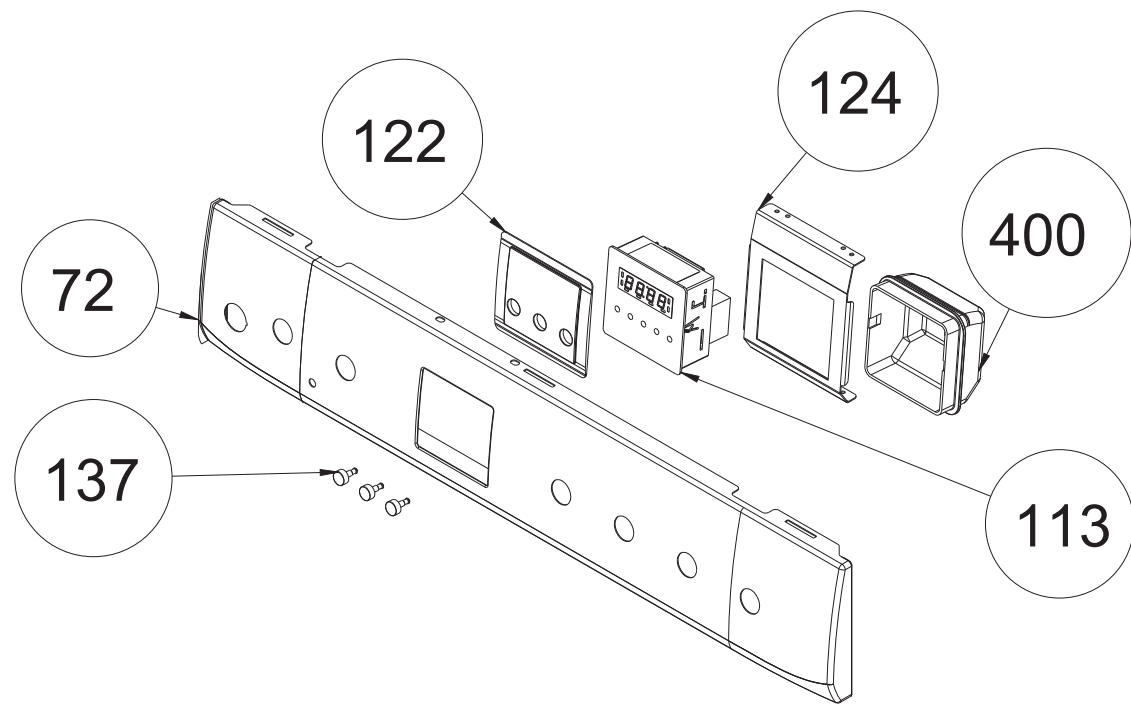
ONLY FOR  
GLASS LID



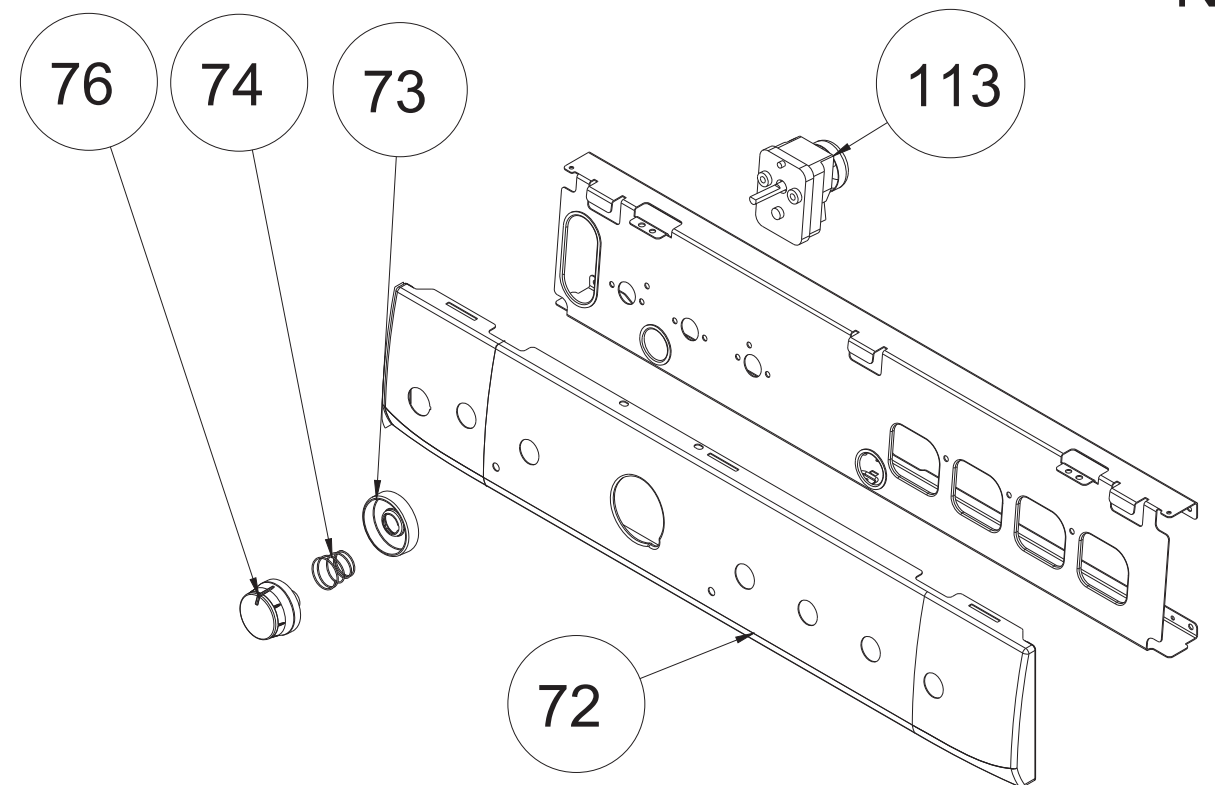
3D- 4GAS - NO TIMER CONTROL PANEL ASSEMBLY



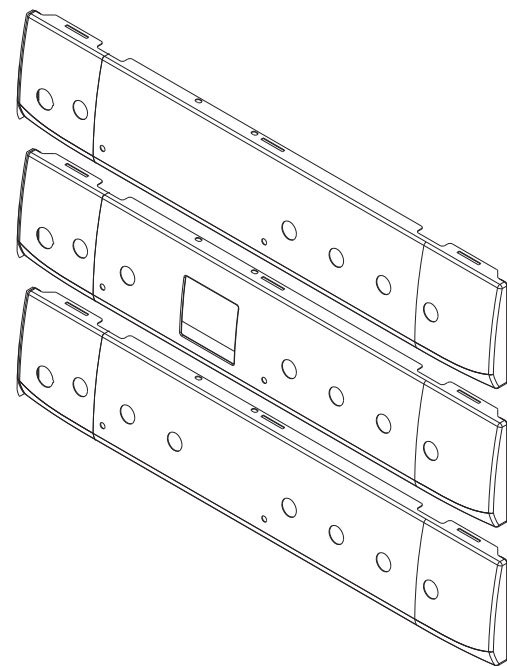
3D- 3GAS+1ELECTRIC - NO TIMER CONTROL PANEL ASSEMBLY



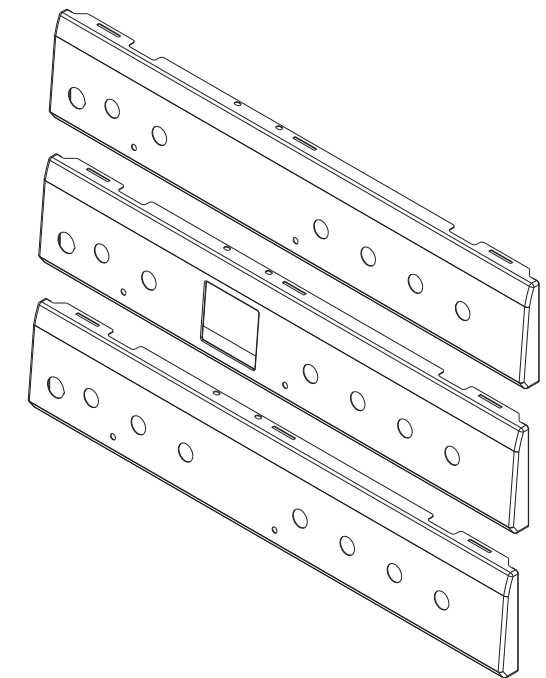
DIGITAL TIMER ( OPTIONAL )



MECHANIC TIMER ( OPTIONAL )



3D METAL CONTROL PANELS  
( OPTIONAL )



FLAT METAL CONTROL PANELS  
( OPTIONAL )