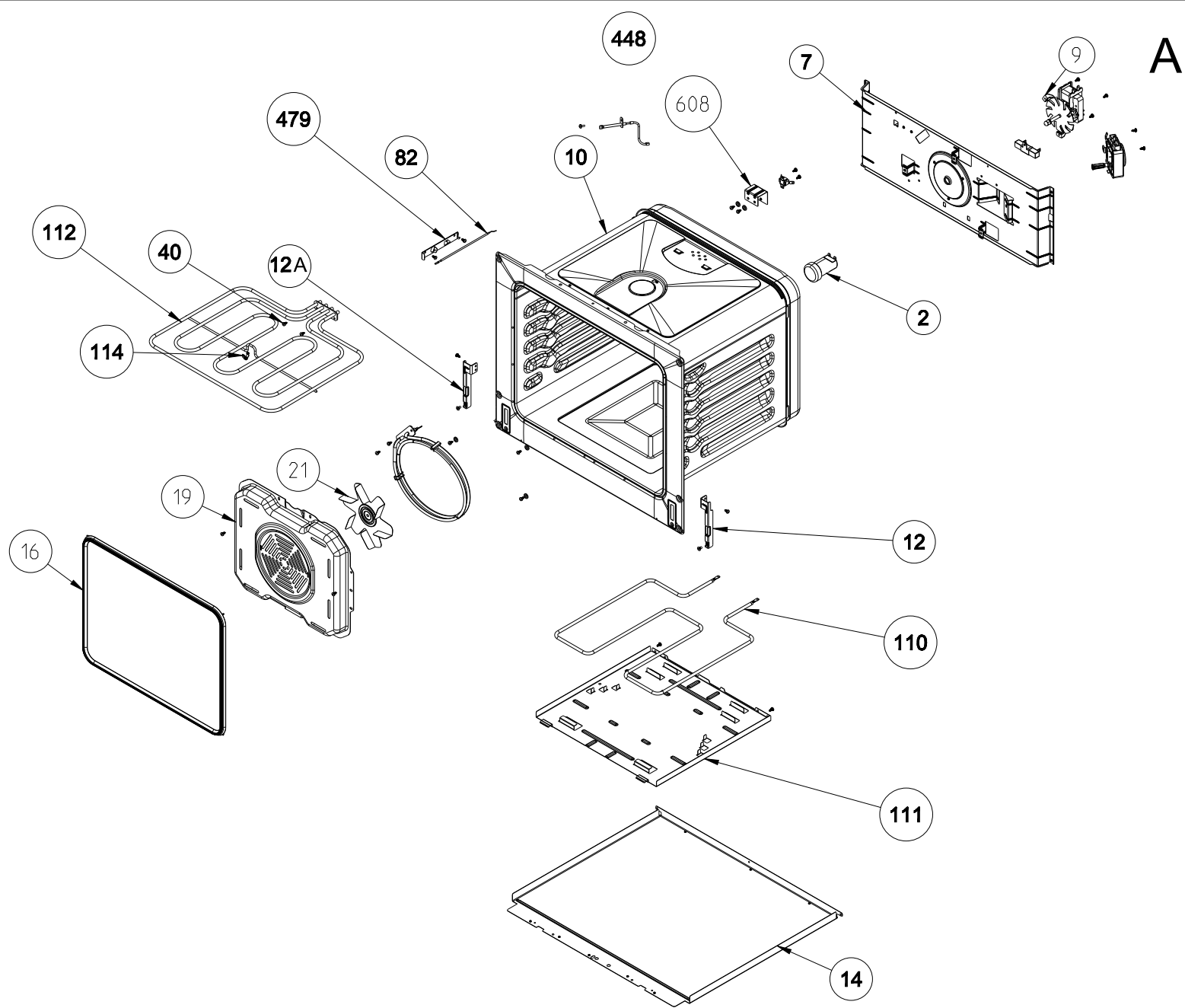
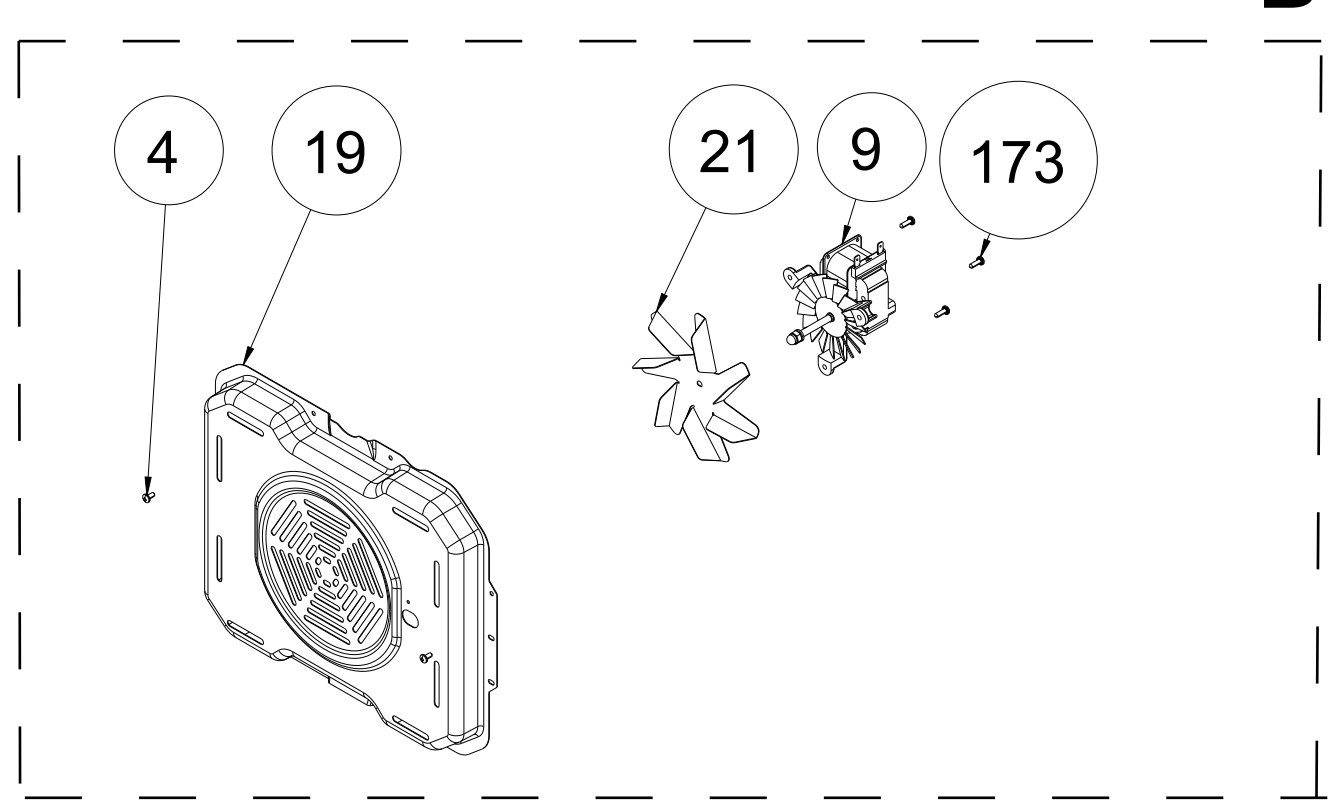
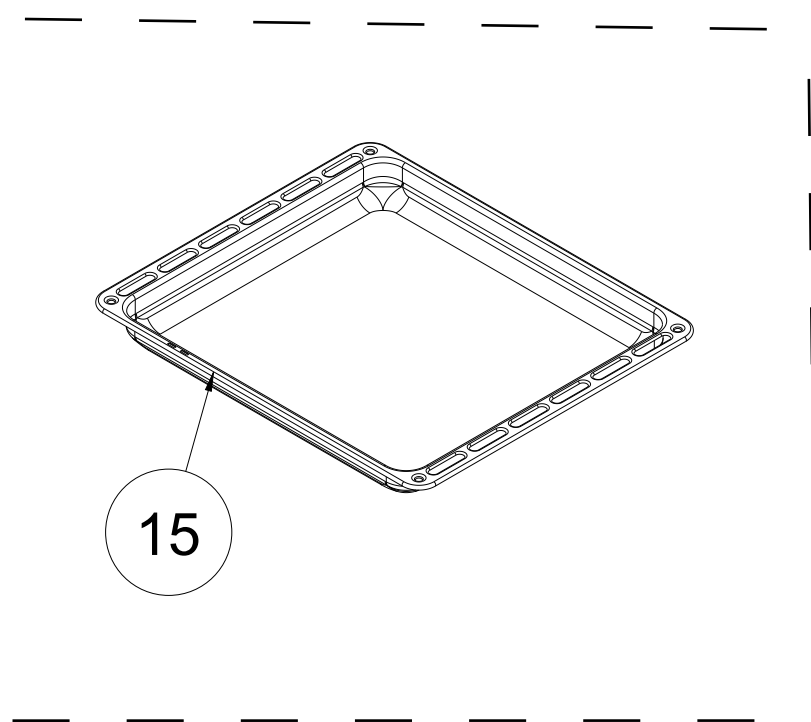
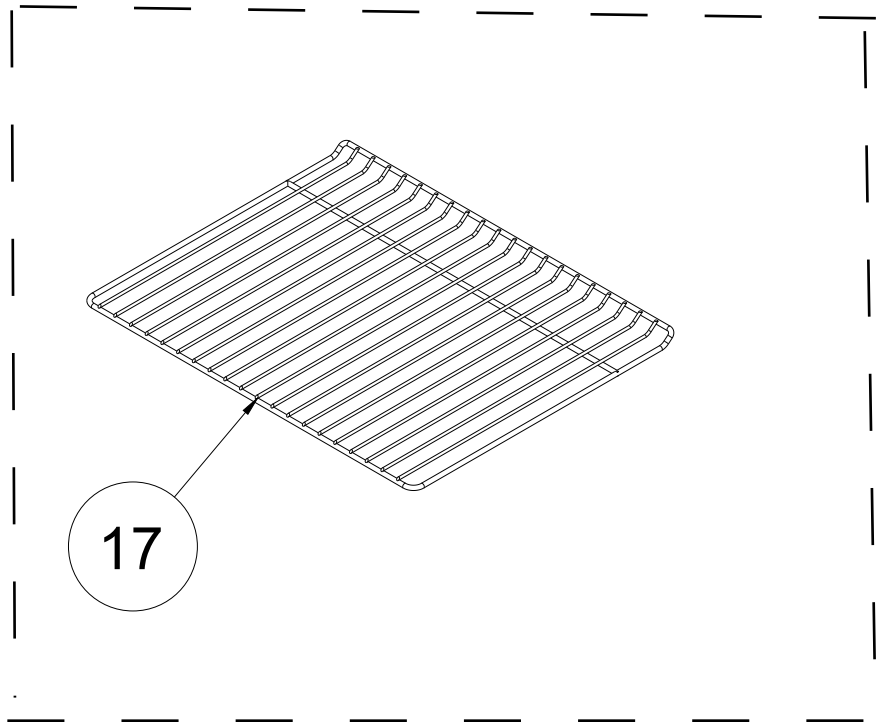


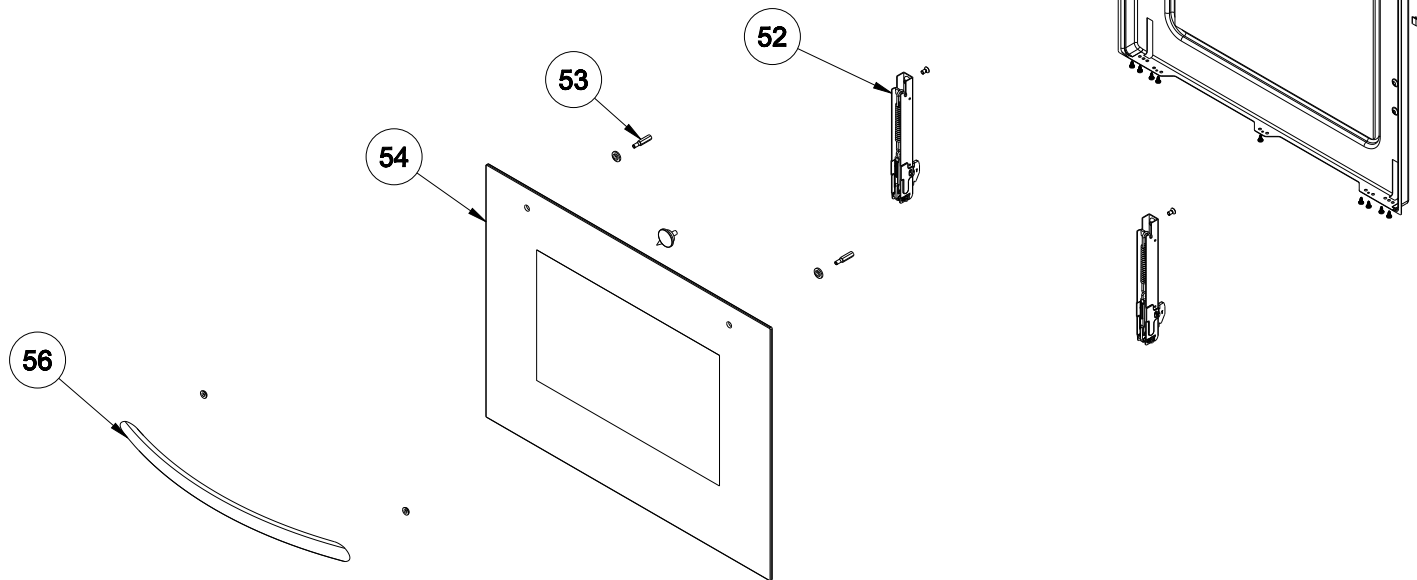
A



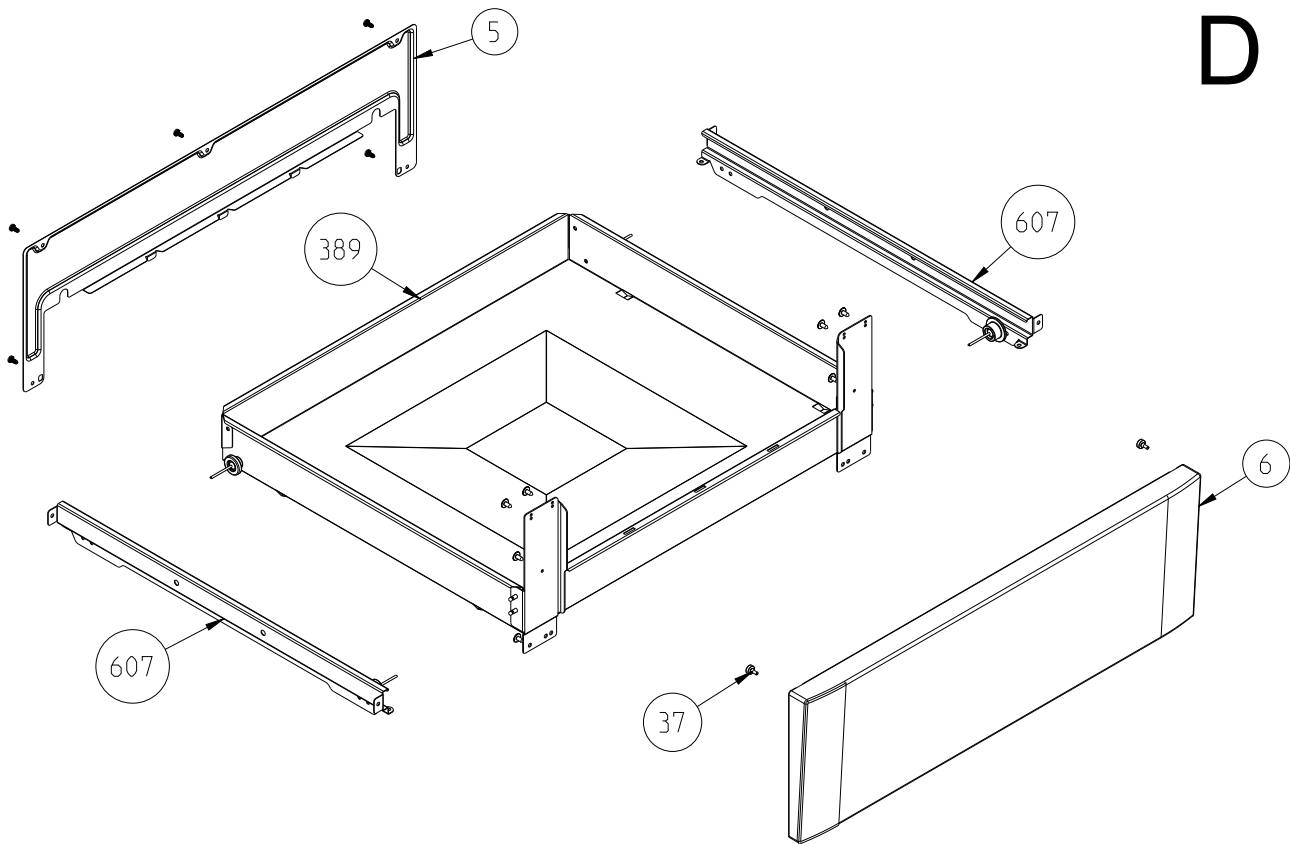
B



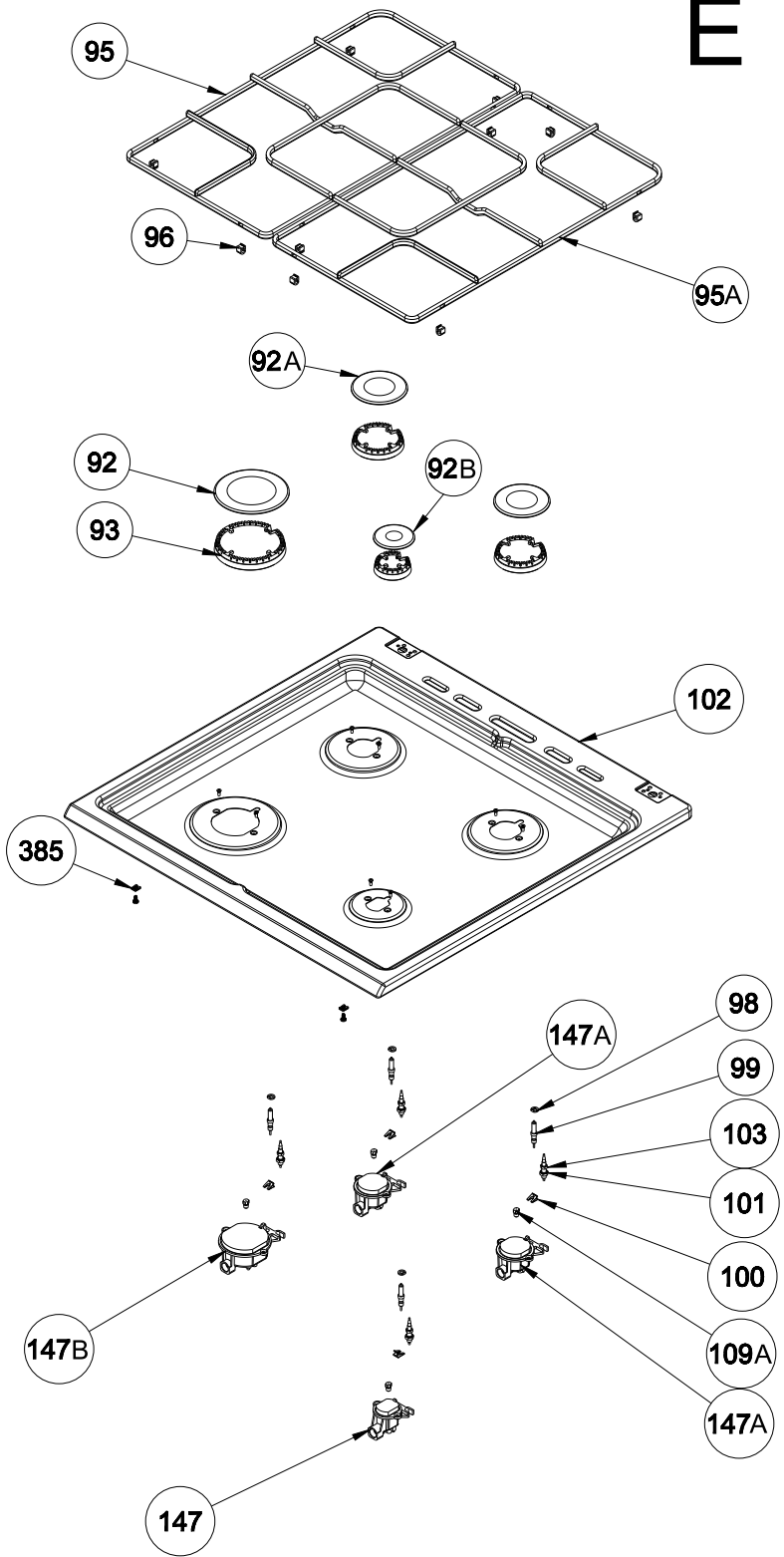
**POSITION
NUMBER :376
(DOOR)**



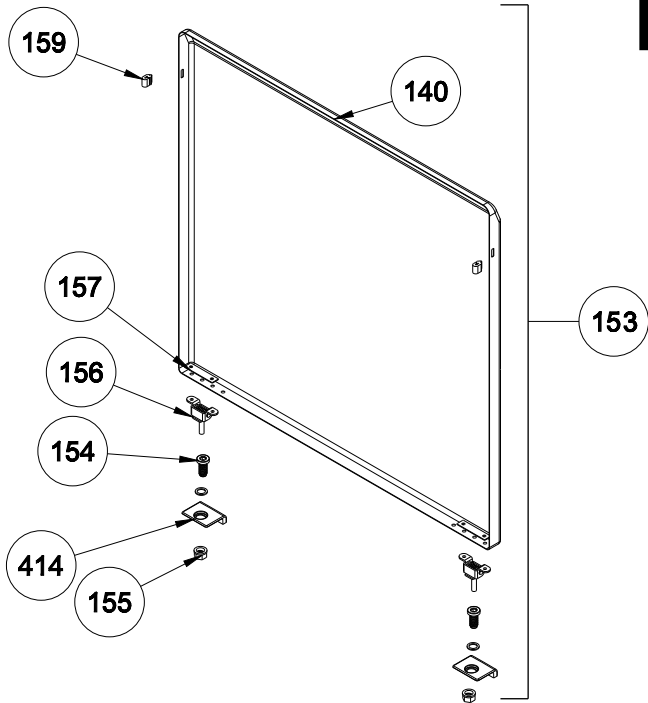
D



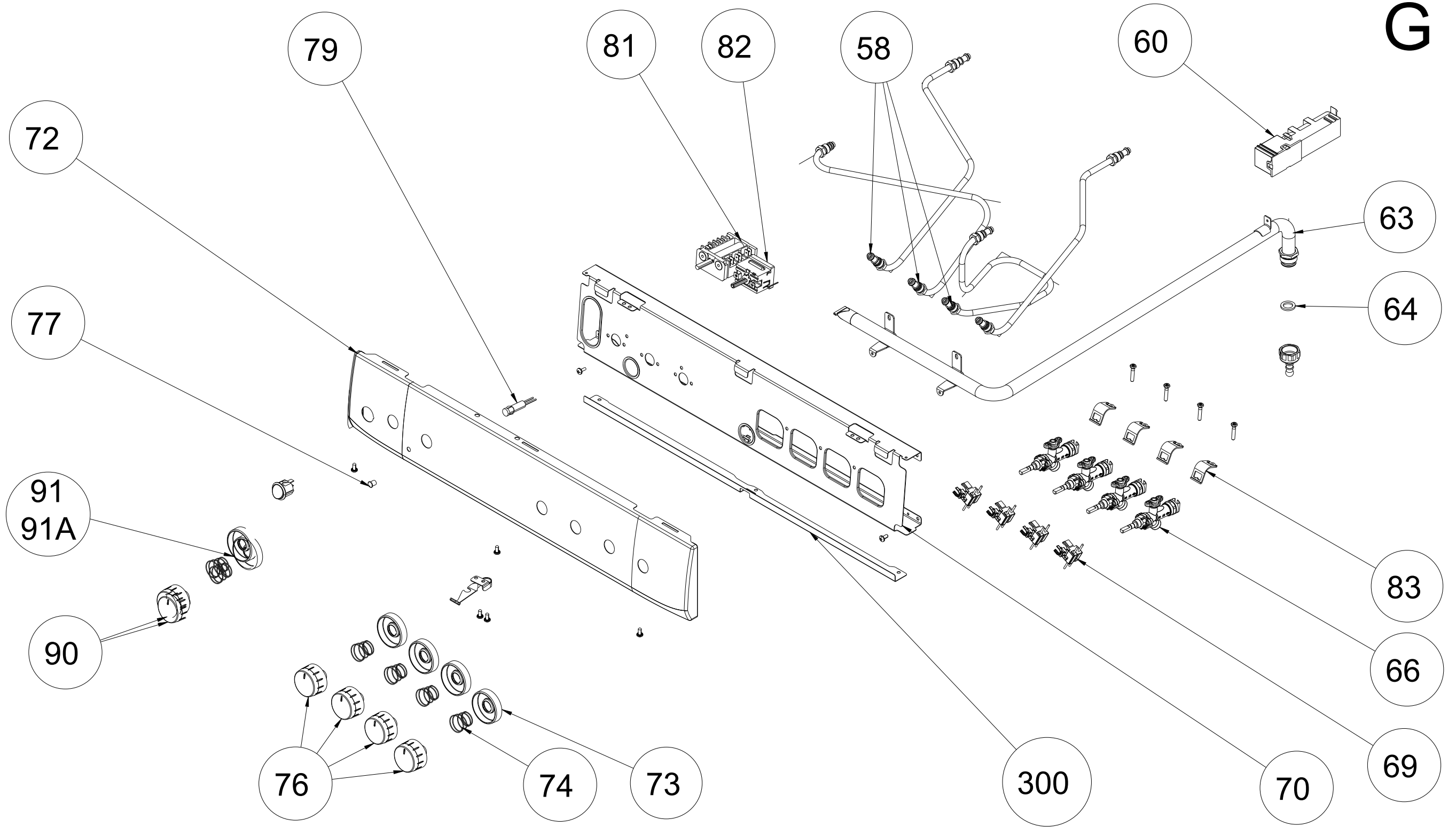
E

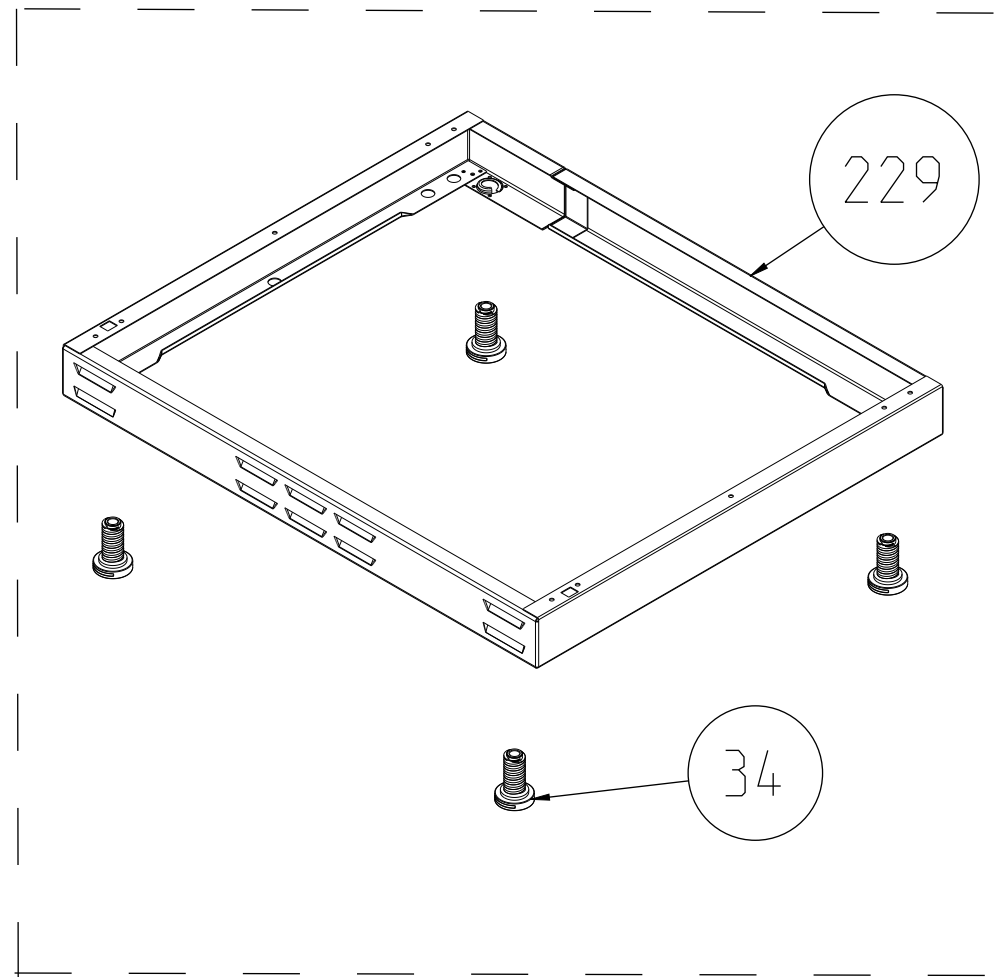


F



G





**EXTRA BOTTOM SUPPORT
(WITH LOUVRES)**

