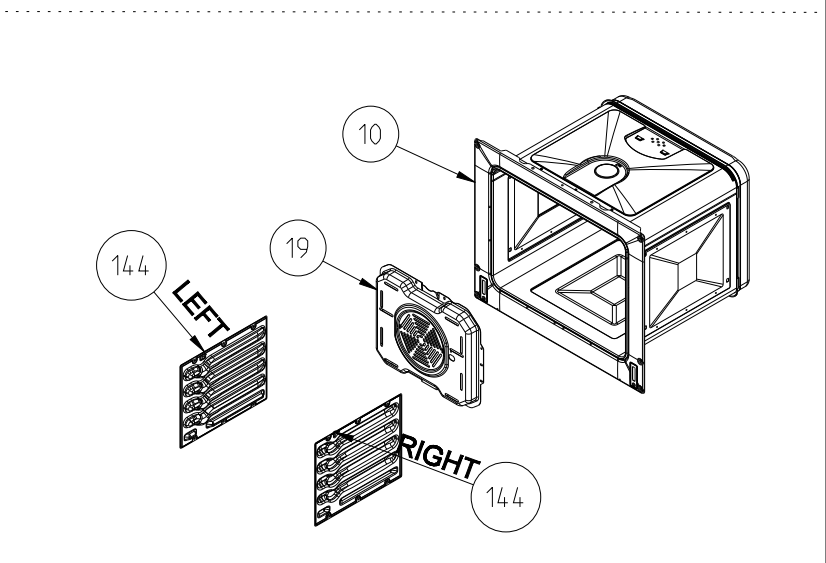
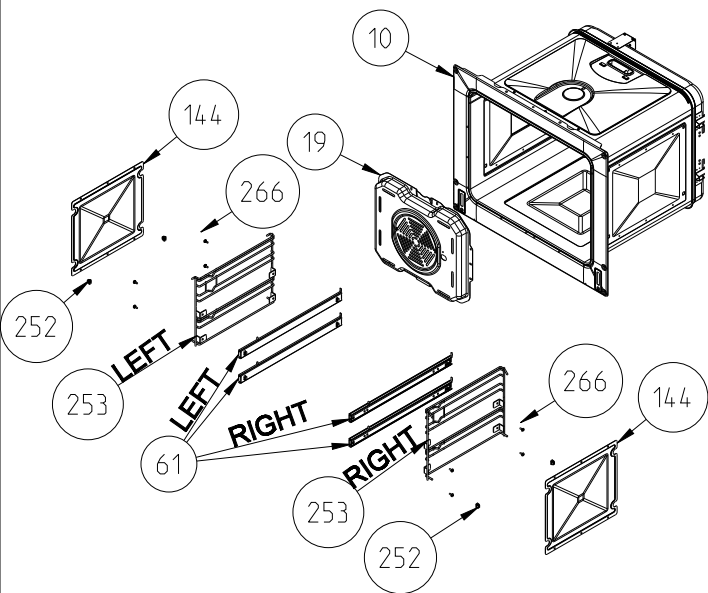


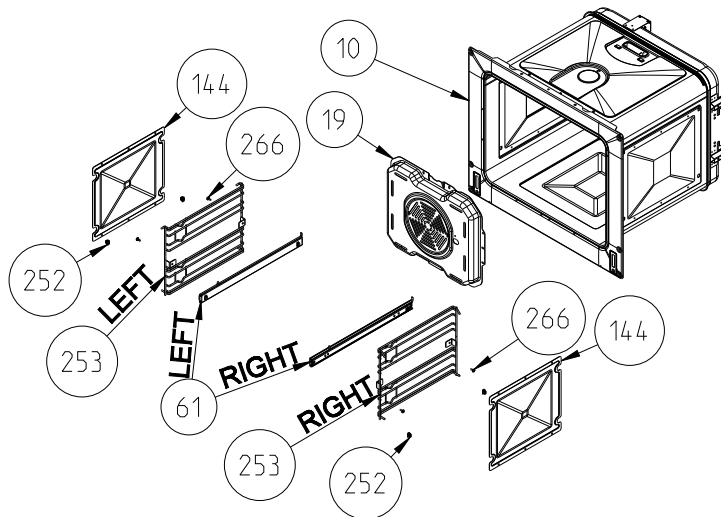
WIRE SHELF CAVITY ASSEMBLY WITH / WITHOUT CATALYTIC PANEL (OPTIONAL)



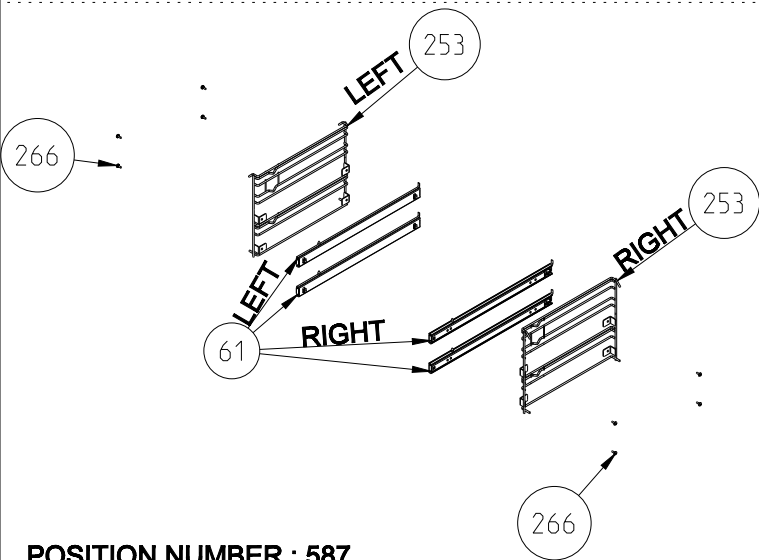
CAVITY ASSEMBLY WITH CATALYTIC SHELF (OPTIONAL)



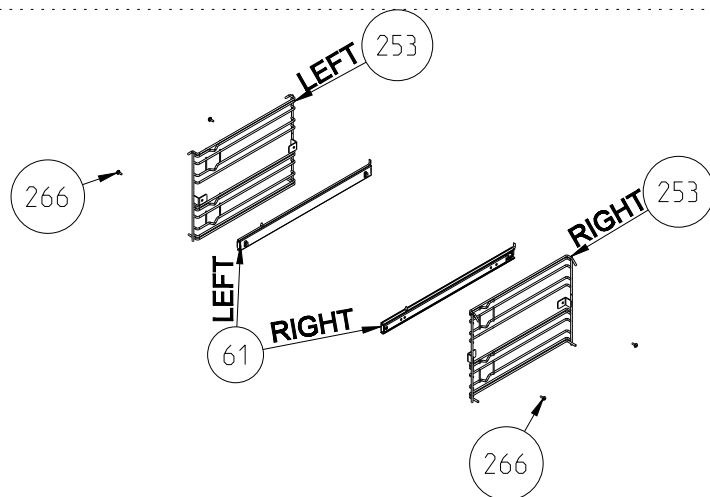
**WIRE SHELF CAVITY ASSEMBLY
WITH/ WITHOUT CATALYTIC PANEL
OPTIONAL:DOUBLE TELESCOPIC RAIL (R / L)**



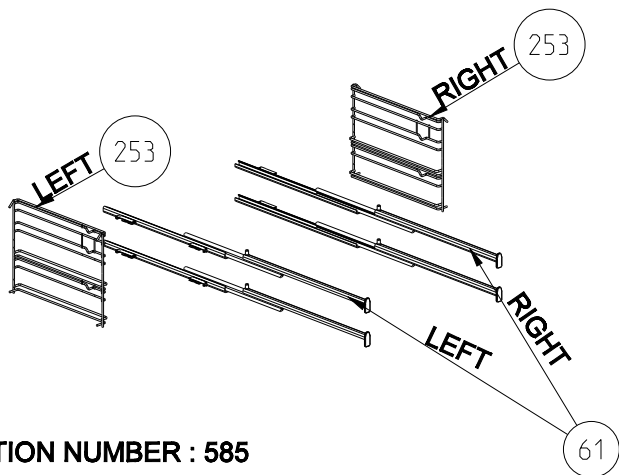
**WIRE SHELF CAVITY ASSEMBLY
WITH/ WITHOUT CATALYTIC PANEL
OPTIONAL:TELESCOPIC RAIL (R / L)**



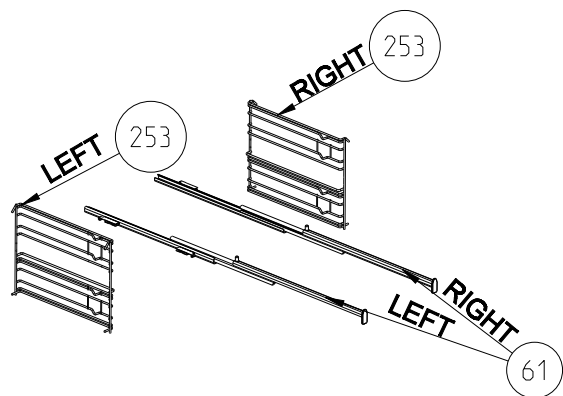
**POSITION NUMBER : 587
WIRE SHELF (SINGLE EXTENSION)
OPTIONAL:DOUBLE TELESCOPIC RAIL (R / L) GROUP**



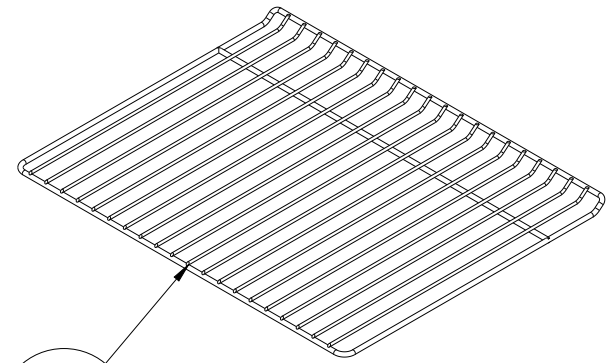
**POSITION NUMBER :588
WIRE SHELF (SINGLE EXTENSION)
OPTIONAL: SINGLE TELESCOPIC RAIL (R / L) GROUP**



**POSITION NUMBER : 585
WIRE SHELF (FULL EXTENSION)
OPTIONAL:DOUBLE TELESCOPIC RAIL (R / L) GROUP**

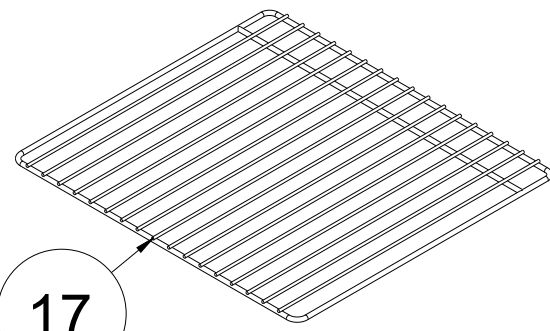


**POSITION NUMBER: 586
WIRE SHELF (FULL EXTENSION)
OPTIONAL: SINGLE TELESCOPIC RAIL (R / L) GROUP**



17

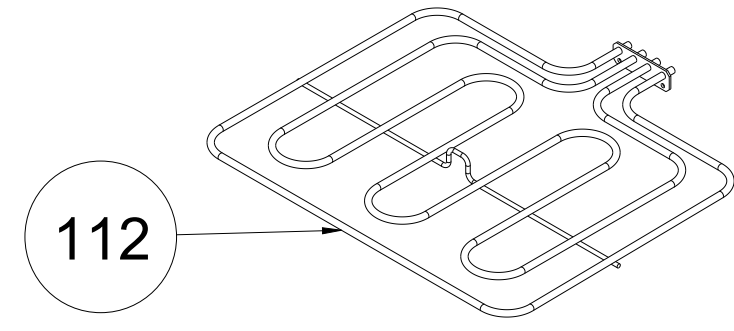
LOCKED



17

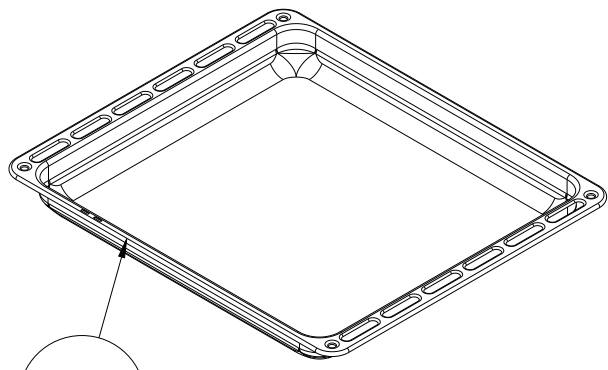
W. TELESCOPIC RAIL

GRID (OPTIONAL)



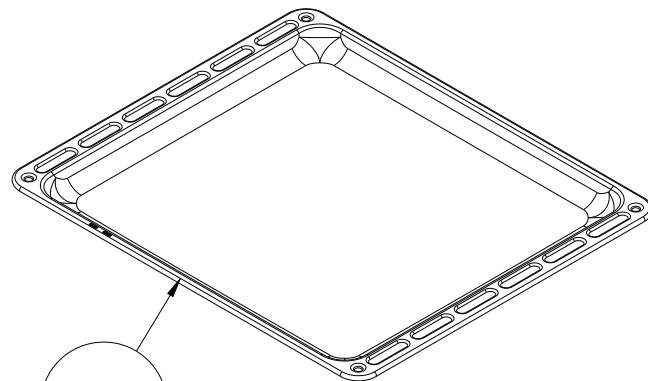
112

TOP AND GRILL HEATING ELEMENT (OPTIONAL)



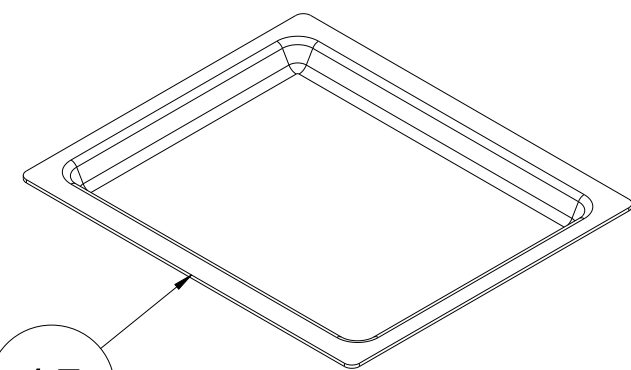
15

DEEP



15

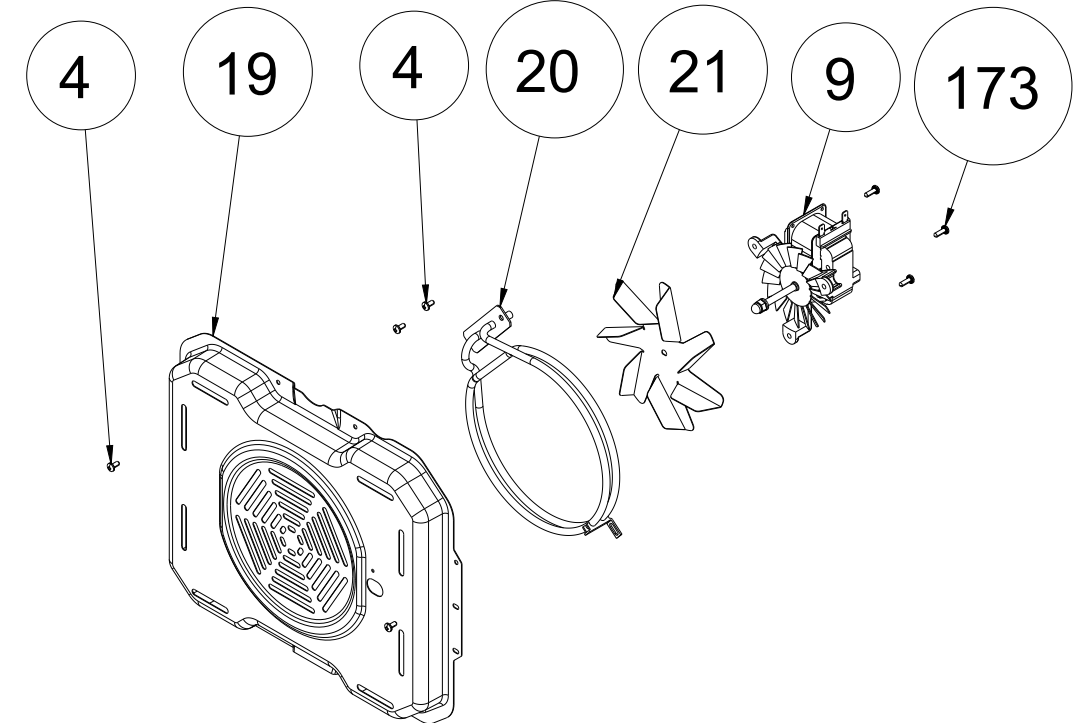
SHALLOW



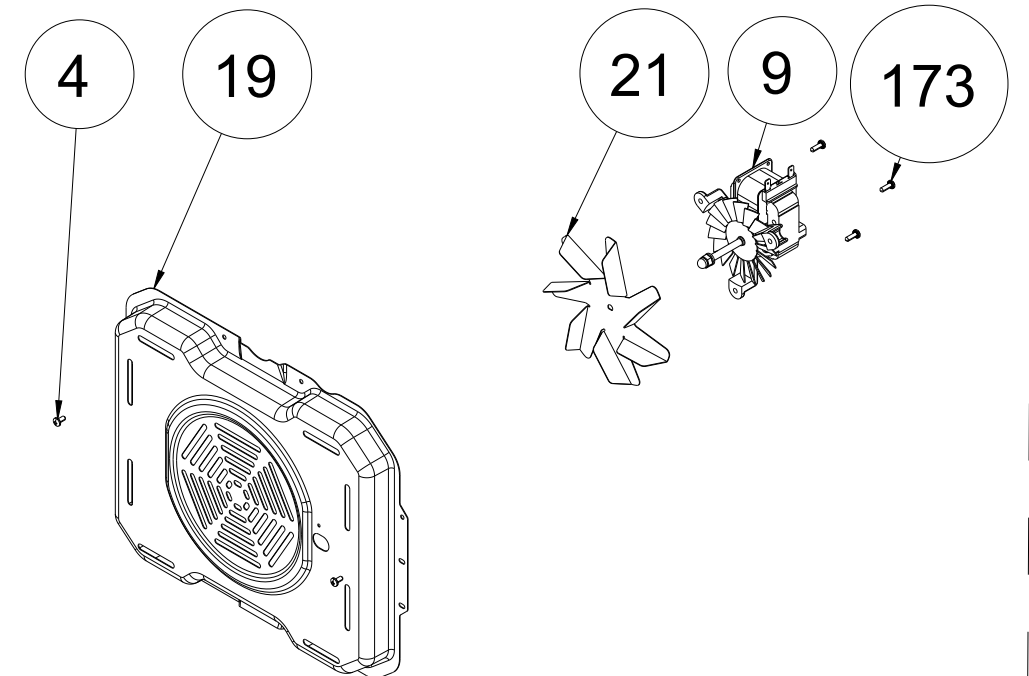
15

GLASS

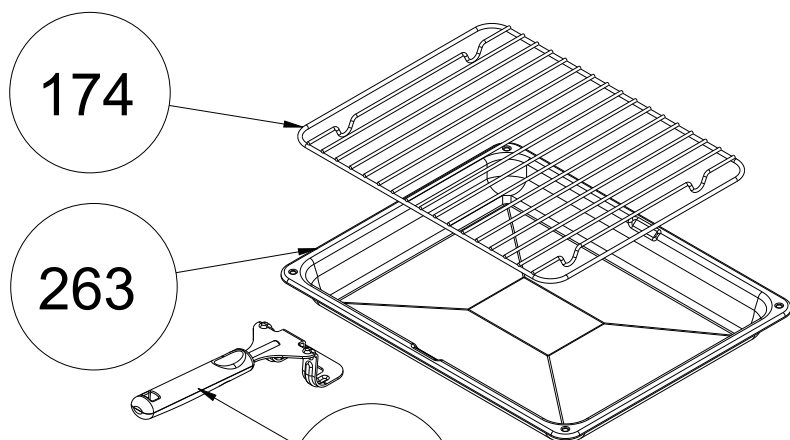
TRAYS (OPTIONAL)



RING HEATING ELEMENT WITH FAN (OPTIONAL)



(FAN COVER/ FAN IMPELLER(6 WINGS) / FAN MOTOR) (OPTIONAL)

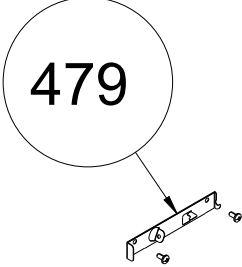


174

263

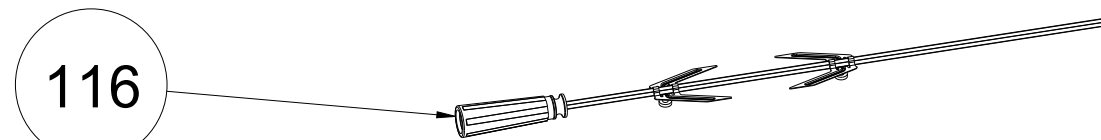
264

GRILL PAN AND HANDLE SET (TRAY SET FOR GRILL) - POSITION NO 265 (OPTIONAL)



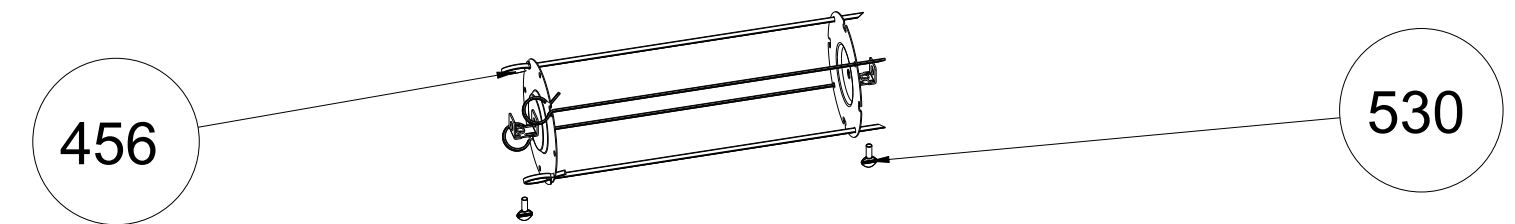
479

THERMIST BULB HOLDER/BACKET



116

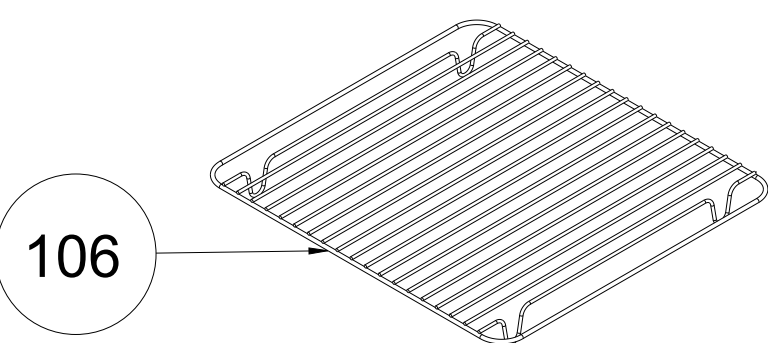
TURNSPIT SKEWER



456

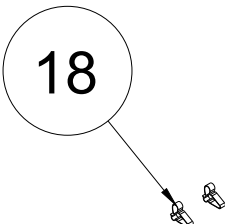
530

SHISH KEBAB ACCESSORY (OPTIONAL)

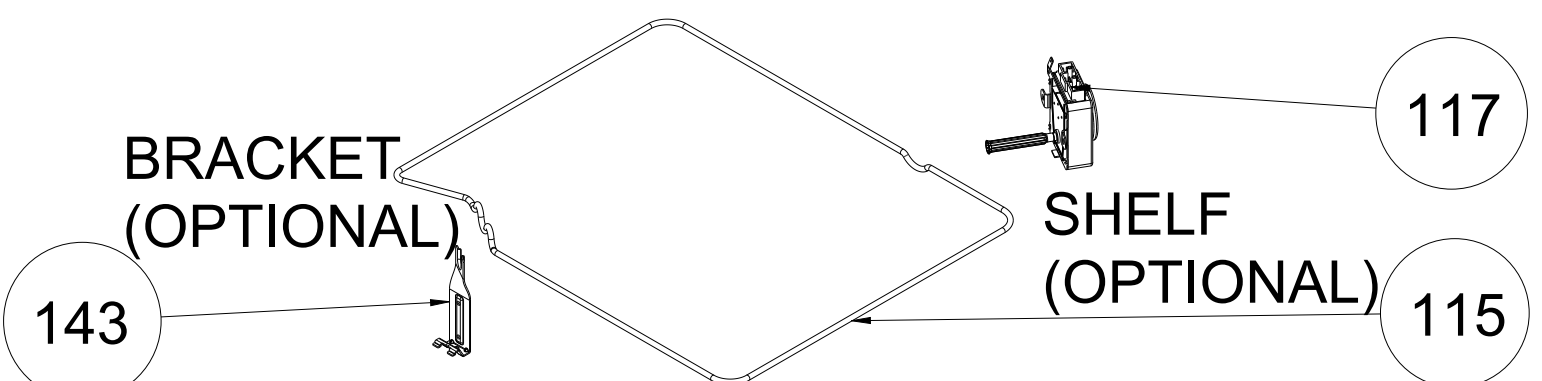


106

DEEP TRAY GRID (OPTIONAL)



18



143

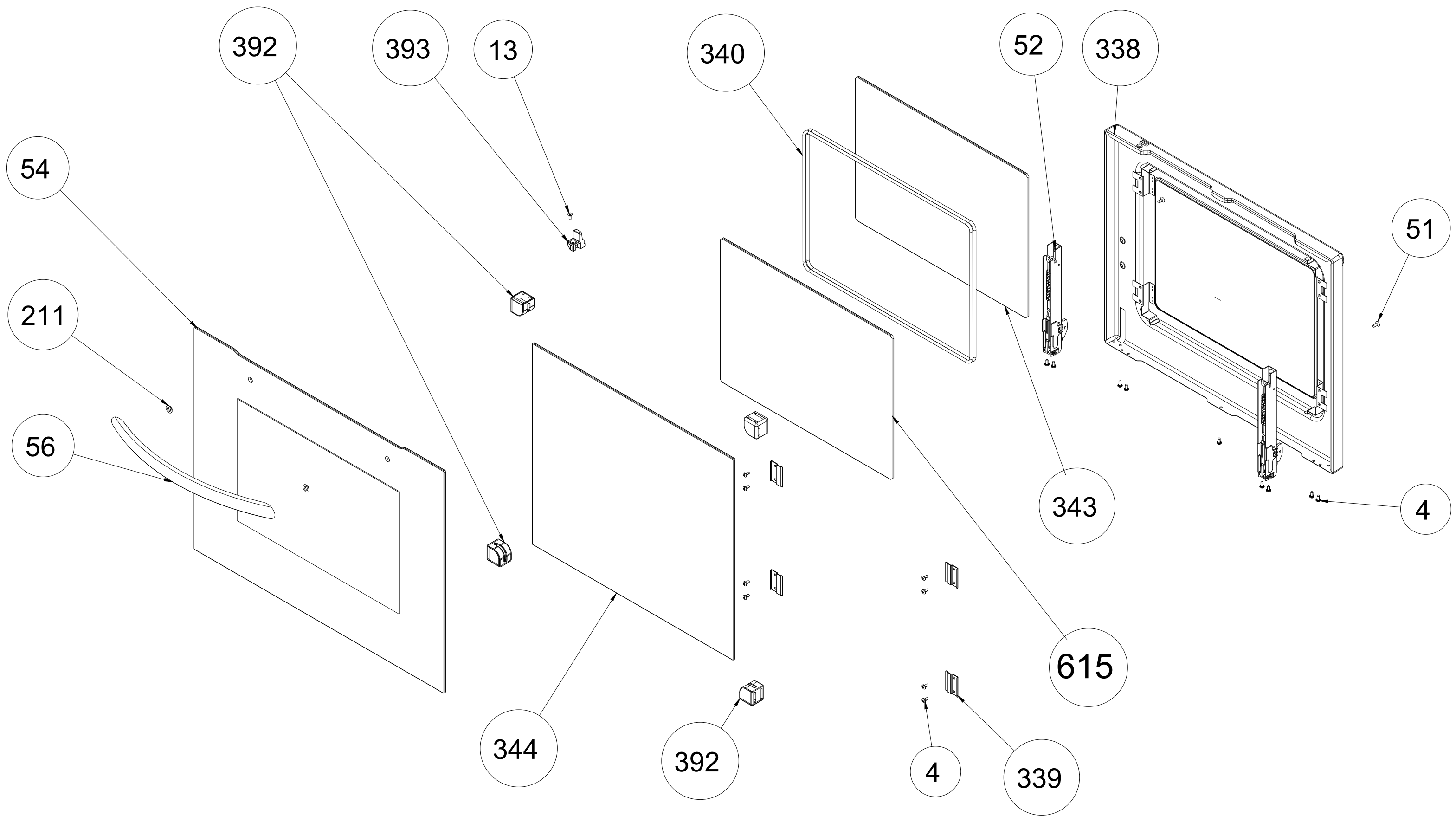
BRACKET (OPTIONAL)

SHELF (OPTIONAL)

117

115

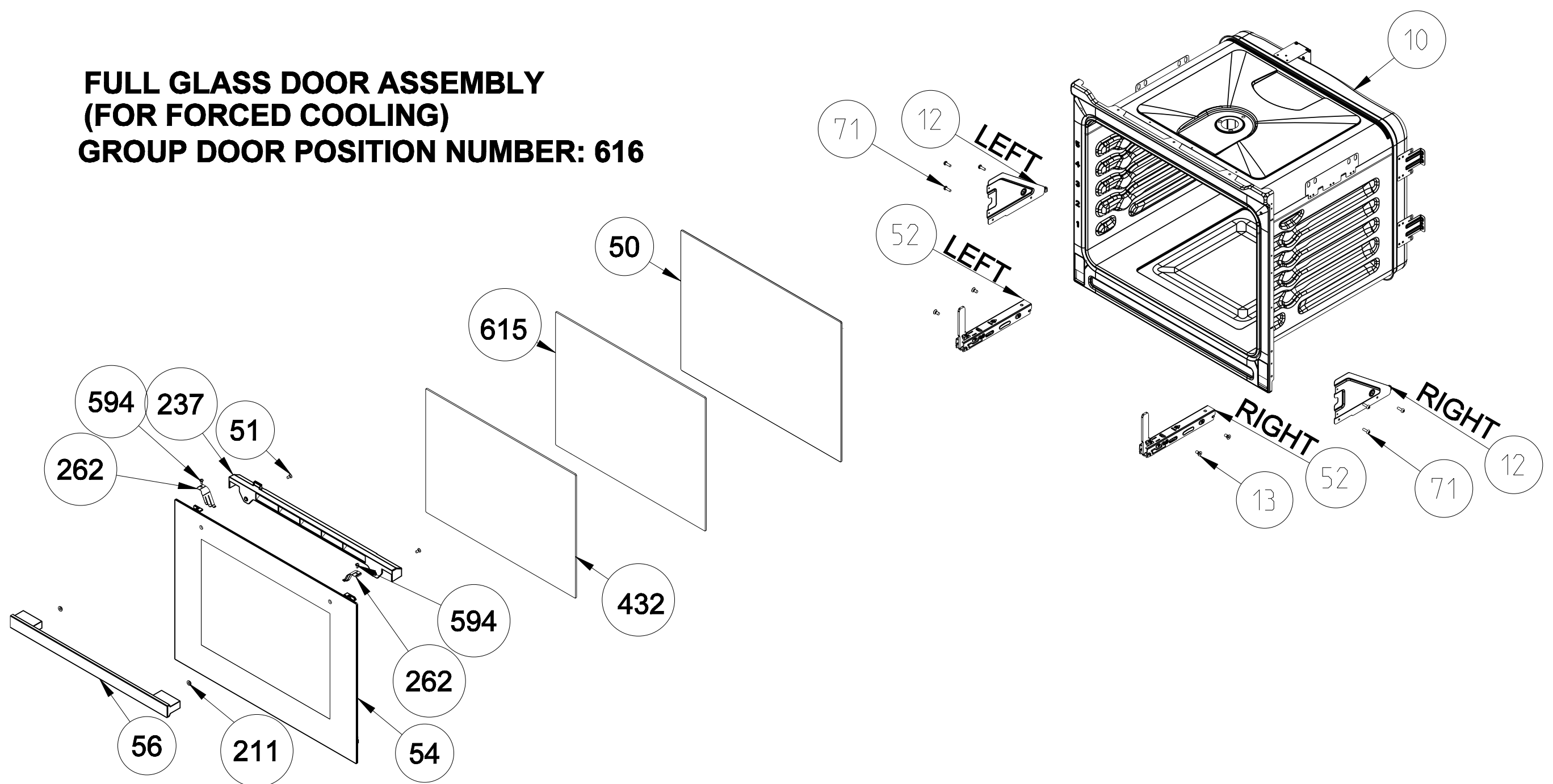
TURNSPIT (OPTIONAL)



OVEN DOOR ASSEMBLY (OUTER & INNER)
(POSITION NO 378)

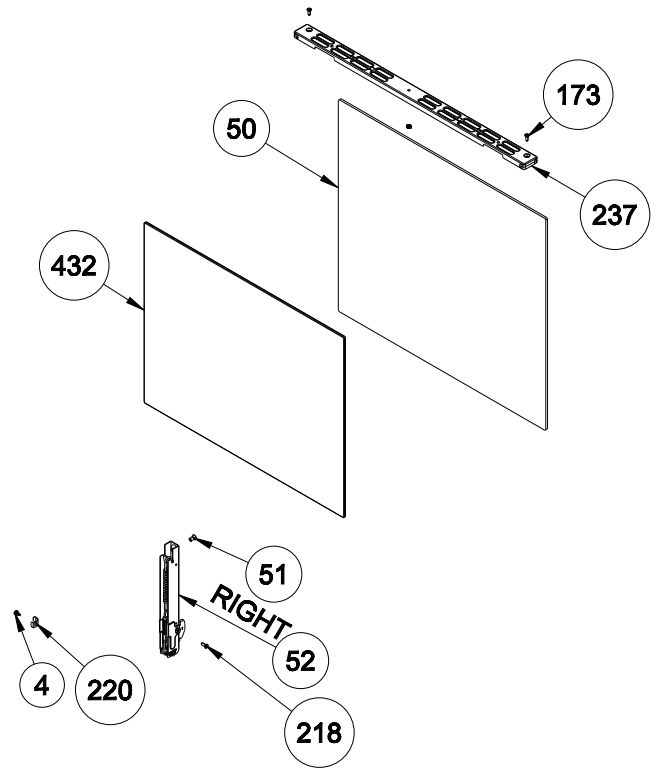
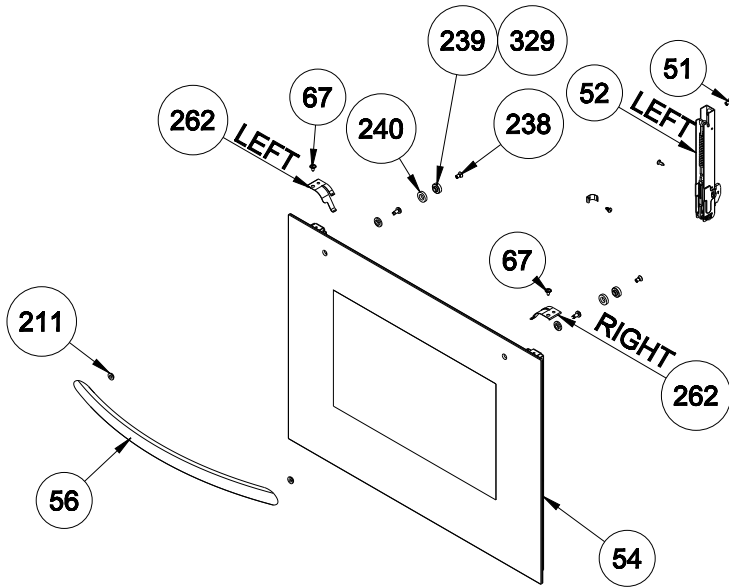
FULL GLASS DOOR ASSEMBLY (FOR FORCED COOLING)

**FULL GLASS DOOR ASSEMBLY
(FOR FORCED COOLING)
GROUP DOOR POSITION NUMBER: 616**

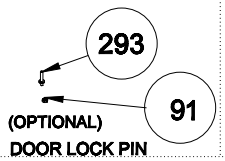
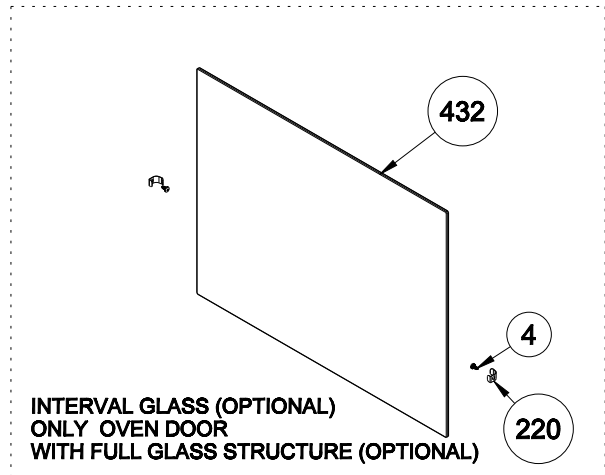
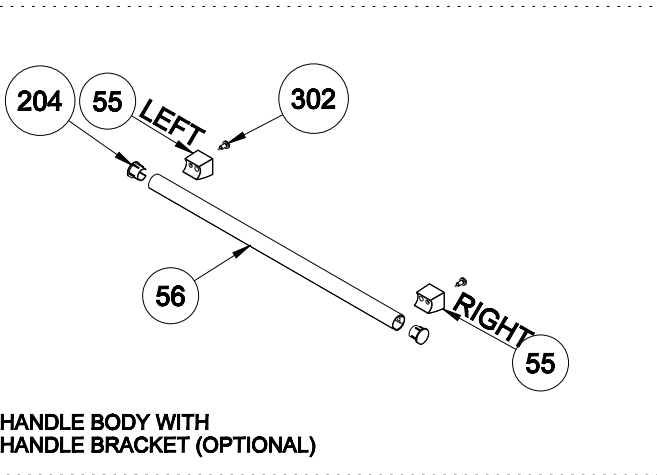


OVEN DOOR ASSEMBLY EXPLODED VIEW (OPTIONAL)

POSITION
NUMBER :377
(DOOR)

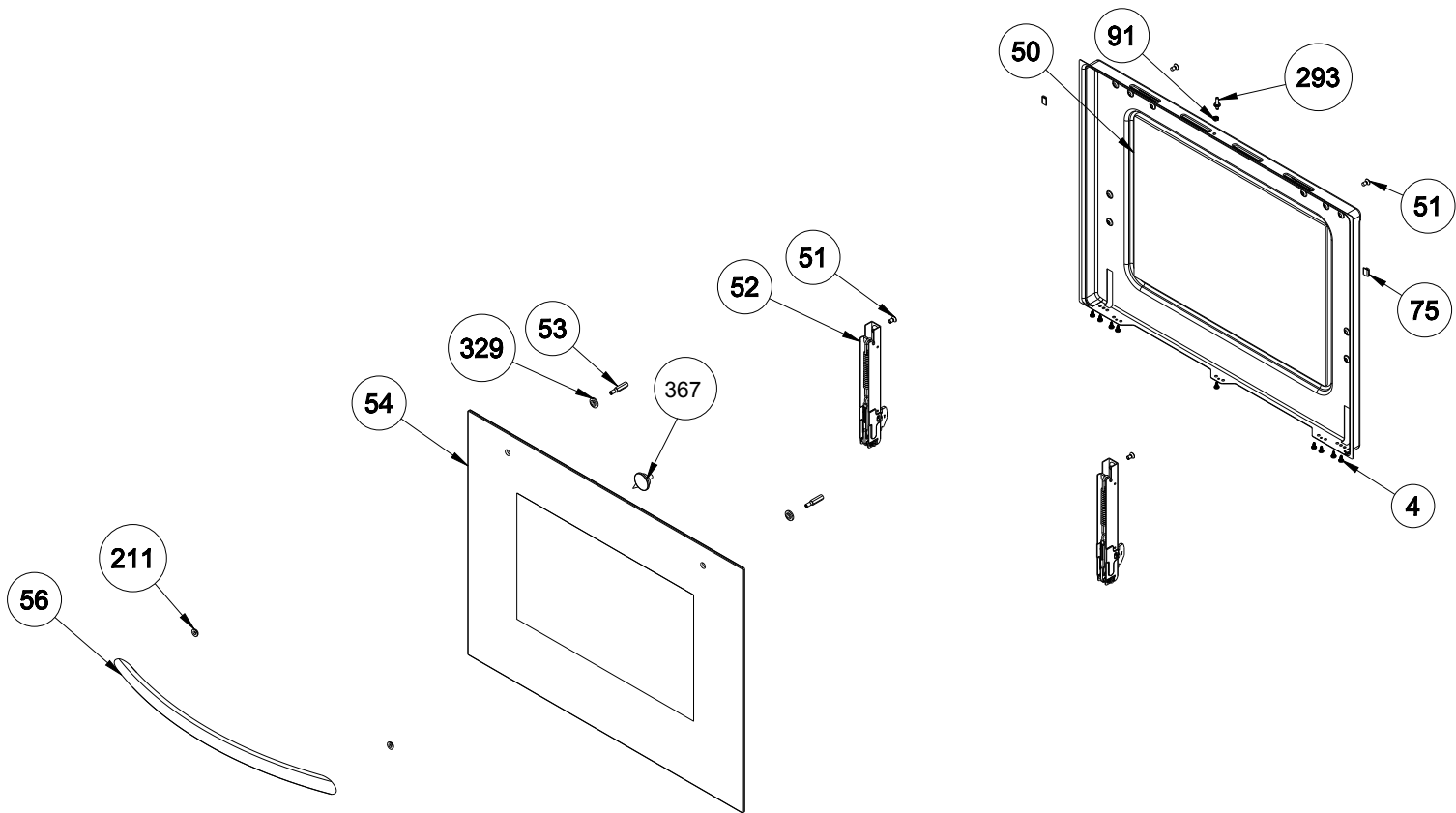


Note :
220,239,240,432 is for Removable Third Glass Versions
262,67 is for Removable Glass Versions



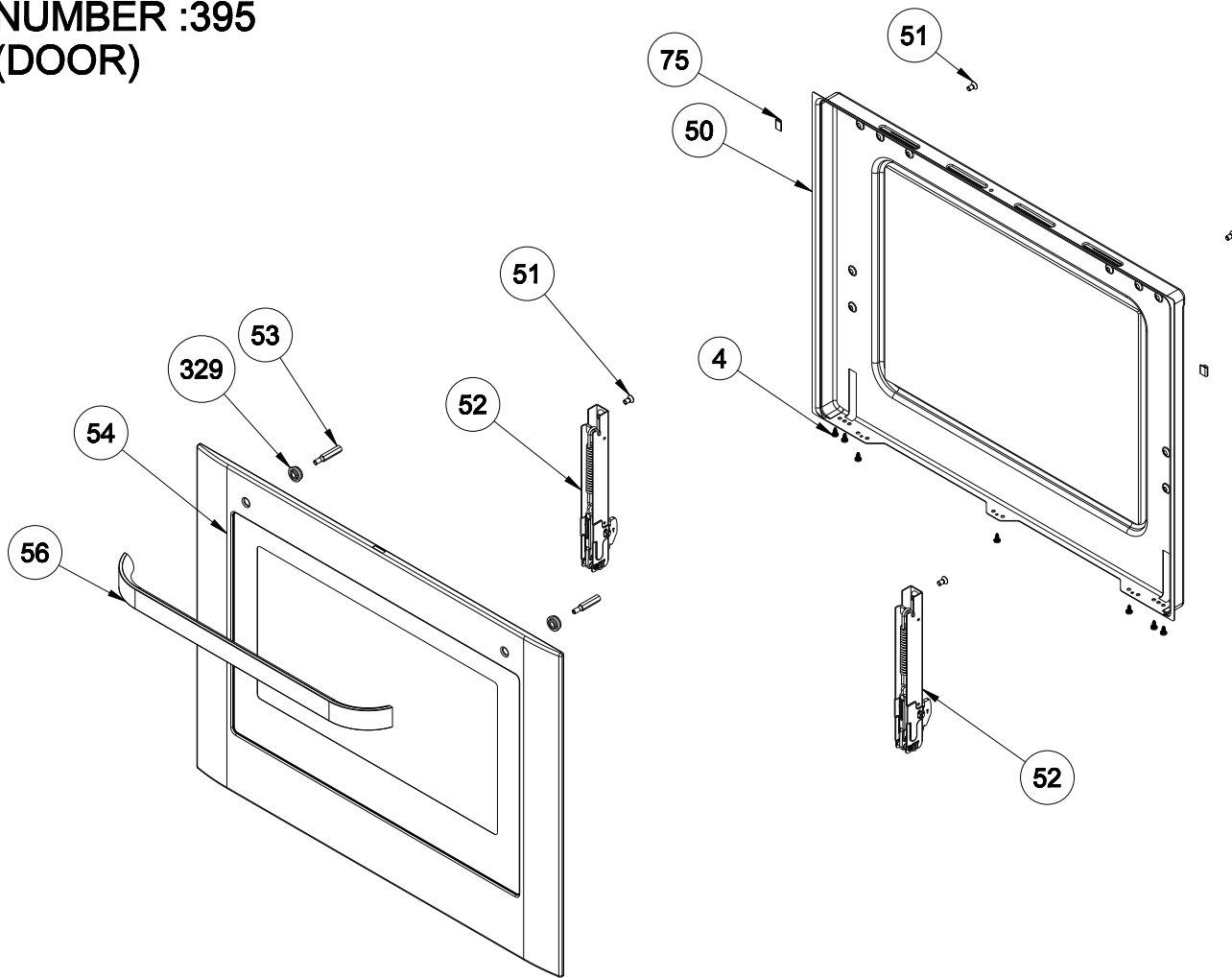
SOLID TYPE OVEN DOOR ASSEMBLY EXPLODED VIEW
(FRONT VIEW OF GLASS)
(OPTIONAL)

POSITION
NUMBER :376
(DOOR)

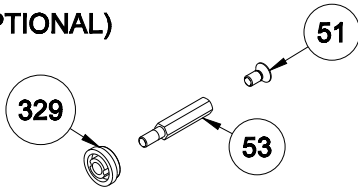


SOLID TYPE OVEN DOOR ASSEMBLY EXPLODED VIEW (FRONT VIEW OF METAL WITH GLASS) (OPTIONAL)

**POSITION
NUMBER :395
(DOOR)**

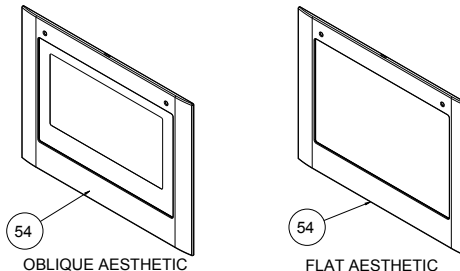


(OPTIONAL)



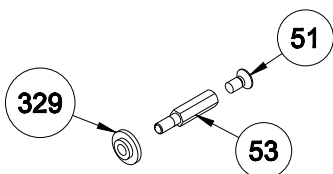
TYPE 1

**HANDLE ASSEMBLY GROUP
POSITION NUMBER : 49
(OPTIONAL)**



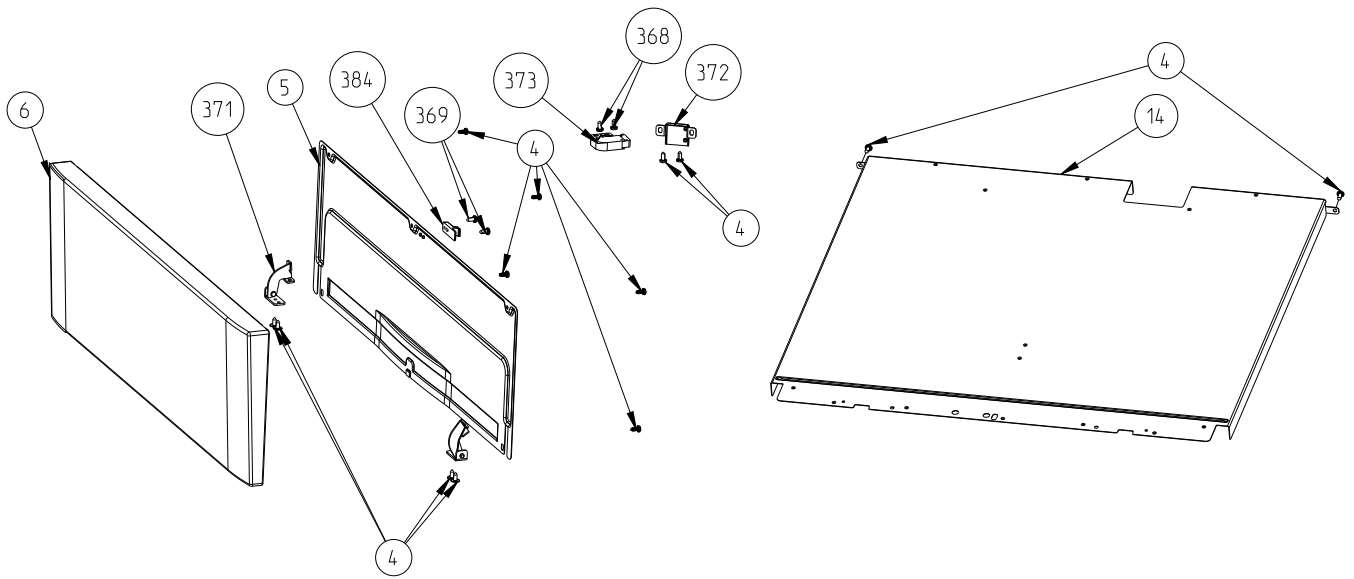
SOLID TYPE - POSITION NO 54 (OPTIONAL)

(OPTIONAL)

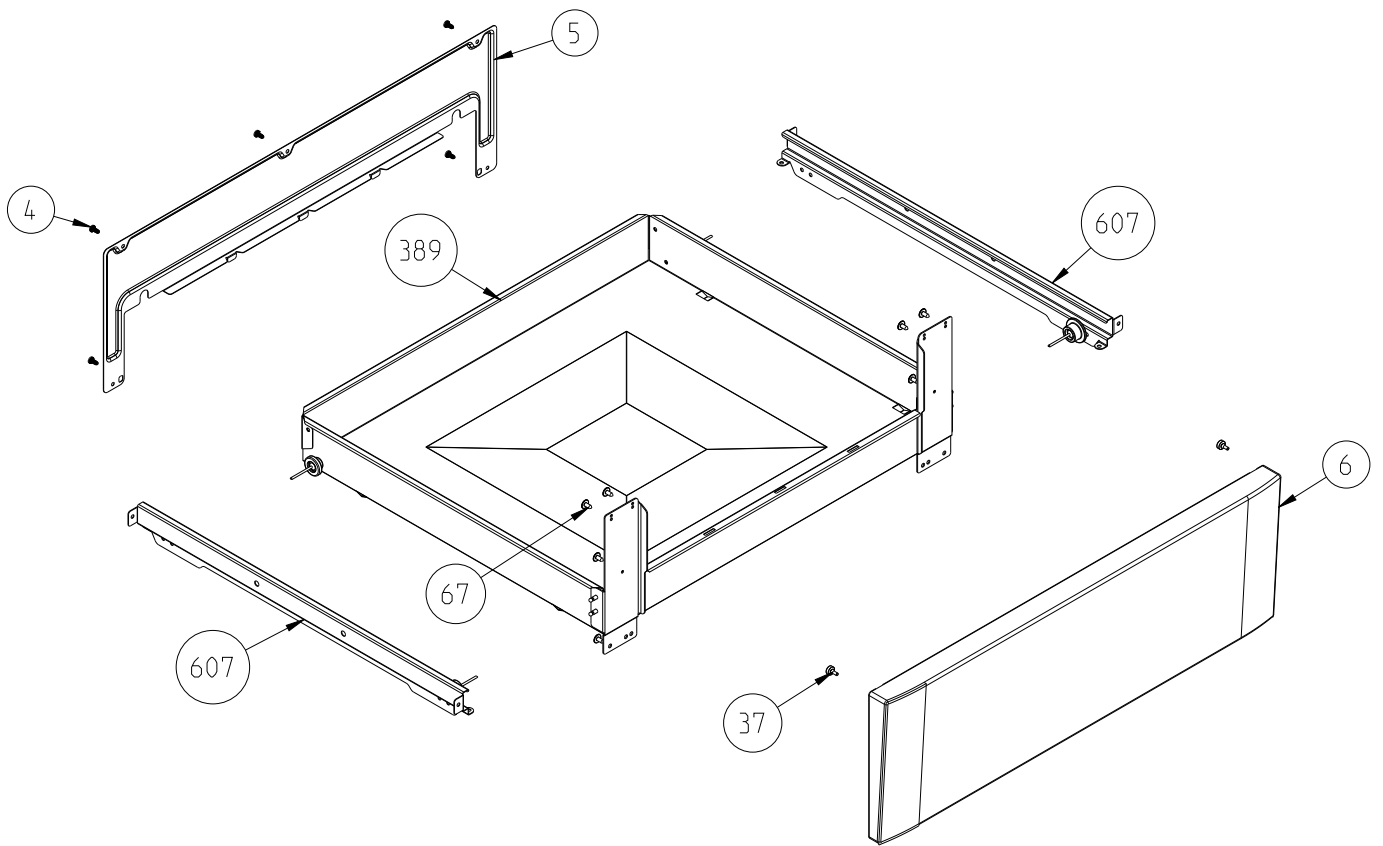


TYPE 2

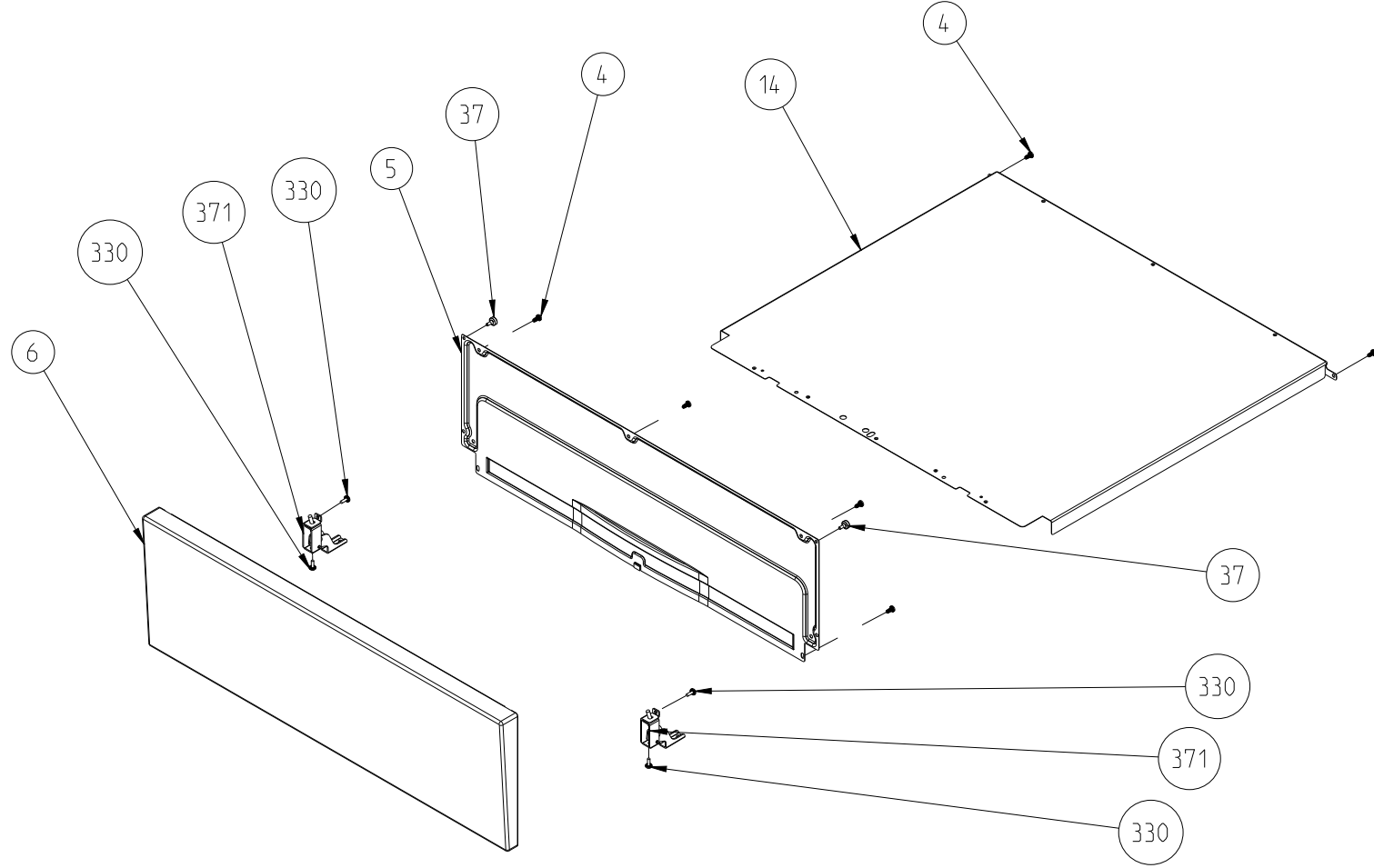
**HANDLE ASSEMBLY GROUP
POSITION NUMBER : 49
(OPTIONAL)**



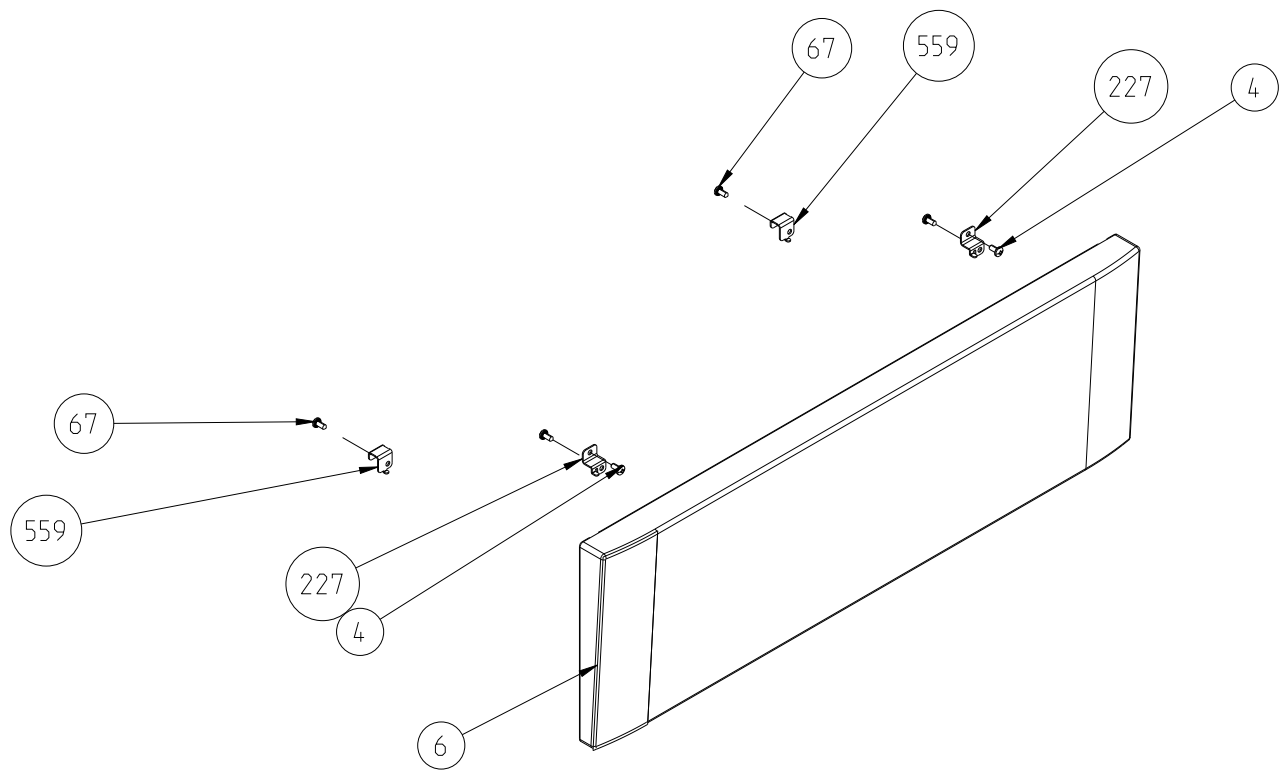
PUSH PULL FLAP DRAWER ASSEMBLY (OPTIONAL)



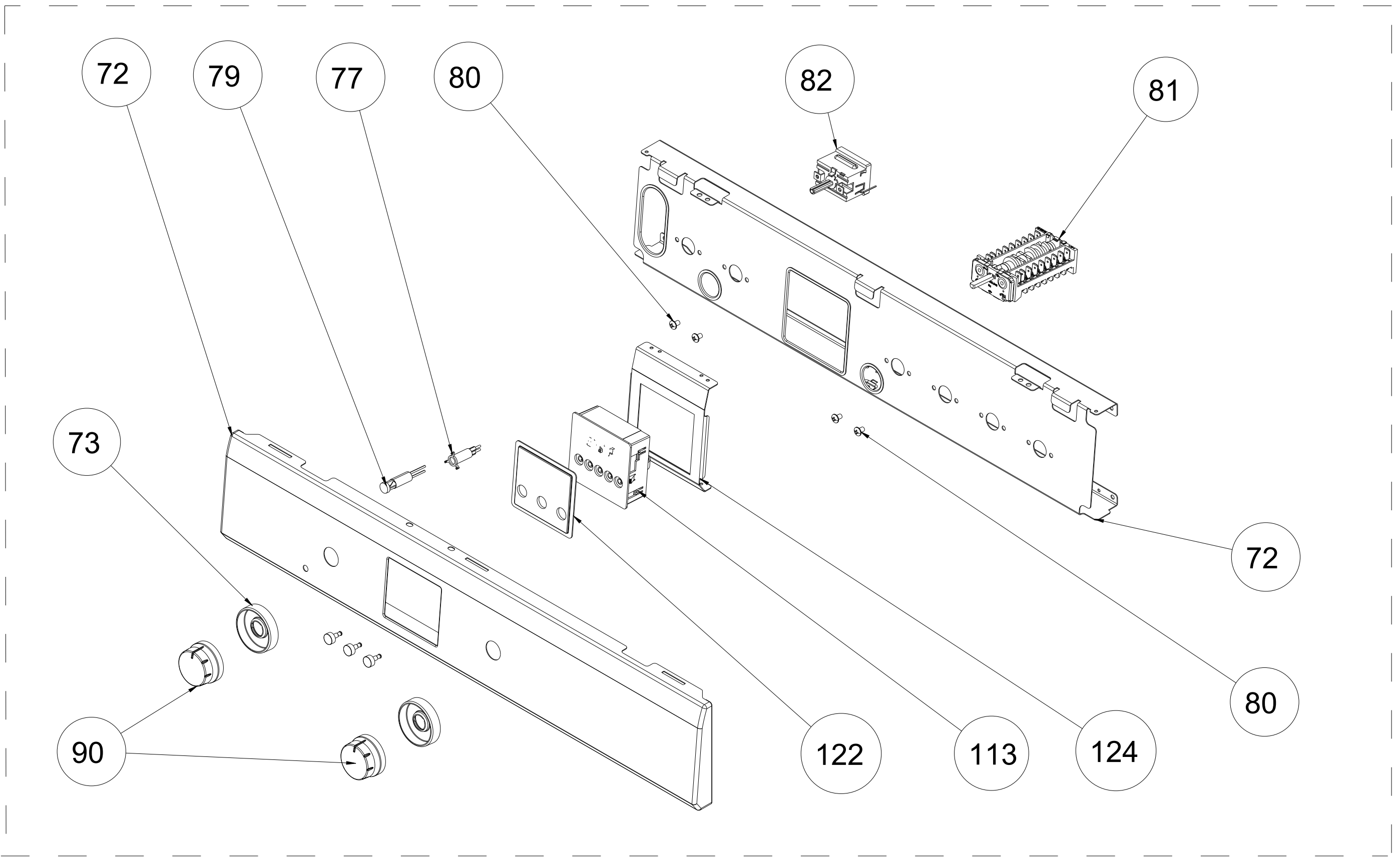
4WG DRAWER ASSEMBLY (OPTIONAL)



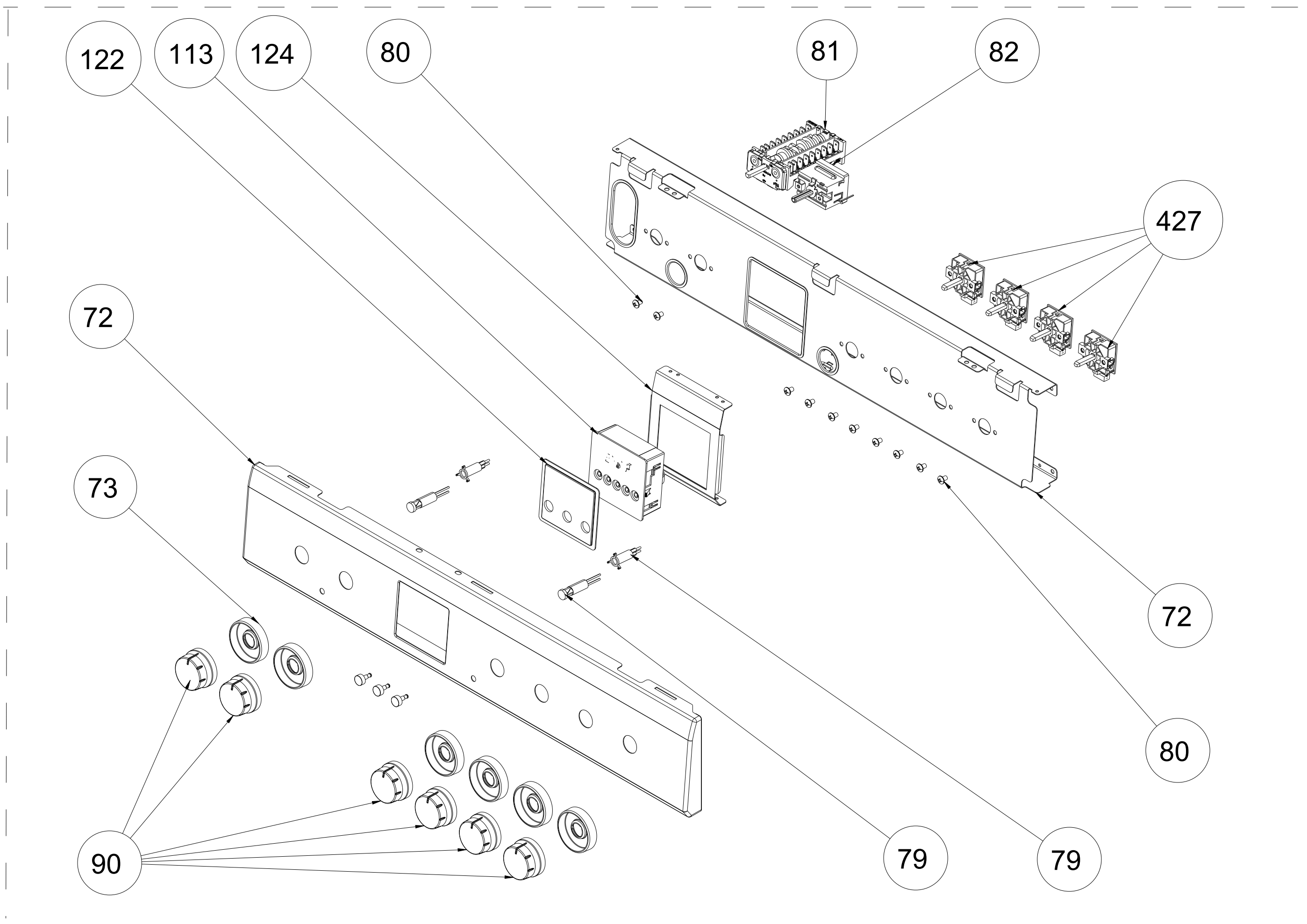
YNTB FLAP DRAWER ASSEMBLY



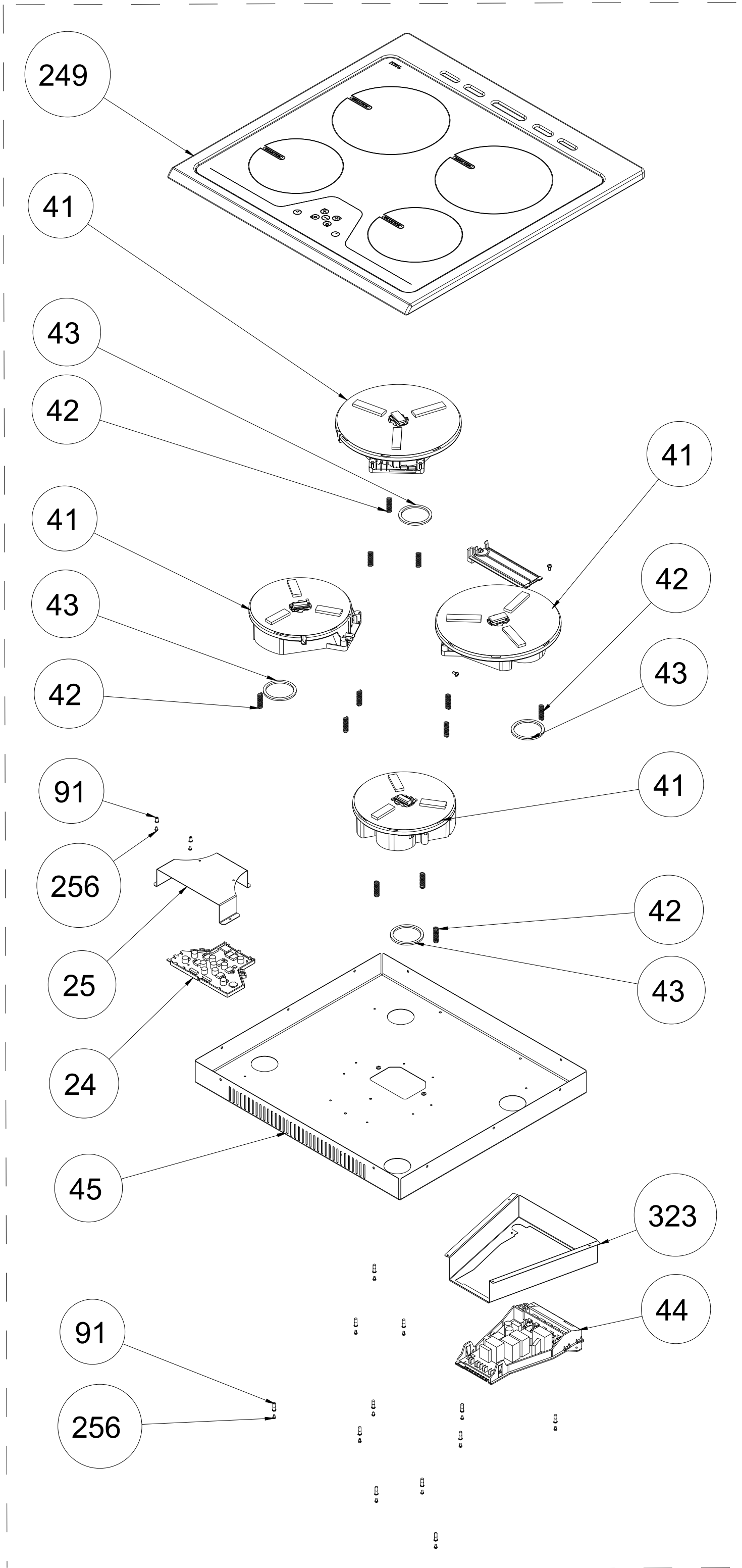
**FIXED DRAWER ASSEMBLY
(OPTIONAL)**



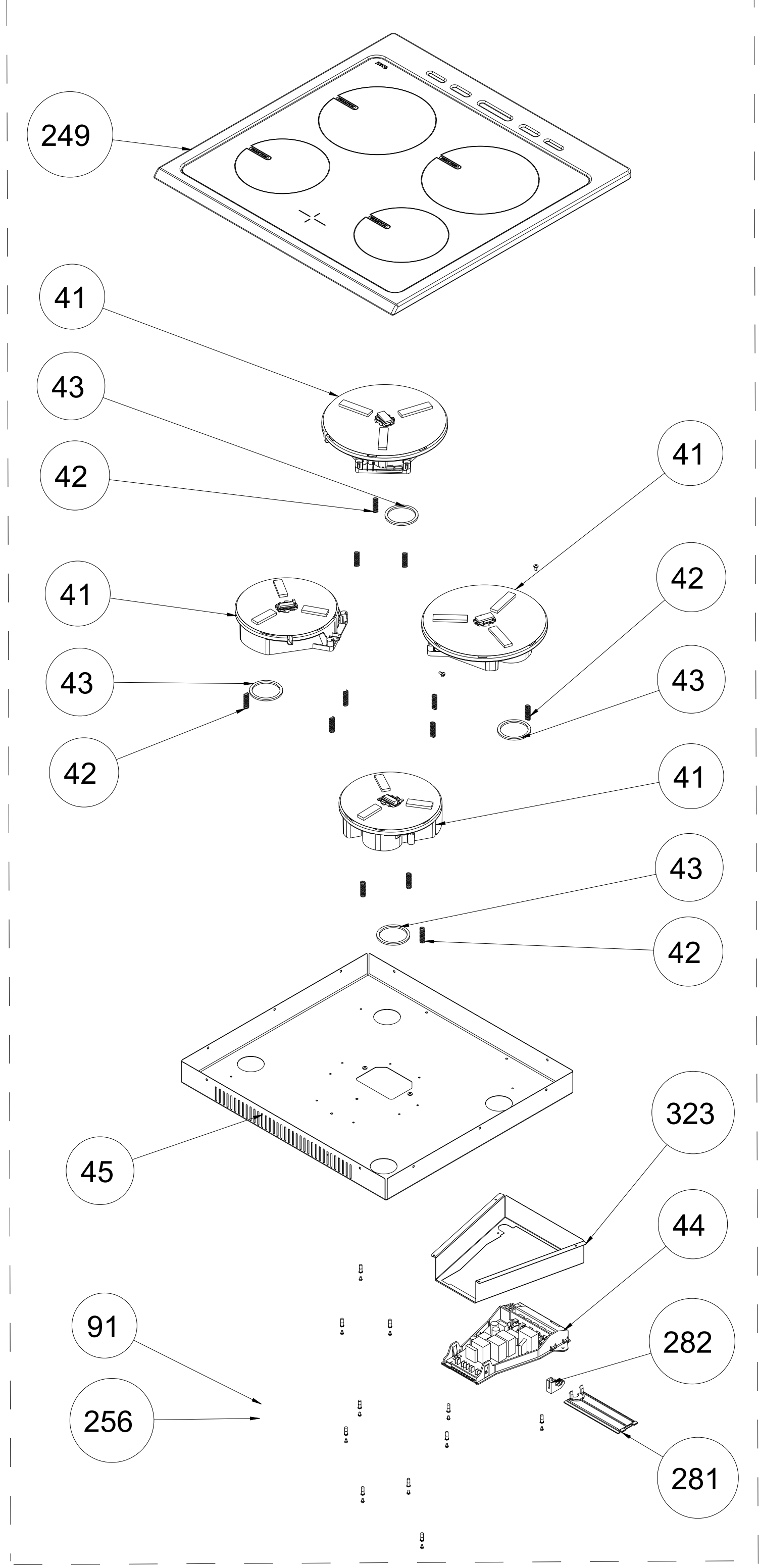
TOUCH CONTROL PANEL ASSEMBLY



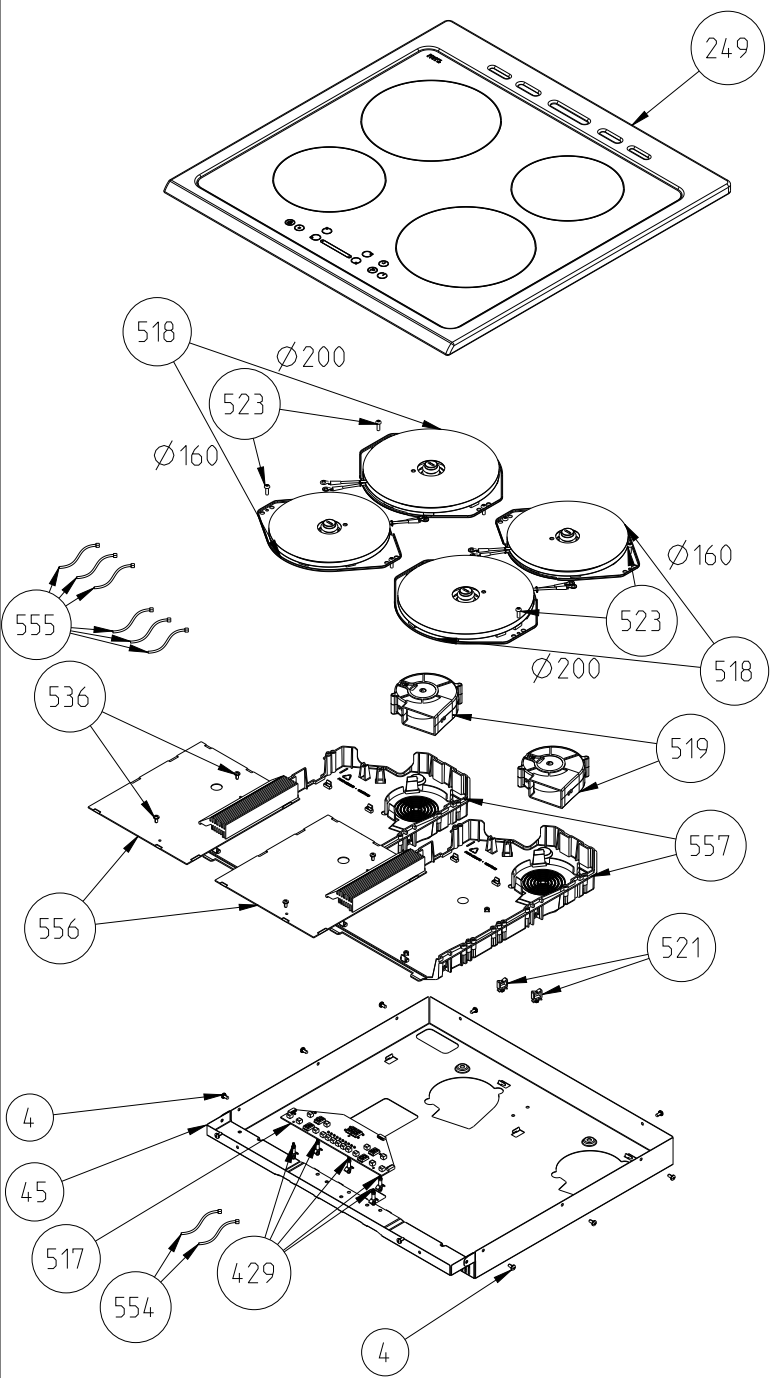
KNOB CONTROL PANEL ASSEMBLY



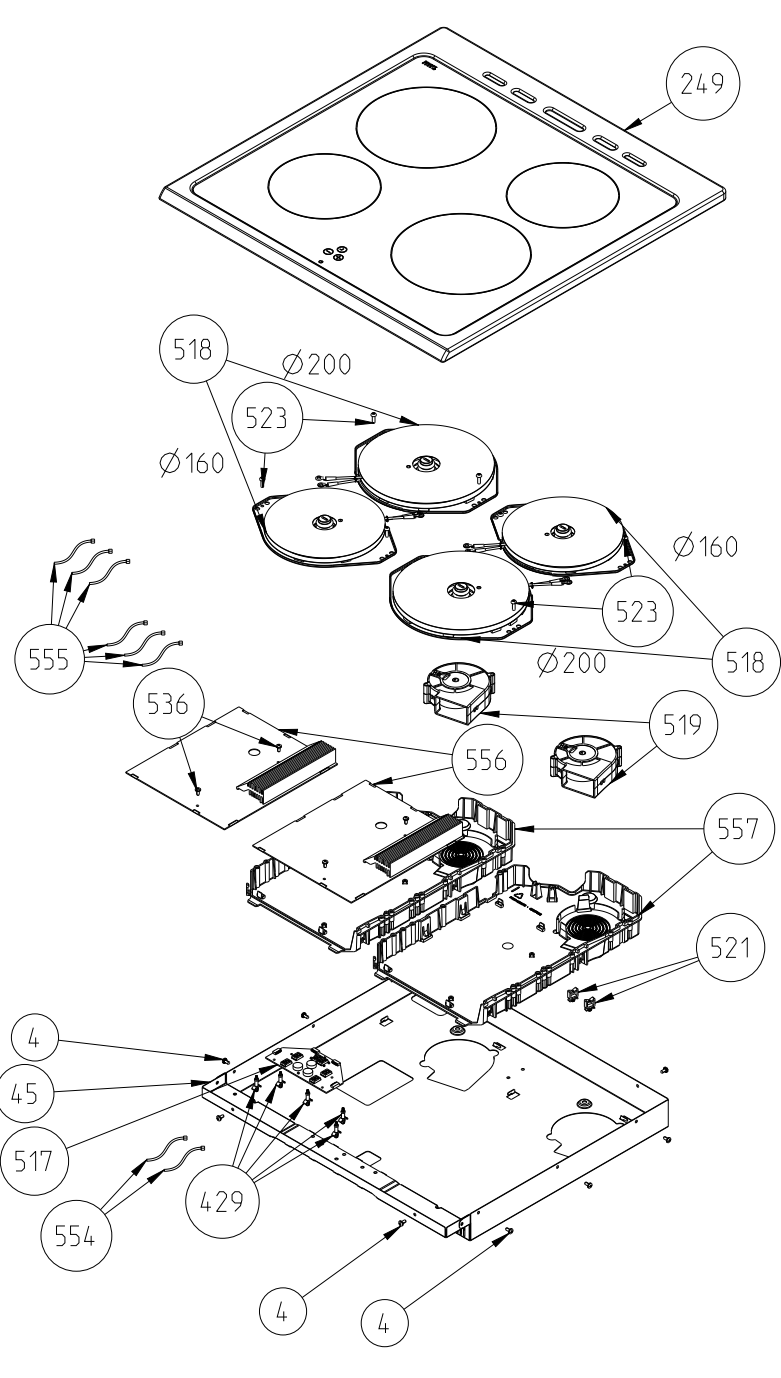
TOUCH CONTROL COOKTOP ASSEMBLY



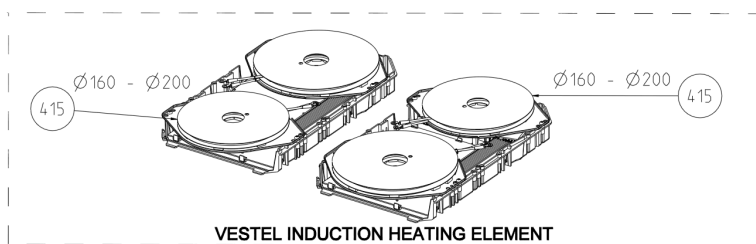
KNOB CONTROL COOKTOP ASSEMBLY



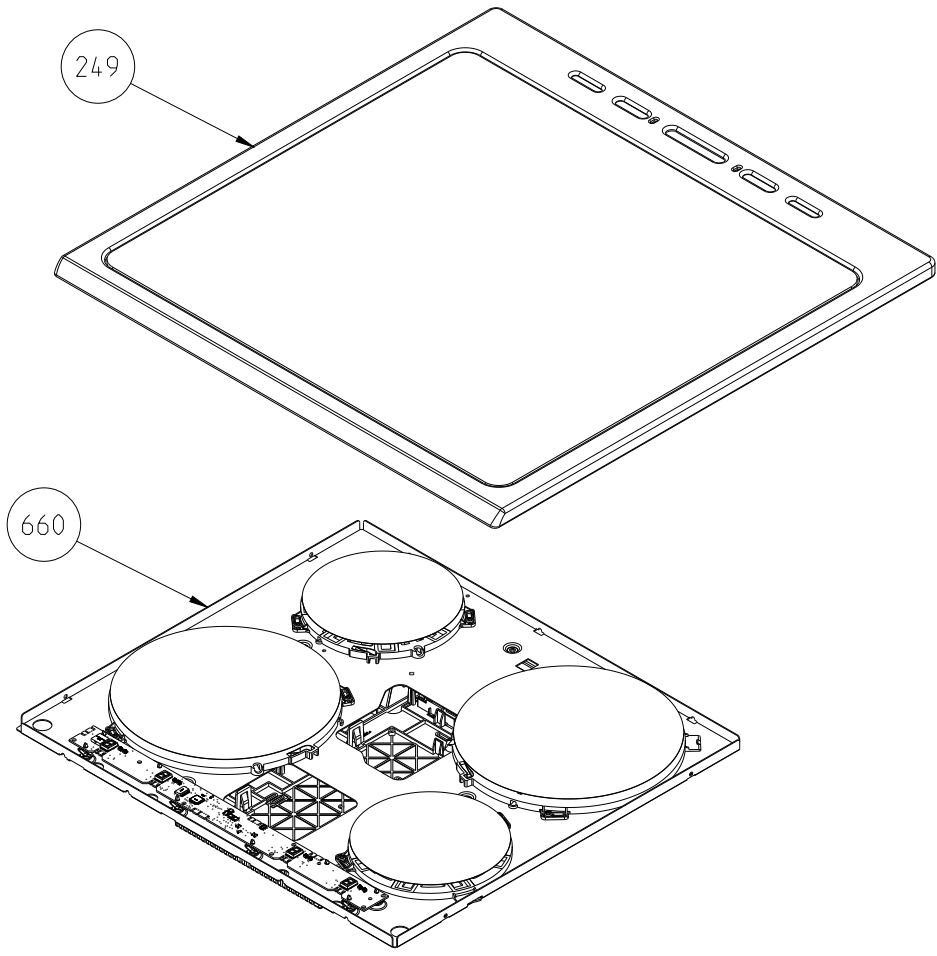
TOUCH CONTROL SLIDER COOKTOP ASSEMBLY



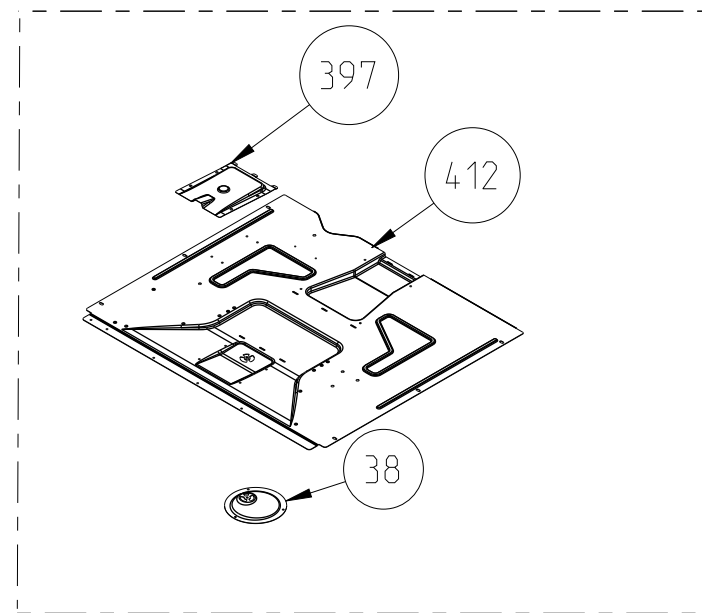
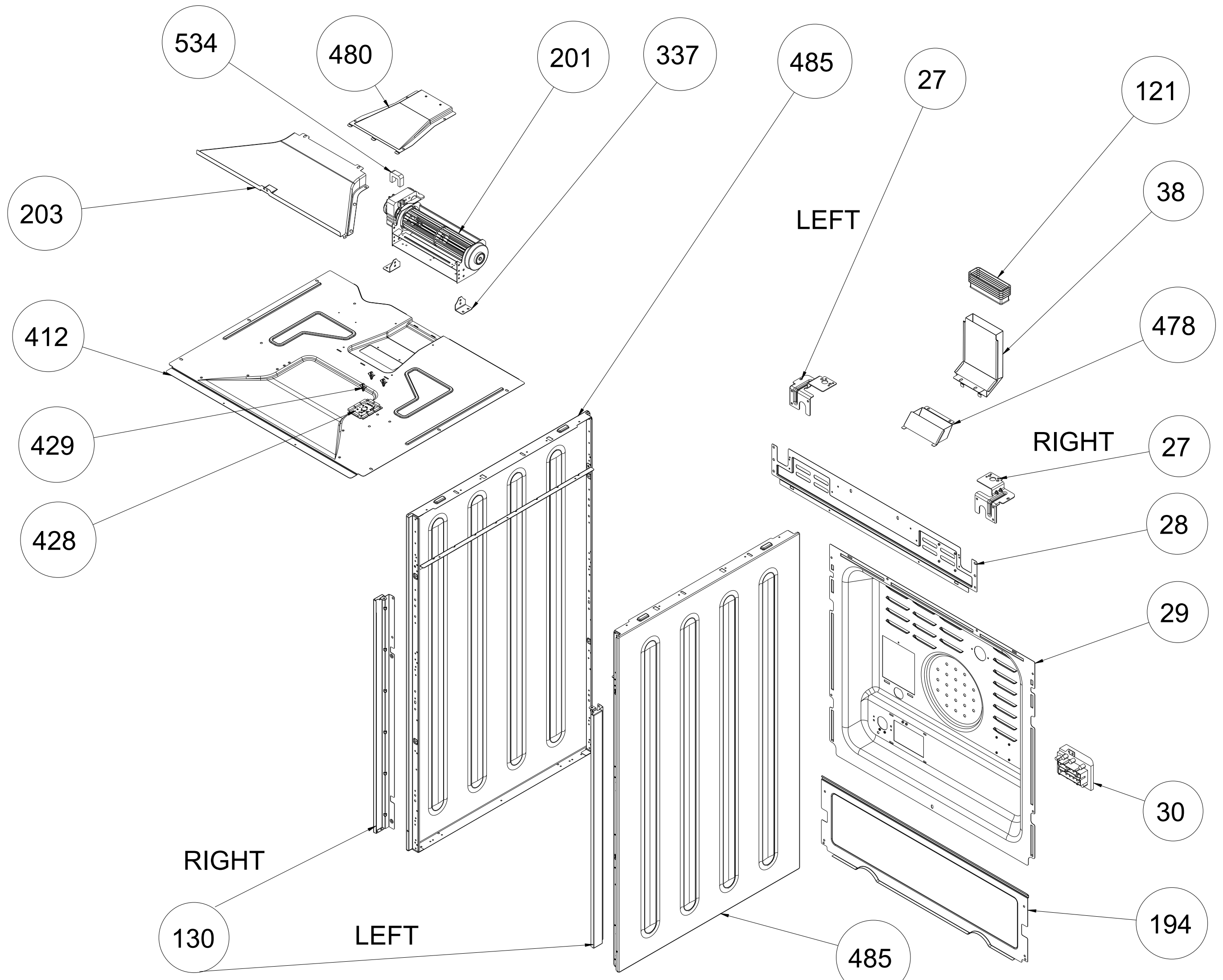
KNOB CONTROL COOKTOP ASSEMBLY



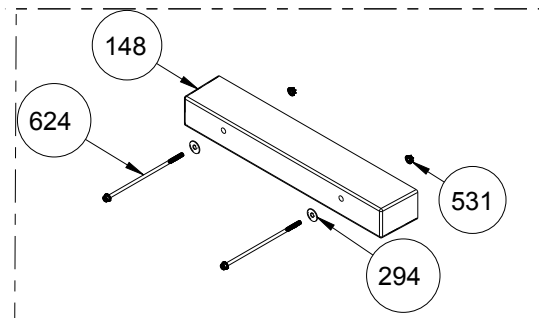
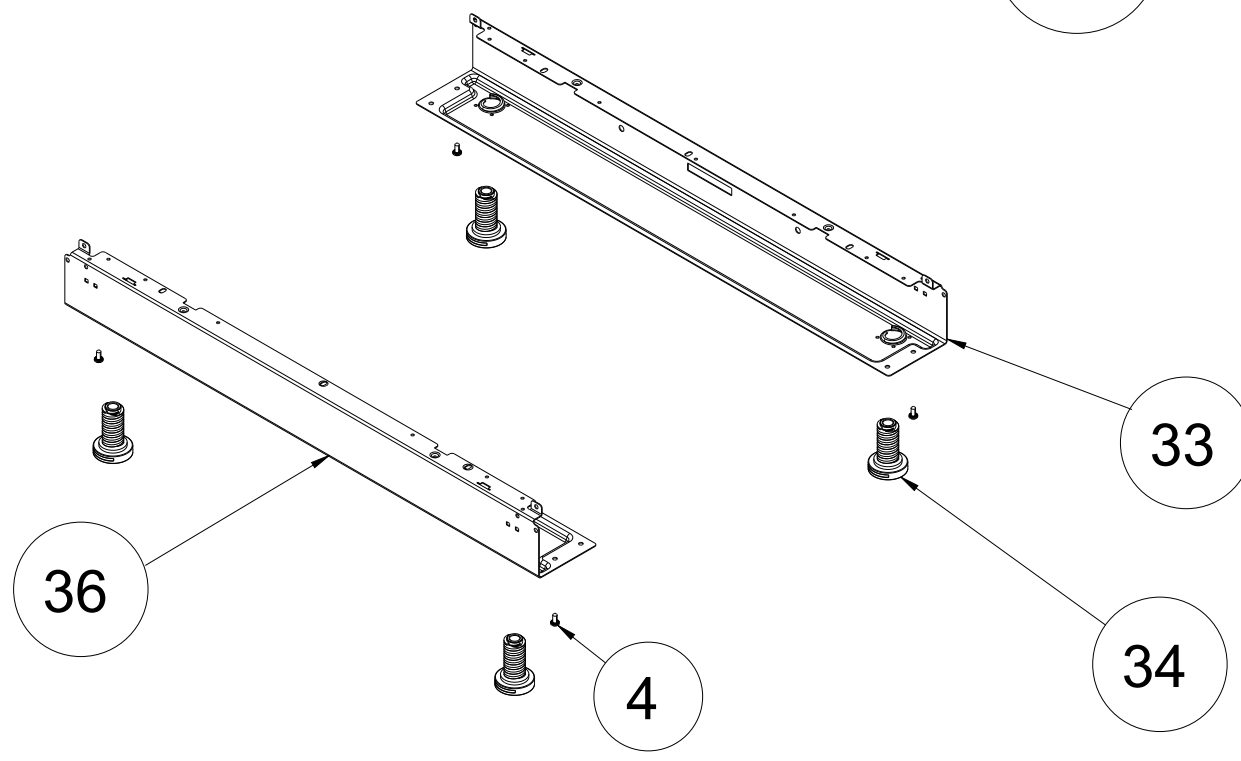
VESTEL INDUCTION HEATING ELEMENT



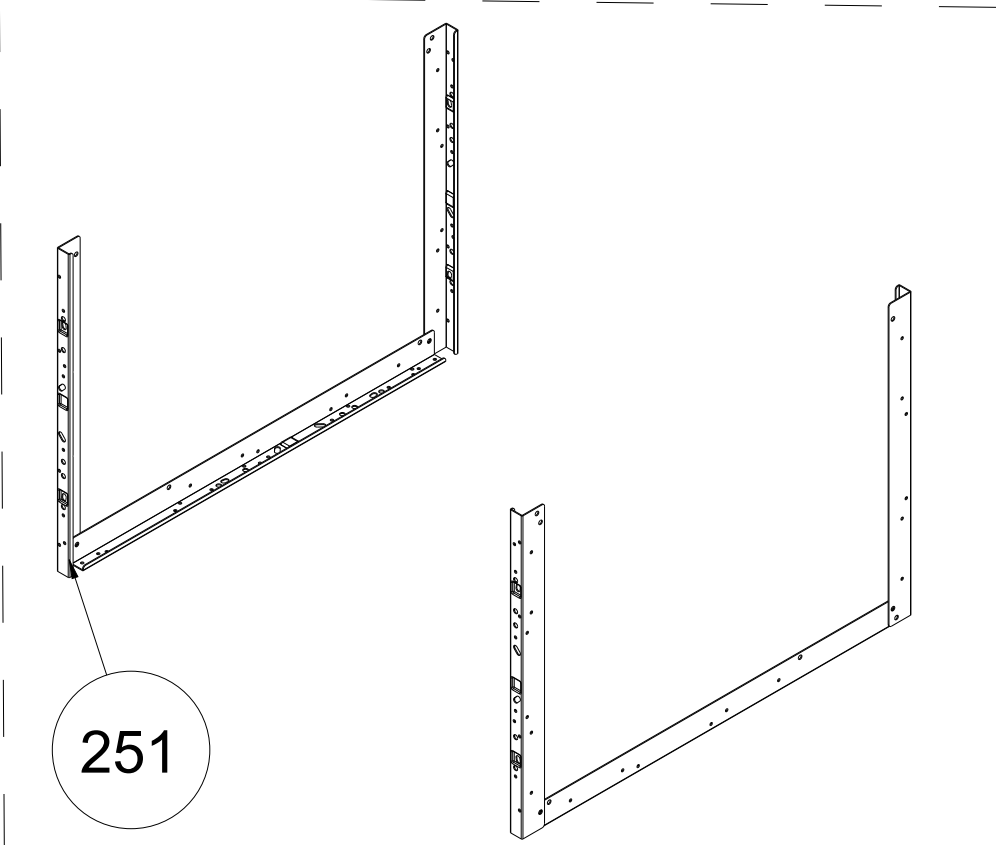
ASSEMBLY EXPLODED VIEW



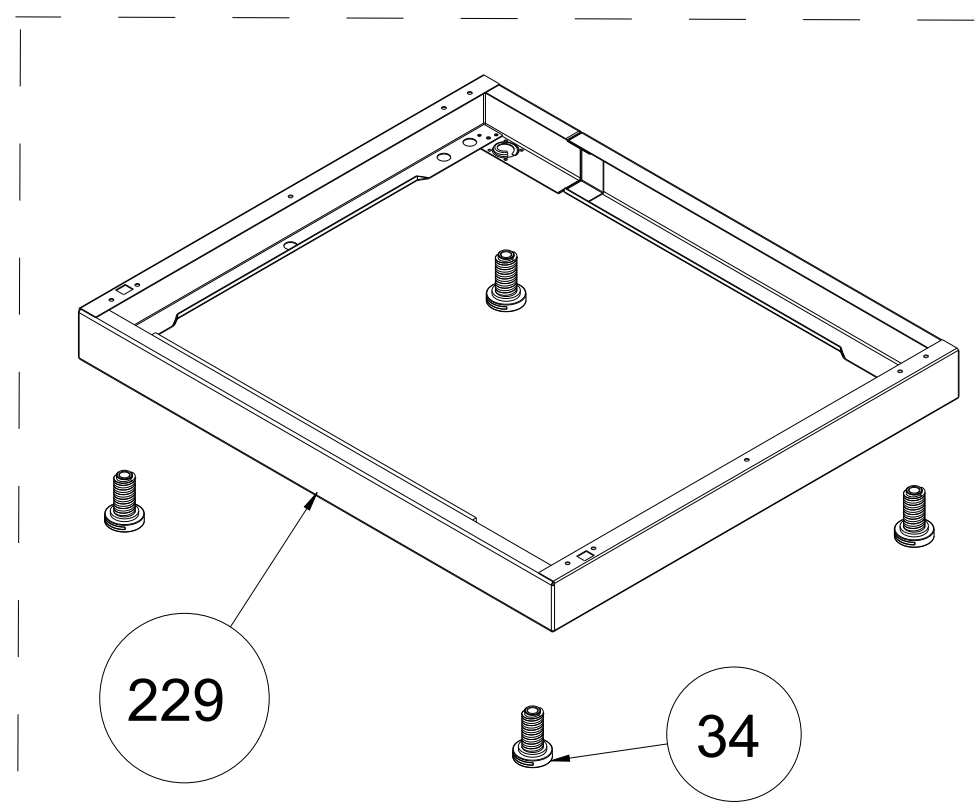
VESTEL INDUCTION EXHAUST GROUP



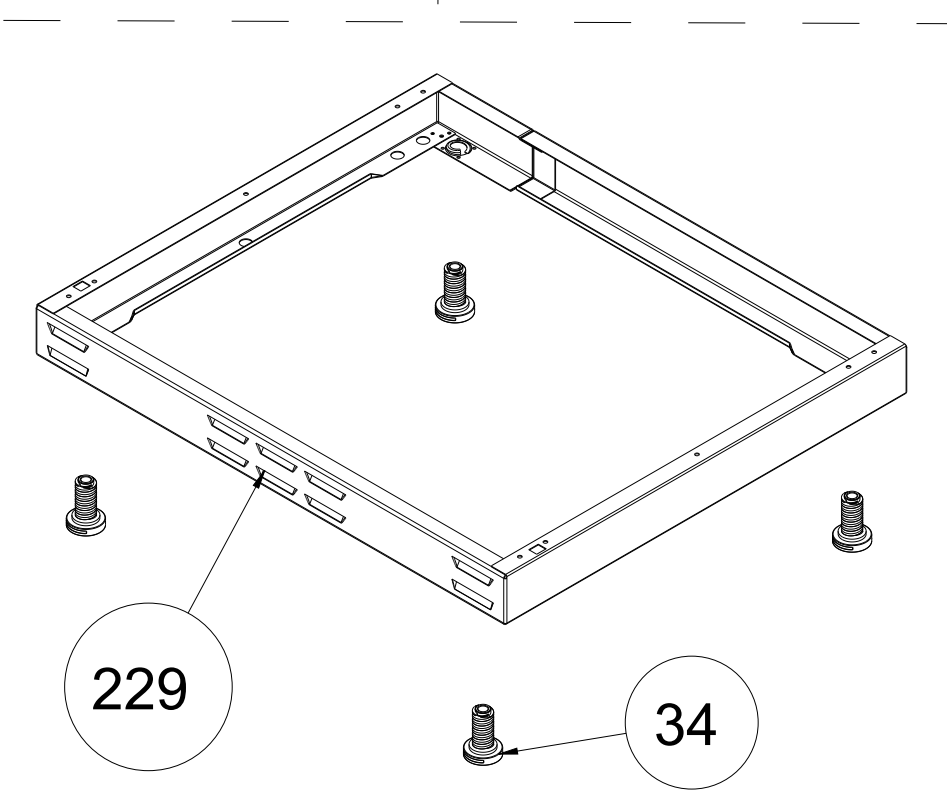
CONCRETE WEIGHT
Revision date : 01.04.2017



SIDE PANEL SUPPORT BRACKET
(ONLY FOR 85 CM)



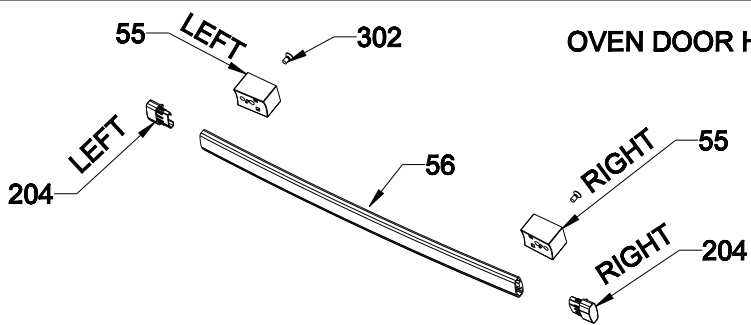
ADDITIONAL BOTTOM SUPPORT



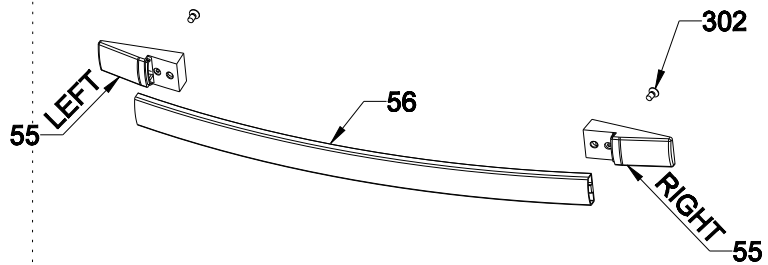
EXTRA BOTTOM SUPPORT
(WITH LOUVRES)

OPTIONAL (ONLY FOR FS 90 CM)

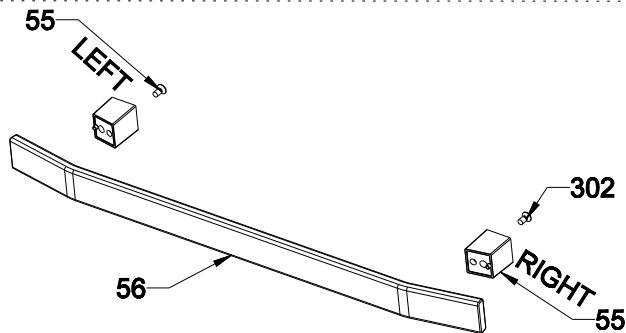
OVEN DOOR HANDLES (OPTIONAL)



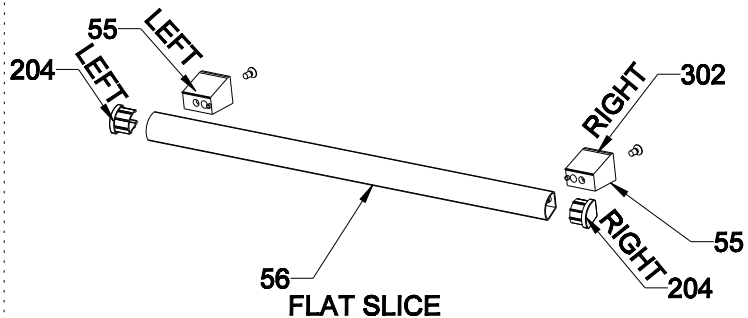
CURVED QUADRANGLE



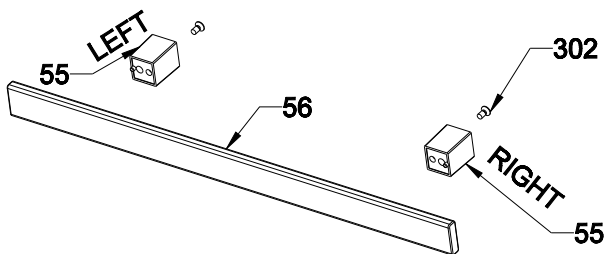
ARC QUADRANGLE



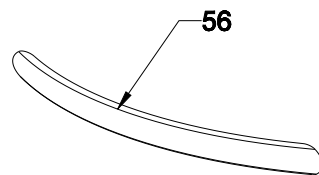
3D QUADRANGLE



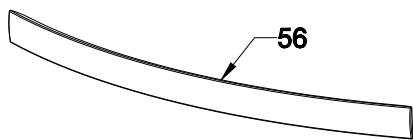
FLAT SLICE



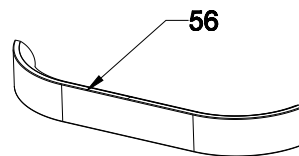
FLAT QUADRANGLE



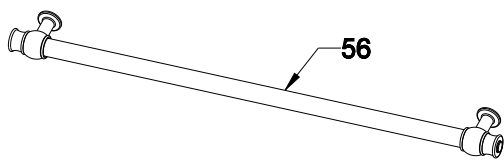
ELLIPSE ARC



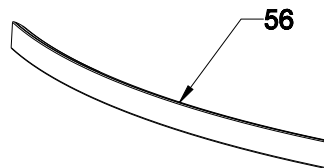
D PROFILE ARC, ELECTROLUX



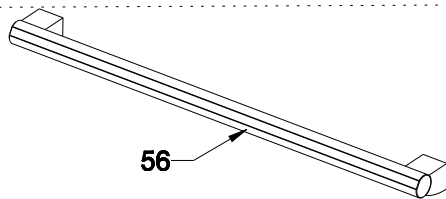
BOW



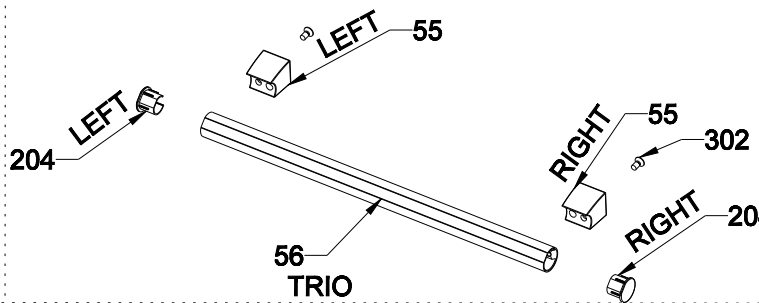
RUSTIK RISUS



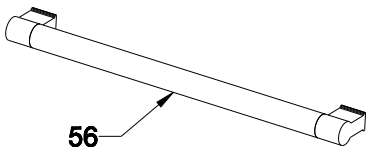
D PROFILE ARC



METALUX

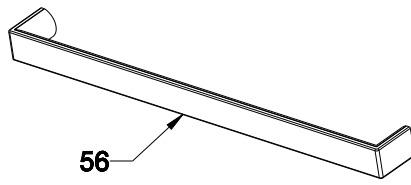


TRIO



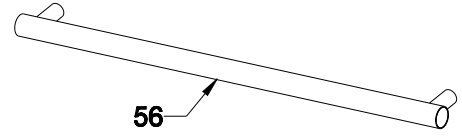
56

TROY



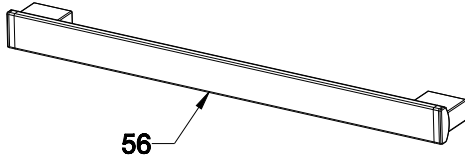
56

VERO



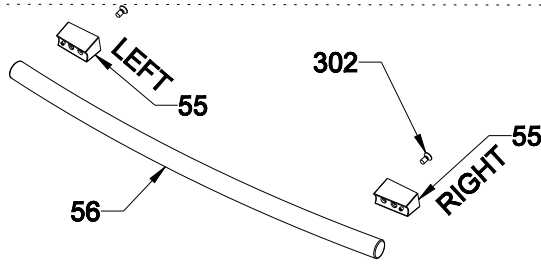
56

CYLINDER



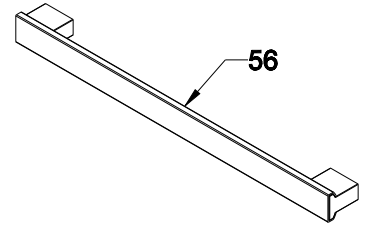
56

JUNO VESTEL ONLY



56

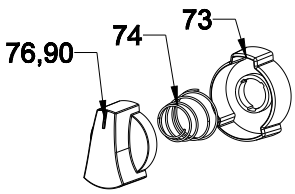
ARC TUBE



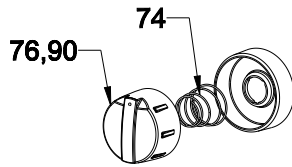
56

TITAN VESTEL & SHARP ONLY

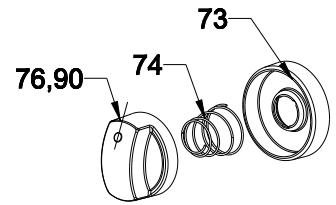
KNOBS (NEW FREESTANDING OVEN ONLY - OPTIONAL)



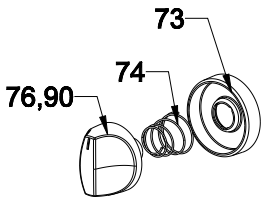
DELTA RING



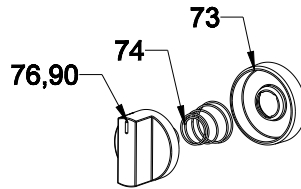
ANTERO



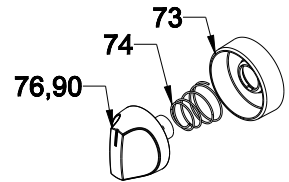
ECLIPSE RING



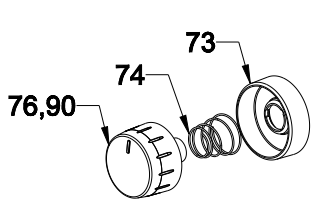
GAMA RING



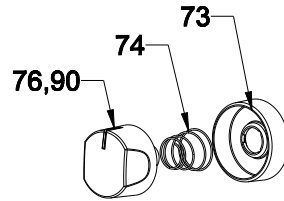
NORD RING



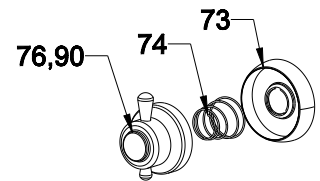
PELGIRIM



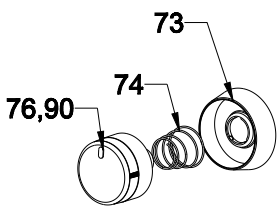
OMEGA



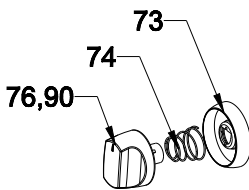
RIMO RING



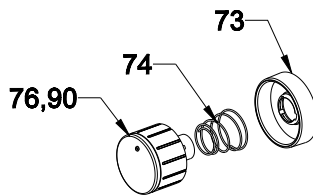
RUSTIK RISUS RING



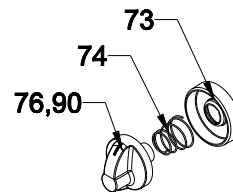
SIGMA



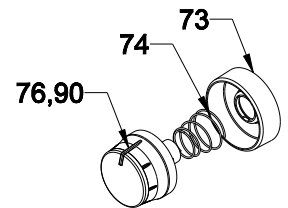
TRIO



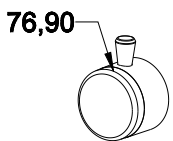
SMALL MACRO RING



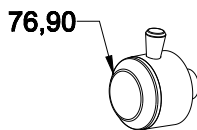
VARIO RING



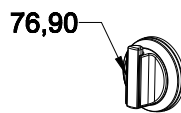
SPEKTRUM



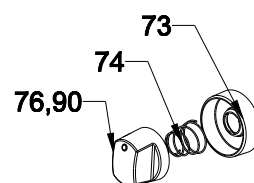
AGA CLASSIC ONLY



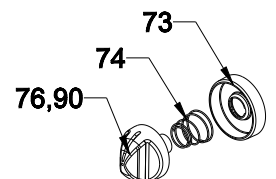
AGA KITCHENER ONLY



AGA PROFESSIONAL ONLY



VESTA



ZETA RING