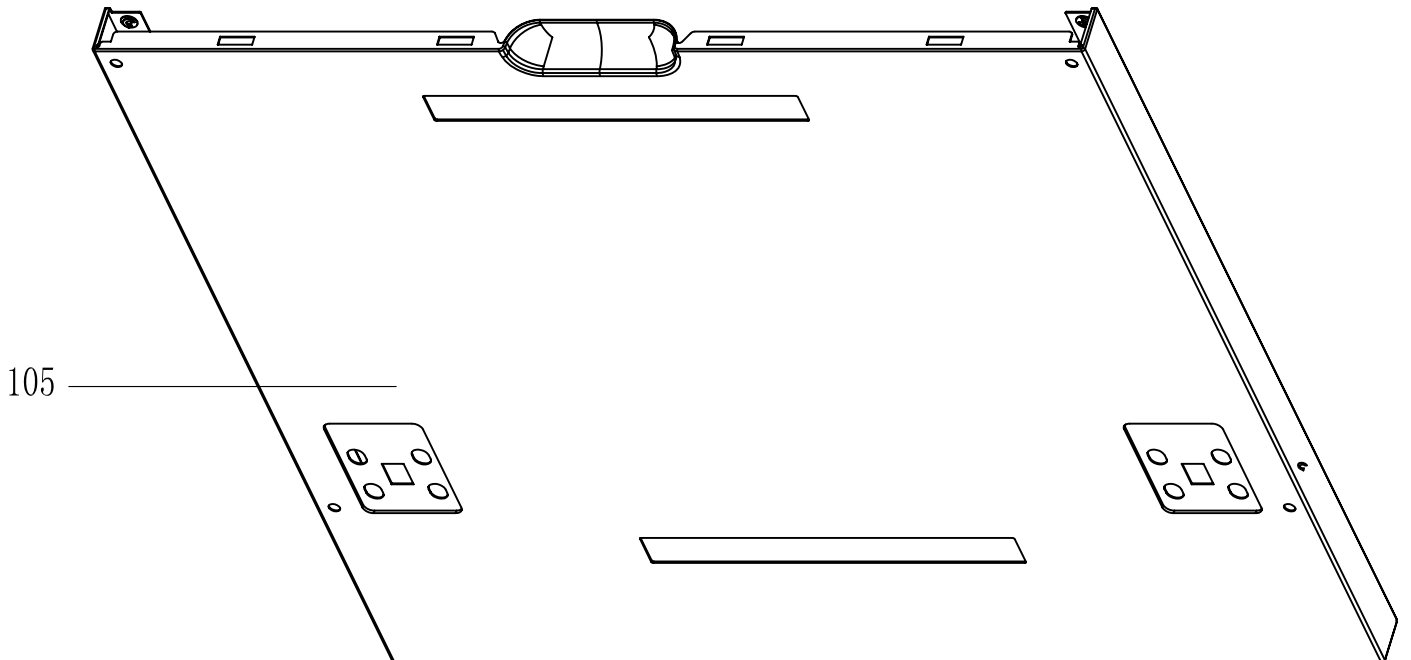
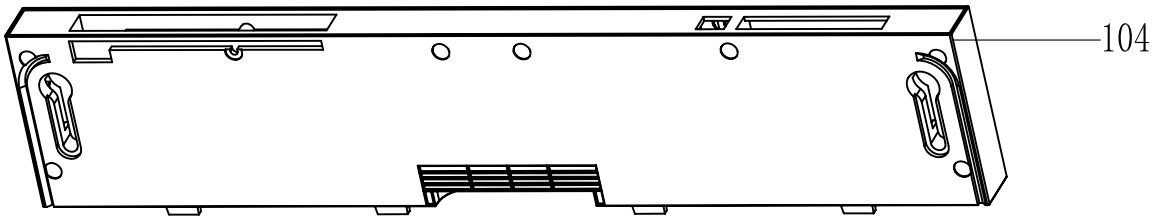
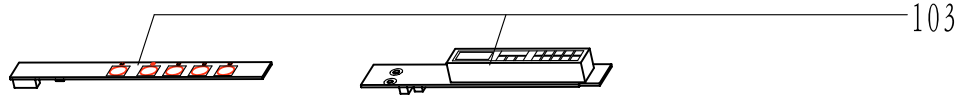
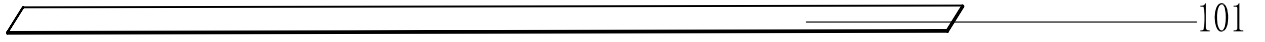
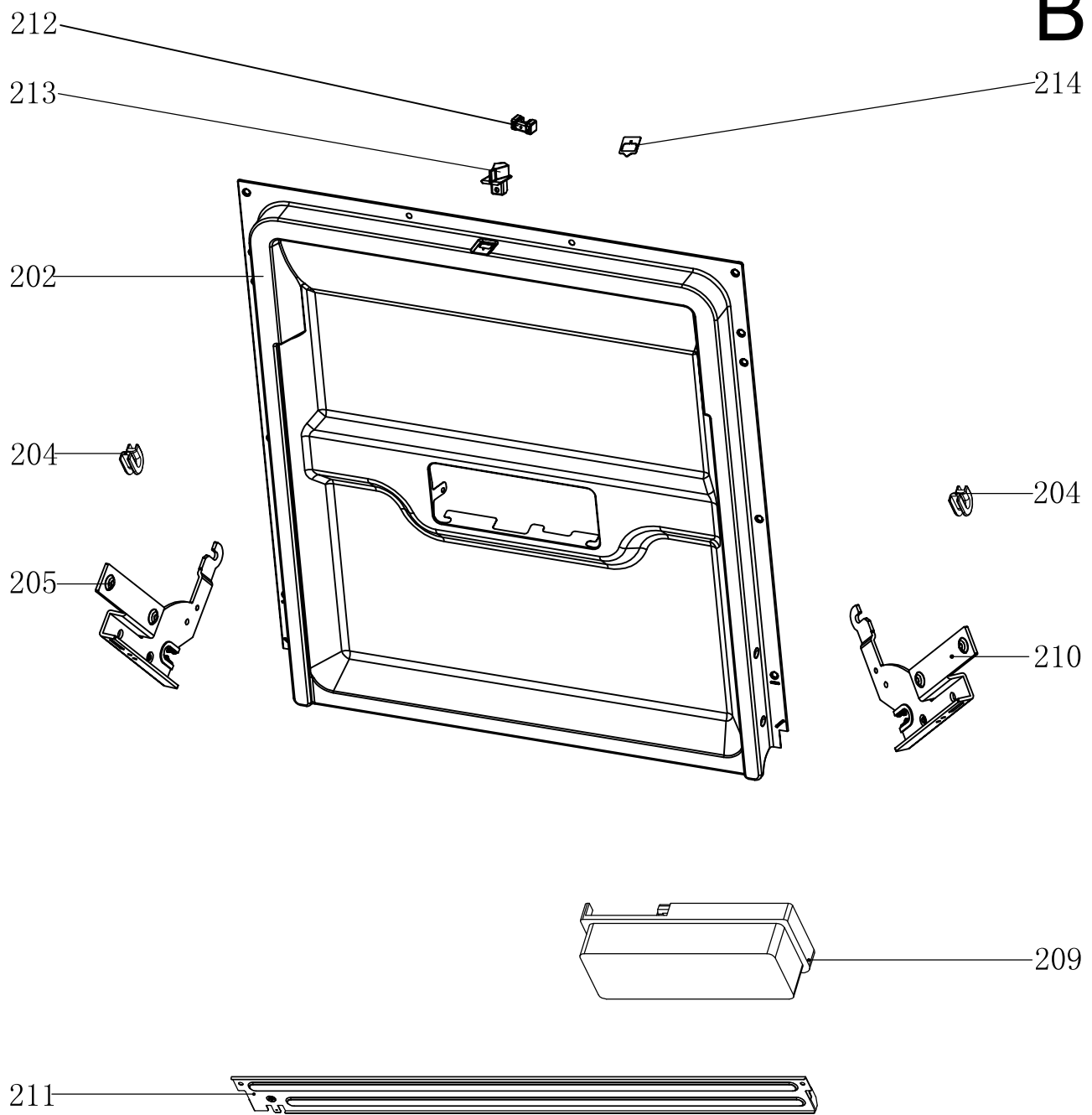


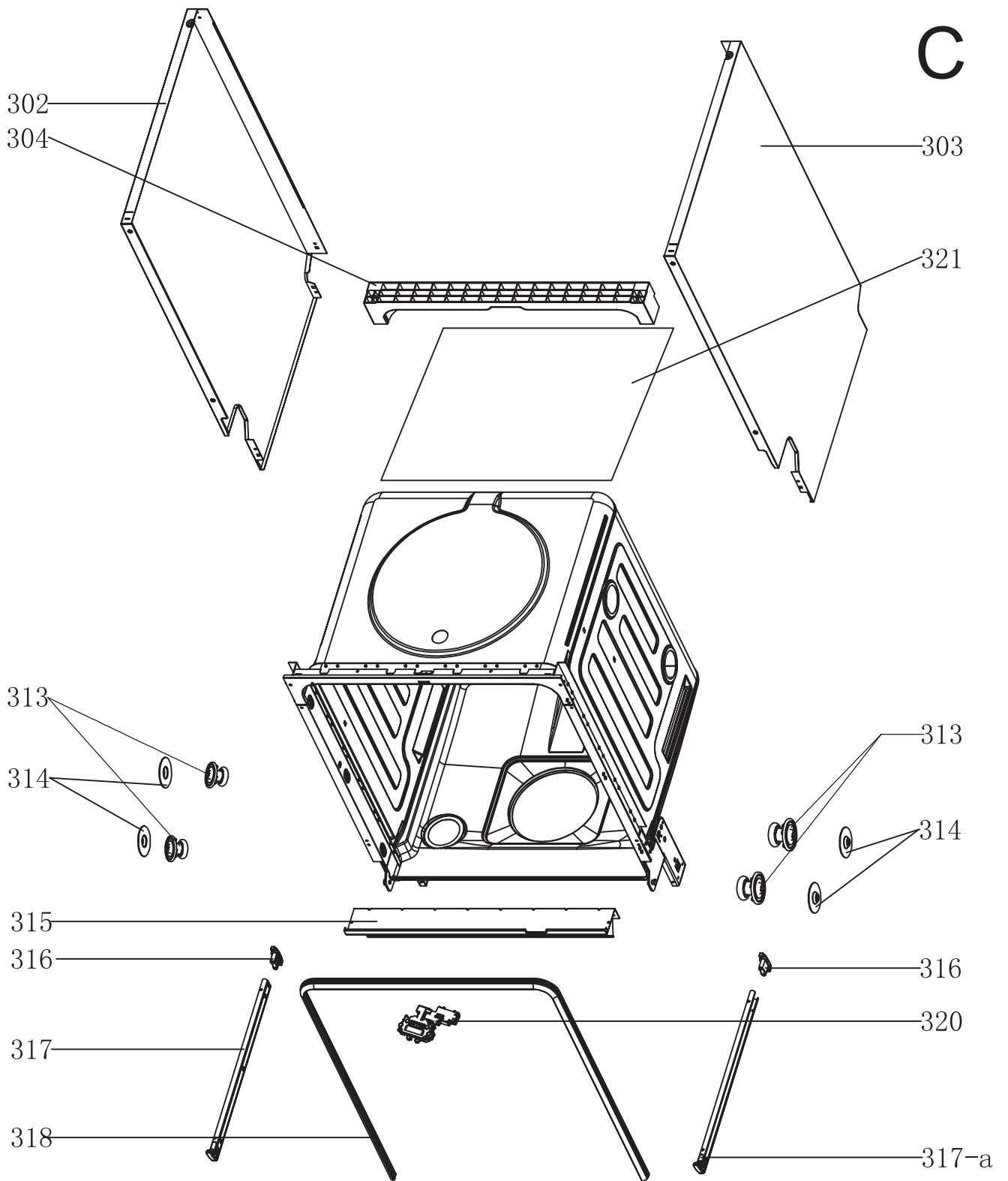
A



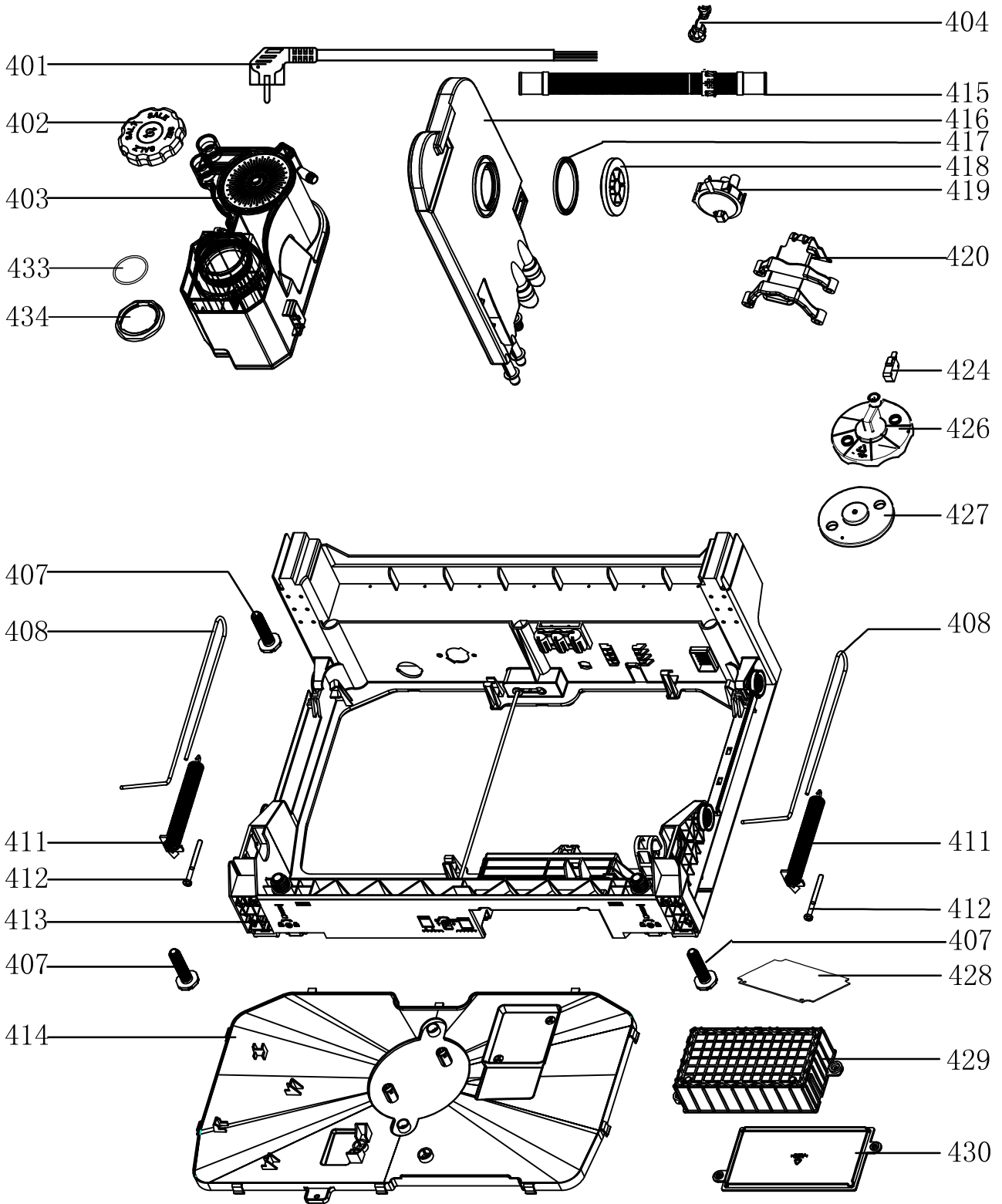
B



C

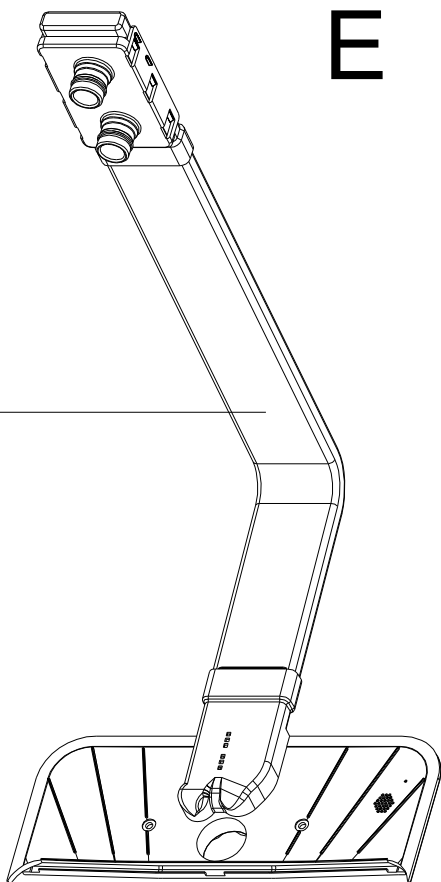


D



E

501



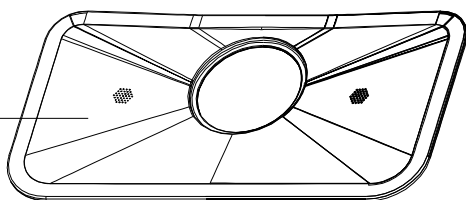
510



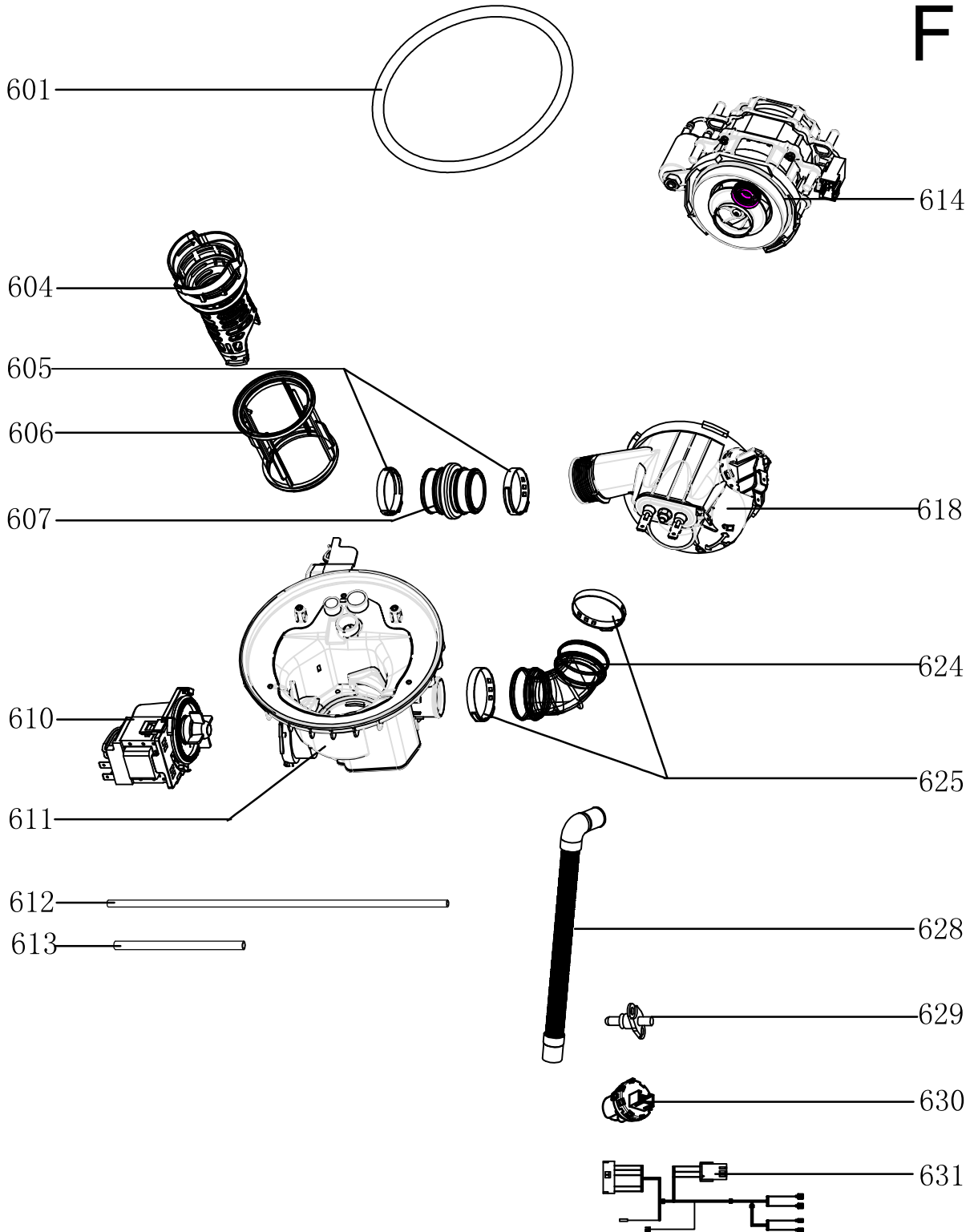
511



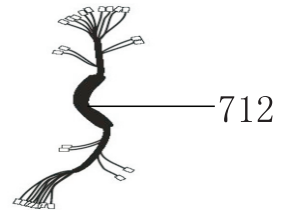
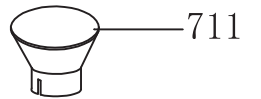
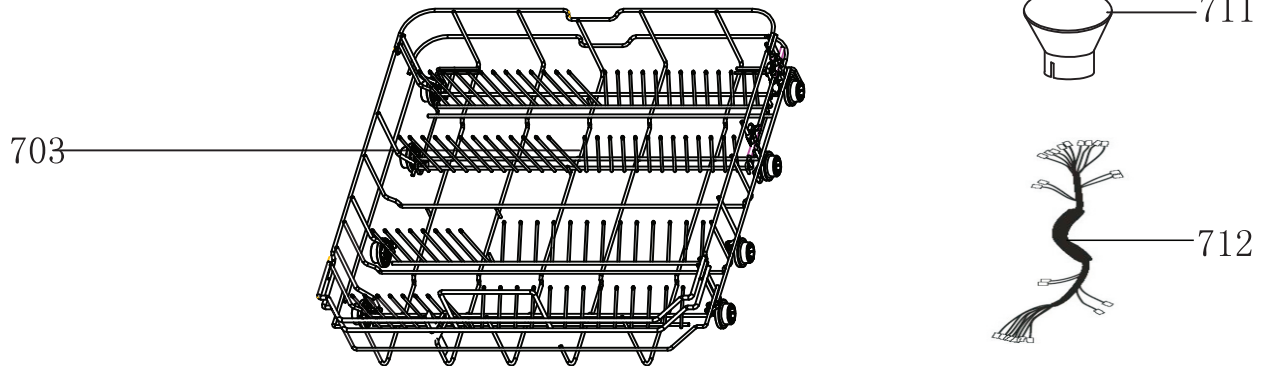
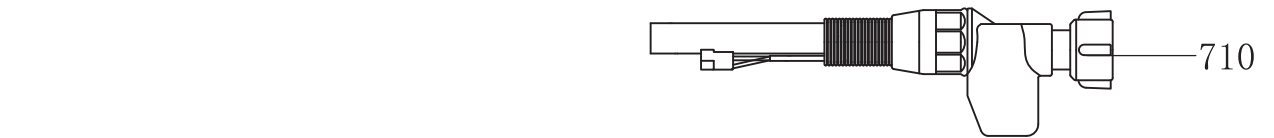
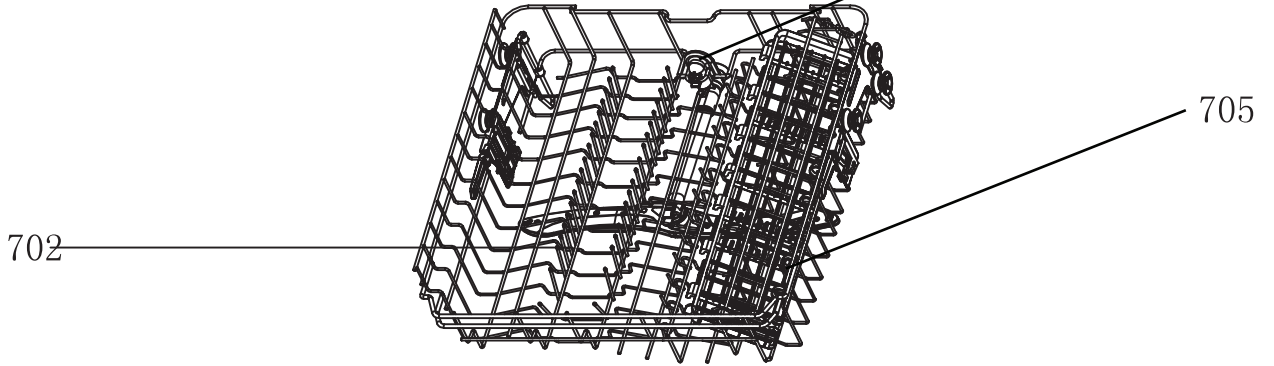
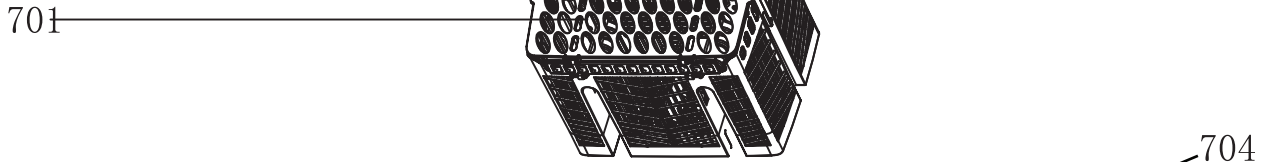
513



F



G



- | | | | | | | |
|---|--|-----------|-----|---|--|----|
| ① | | ST4 X14 | X14 | ⑥ | | X1 |
| ② | | ST3.5 X45 | X4 | ⑦ | | X2 |
| ③ | | ST3.5 X25 | X2 | ⑧ | | X2 |
| ④ | | | X2 | ⑨ | | X2 |
| ⑤ | | ST3.5 X16 | X2 | | | |
- 720