

# Koel-/vriescombi, nis 178 cm

Type: PCS22178L



## Specificaties

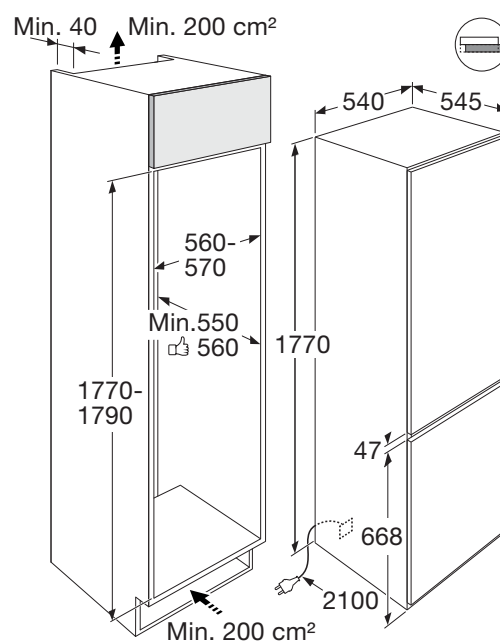
- Inhoud koelruimte 181 liter
- Inhoud vriesruimte 70 liter
- Sleepdeurmontage
- Geluidsniveau 38 dB(A)
- Energieklasse F
- Energieverbruik per jaar 271 kWh
- Aansluitwaarde: 134 W

## Schoonmaakgemak

- Automatisch ontdooien van koelgedeelte
- LowFrost: minder en gemakkelijker ontdooien

## Gebruikersgemak

- Mechanische bediening
- Draairichting deur omkeerbaar
- Heldere en energiezuinige LED verlichting
- 4 deurbakken (met RVS look afwerking)
- 4 plateaus van veiligheidsglas; 3 in hoogte verstelbaar
- CrispZone met handmatige luchtvochtigheidscontrole: groente en fruit extra lang houdbaar
- 2 dichte diepvrieslades
- FreezeSlide: open vrieslade voor snel en praktisch gebruik
- FastFreeze: korte periode extra hard vriezen voor langer behoud van levensmiddelen



EAN nummer: 8715393356697

# Product Information Sheet

COMMISSION DELEGATED REGULATION (EU) 2019/2016 with regard to energy labelling of refrigerating appliances

**Supplier's name or trade mark:** Pelgrim

**Supplier's address:** Pelgrim Service, Impact 83, 6921RZ Duiven, NL

**Model identifier:** PCS22178L

**Type of refrigerating appliance:**

Low-noise appliance:	No	Design type:	built-in
Wine storage appliance:	No	Other refrigerating appliance:	Yes

**General product parameters:**

Parameter	Value	Parameter	Value
Overall dimensions (millimetre)	Height	1 770	Total volume (dm <sup>3</sup> or l)
	Width	540	
	Depth	545	
EEL	125	Energy efficiency class	F
Airborne acoustical noise emissions (dB(A) re 1 pW)	38	Airborne acoustical noise emission class	C
Annual energy consumption (kWh/a)	271	Climate class:	temperate, subtropical
Minimum ambient temperature (°C), for which the refrigerating appliance is suitable	16	Maximum ambient temperature (°C), for which the refrigerating appliance is suitable	38
Winter setting	Yes		

**Compartment Parameters:**

Compartment type	Compartment parameters and values			
	Compartment Volume (dm <sup>3</sup> or l)	Recommended temperature setting for optimised food storage (°C) These settings shall not contradict the storage conditions set out in Annex IV, Table 3	Freezing capacity (kg/24h)	Defrosting type (auto-defrost=A, manual defrost=M)
Pantry	No	-	-	-

Wine storage	No	-	-	-	-
Cellar	No	-	-	-	-
Fresh food	Yes	181,0	4	-	A
Chill	No	-	-	-	-
0-star or ice-making	No	-	-	-	-
1-star	No	-	-	-	-
2-star	No	-	-	-	-
3-star	No	-	-	-	-
4-star	Yes	70,1	-18	3,3	M
2-star section	No	-	-	-	-
Variable temperature compartment	-	-	-	-	-
<b>For 4-star compartments</b>					
Fast freeze facility	Yes				
<b>Light source parameters:</b>					
Type of light source	LED				
Energy efficiency class	E				
<b>Minimum duration of the guarantee offered by the manufacturer:</b> 24 months					
<b>Additional information:</b>					
Weblink to the manufacturer's website, where the information in point4(a) Annex of Commission Regulation (EU) 2019/2019 is found: <a href="https://www.pelgrim.nl/">https://www.pelgrim.nl/</a>					