



Koel-/vriescombi, nis 178 cm

PCS2178



Specificaties

- Inhoud koelruimte 181 liter
- Inhoud vriesruimte 68 liter
- Sleepdeurmontage
- Geluidsniveau 38 dB(A)
- Energieklasse F
- Energieverbruik per jaar 269 kWh
- Aansluitwaarde: 195 W

Gebruiksgemak

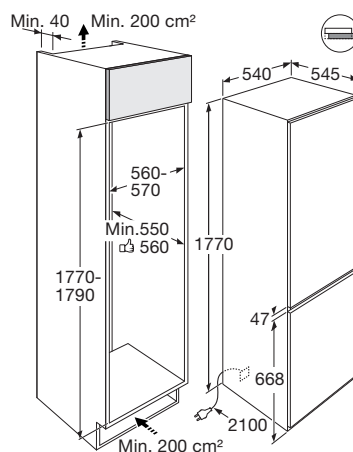
- Mechanische bediening
- Draairichting deur omkeerbaar
- Heldere en energiezuinige LED verlichting
- 4 deurbakken (met RVS look afwerking)
- 4 plateaus van veiligheidsglas: 3 in hoogte verstelbaar
- CrispZone met handmatige luchtvochtigheidscontrole: groente en fruit extra lang houdbaar
- 2 dichte diepvrieslades
- FreezeSlide: open vrieslade voor snel en praktisch gebruik
- FastFreeze: korte periode extra hard vriezen voor langer behoud van levensmiddelen

Schoonmaakgemak

- Automatisch ontdooien van koelgedeelte

EAN nummer

- 8715393318671



Product Information Sheet

COMMISSION DELEGATED REGULATION (EU) 2019/2016

Supplier's name or trademark: Pelgrim

Supplier's address: Impact 83, 6921 RZ Duiven, NL

Model identifier: PCS2178

Type of refrigerating appliance:

Low-noise appliance:	No	Design type:	built-in
Wine storage appliance:	No	Other refrigerating appliance:	Yes

General product parameters:

Parameter		Value	Parameter	Value
Overall dimensions (millimetre)	Height	1770	Total volume (dm ³ or l)	248
	Width	540		
	Depth	545		
EEl	125	Energy efficiency class	F	
Airborne acoustical noise emissions (dB(A) re 1 pW)	38	Airborne acoustical noise emission class	C	
Annual energy consumption (kWh/a)	269	Climate class:	temperate, subtropical	
Minimum ambient temperature (°C), for which the refrigerating appliance is suitable	16	Maximum ambient temperature (°C), for which the refrigerating appliance is suitable	38	
Winter setting	Yes			

Compartment Parameters:

Compartment type	Compartment parameters and values				
	Compartment volume (dm ³ or l)	Recommended temperature setting for optimised food storage (°C) These settings shall not contradict the storage conditions set out in Annex IV, Table 3	Freezing capacity (kg/24h)	Defrosting type (auto-defrost=A, manual defrost=M)	
Pantry	No	-	-	-	-
Wine storage	No	-	-	-	-
Cellar	No	-	-	-	-
Fresh food	Yes	180.6	4	-	A
Chill	No	-	-	-	-
0-star or ice-making	No	-	-	-	-

1-star	No	-	-	-	-
2-star	No	-	-	-	-
3-star	No	-	-	-	-
4-star	Yes	68.2	-18	4.5	M
2-star section	No	-	-	-	-
Variable temperature compartment	-	-	-	-	-
For 4-star compartments					
Fast freeze facility			Yes		
Light source parameters:					
Type of light source			Lighting technology used: LED; Non-directional or directional: NDLS; Mains or non-mains: MLS; Connected light source (CLS): No; Colour-tuneable light source: No; Envelope: -; High luminance light source: No; Anti-glare shield: No; Dimmable: No		
Energy efficiency class			E		
Minimum duration of the guarantee offered by the manufacturer: 24 months					
Additional information:					
Weblink to the manufacturer's website, where the information in point4(a) Annex of Commission Regulation (EU) 2019/2019 is found: http://www.pelgrim.nl					