

Instructions for use  
**Oven**

**ATAG**

OX16611B

OX26611B

**Pictograms used**



Important information



Tip

# CONTENTS

---

## *Your oven*

---

Introduction	4
Control panel	5
Description	6
Guide rails/Telescopic guide rails	6
Accessories	6
Door	7
Cooling fan	7

## *Use*

---

Initial use	8
Oven settings	9
Oven functions	11
Timer	15
Selecting additional functions	17

## *Cleaning*

---

Cleaning the oven	20
Removing and cleaning the guide rails	20
Removal and installation of the oven door	21
Removing the oven window	22
Aqua clean function	22
Replacing the oven lamp	23

## *Solving problems*

---

General	24
---------	----

## *Your oven and the environment*

---

Disposal of the appliance and packaging	26
---	----

## *Introduction*

---

Congratulations on the purchase of this oven. This product is designed to offer optimum user-friendliness. The oven has a wide range of settings enabling you to select the correct cooking method every time.

This manual shows how you can best use this oven. In addition to information about operating the oven, you will also find background information that may be useful when using the appliance.



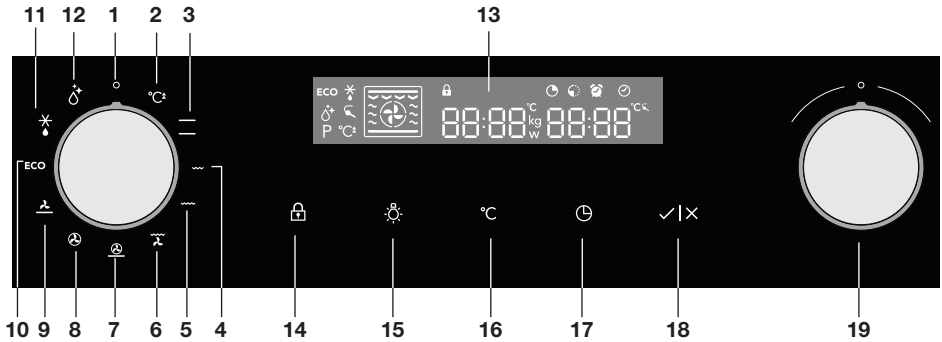
**Please read the separate safety instructions carefully before using the appliance!**

**Read this manual before using the appliance and keep it in a safe place for future use.**

Installation instructions are supplied separately.

# YOUR OVEN

## Control panel



1. Off
2. Quick preheat
3. Top heat + bottom heat
4. Small grill
5. Large grill
6. Grill with fan
7. Hot air + bottom heat
8. Hot air
9. Bottom heat with fan
10. ECO cooking
11. Defrosting
12. Aqua Clean
13. Display (cooking information and timer)
14. Child lock
15. Oven lamp
16. Temperature
17. Timer
18. Start/Stop
19. Selection dial

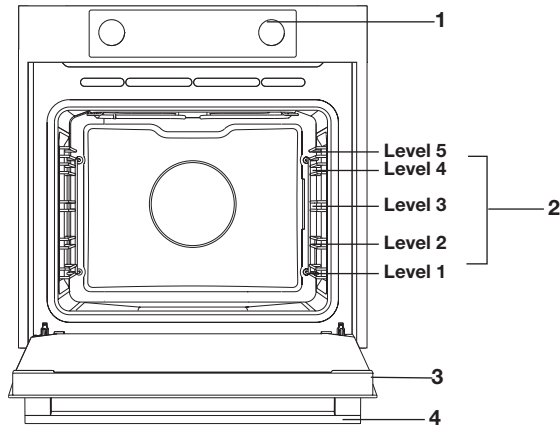


**Note:**

For the best touch response, touch the keys with the main part of your fingertip. Every time you press a key during use, a short signal will sound.

# YOUR OVEN

## Description



1. Control panel
2. Rack levels
3. Oven door
4. Handle

## Guide rails/Telescopic guide rails

- The oven has four or five guide rails (Level 1 to 4/5), depending on the model. Level 1 is mainly used in combination with bottom heat. The two upper levels are mainly used for the grill function.
- Place the oven rack, baking tray or steam dish in the gap between the guide rail sliders.
- A number of shelf levels can have fully-retractable telescopic guide rails, depending on the model.
  - Pull the telescopic guide rails out of the oven cavity completely and place the oven rack / baking tray / steam dish on them. Then slide the oven rack / baking tray / steam dish on the telescopic guide rails, back into the oven cavity.
  - Only close the oven door when the telescopic guide rails have been returned completely back into the oven cavity.

## Accessories

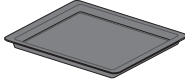

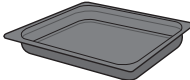
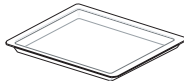
Your appliance is accompanied by a range of accessories, depending on the model. Only use original accessories; they are specially suited to your appliance. Be sure that all the accessories that are being used

# YOUR OVEN

are able to withstand the temperature settings of the chosen oven function.

**Note:** not all accessories are suitable/available for every appliance (it may also differ by country). When purchasing, always provide the exact identification number of your appliance. Please see the sales brochures or check online for more details about optional accessories.

**Note:** never place an accessory on the bottom of the oven!

<b>Accessories that can be supplied with your appliance (depending on the model)</b>	
	<b>Enamelled baking tray;</b> to be used for pastries and cakes. <ul style="list-style-type: none"><li>• Do not use the enamelled baking tray for microwave functions!</li><li>• Suitable for pyrolysis cleaning.</li></ul>
	<b>Oven rack;</b> mainly used for grilling. A steam dish or pan with food can also be placed on the oven rack. <ul style="list-style-type: none"><li>• The oven rack is equipped with a safety peg. Lift the rack slightly at the front to slide it out of the oven.</li><li>• Do not use the oven rack for microwave functions!</li></ul>
	<b>Deep enamelled baking tray;</b> to be used for roasting meat and baking moist pastry. <ul style="list-style-type: none"><li>• Do not place the deep baking tray on the lowest level during a cooking process, except when using it as a drip tray during grilling, roasting or roasting with a spit roast (when available).</li><li>• Do not use the deep enamelled baking tray for microwave functions!</li><li>• Suitable for pyrolysis cleaning.</li></ul>
	<b>Glass baking tray;</b> for microwave and oven use. <ul style="list-style-type: none"><li>• NOT suitable for pyrolysis cleaning.</li></ul>

## *Door*

---

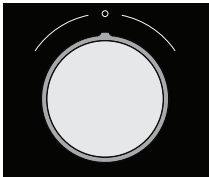
- The door switches interrupt the operation of the oven when the door is opened during use. The oven continues operating when the door is closed.

## *Cooling fan*

---

- The appliance is equipped with a cooling fan that cools the casing and control panel.

## Initial use



Selection dial



Start/stop key



Timer key

### Set the current time

When you connect the appliance to the mains electricity for the first time, the display lights up. After three seconds the clock symbol and '12:00' will flash on the display.

1. Turn the 'selection dial' to set the current time.

*You can set the values in the display faster by turning the selection dial further to the left or right.*

2. Confirm the settings by pressing 'start/stop'.

*If you do not press anything, the settings will be saved automatically after three seconds.*

**You can always set the current time by pressing the 'timer key' twice. Then turn the 'selection dial' to set the current time. Confirm the settings by pressing 'start/stop'.**

**If nothing is pressed, the settings are stored automatically after three seconds.**

### Using your oven

The oven has 10 oven functions and 1 cleaning function. Consult the table to select the correct oven function for the dish.

1. Place the dish in the oven.

*For most dishes you should first preheat the oven.*

2. Turn the 'oven function dial' to the desired setting.

*The selected pictogram will appear on the display.*

3. Press the 'temperature key'.

4. Set the oven to the desired temperature using the 'selection dial'.

5. If desired, set a cooking time by pressing the 'timer key' and use the 'selection dial' to set the desired time.

6. Press the 'start/stop' key.

*The set oven function will be started and the oven will be heated to the selected temperature. The temperature symbol in the display will flash. When the oven has reached the selected temperature, the temperature symbol in the display will stay lit.*



Oven function dial



Temperature key







## Notes







- The temperature can be changed during cooking.
- Cooking times are rough estimates and can vary depending on a number of conditions.
- For certain dishes, the oven should be preheated.
- If you use baking paper, this should be able to withstand high temperatures.
- A lot of steam is released when cooking larger pieces of meat or dishes using dough, such as pies. This can cause condensation on the oven door. This is a normal occurrence and does not influence the functioning of the appliance. When the cooking process has ended, dry the door and the glass.
- Prevent condensation from forming and do not allow hot food to cool in a closed oven.
- Any glass dishes you use must be able to withstand temperatures of 275 °C.

## Oven settings

Use the table to select the right oven function. Also consult the cooking instructions on the food packaging.

Function	Description	Recommended temp. °C
	<b>Quick preheat</b> Use this function to heat the oven quickly to the desired temperature. <b>This function is not suitable for cooking food!</b> The preheat process is complete once the oven has been preheated to the desired temperature.	<b>160</b>
	<b>Top heat + bottom heat</b> Heat is generated by the heating elements at the top and bottom of the appliance. This setting is suitable for baking and roasting.	<b>200</b>
	<b>Small grill</b> Food is heated by the top grill heating element.	<b>240</b>
	<b>Large grill</b> Food is heated by the top grill heating element. The top heating element is activated simultaneously to increase the effect of the elements.	<b>240</b>

## USE

	<p><b>Grill + fan</b> The fan distributes the heat generated from the top heating element. You can use this function for grilling meat and fish.</p>	<p><b>170</b></p>
	<p><b>Hot air + bottom heat</b> The combination of hot air and bottom heat provides a crispy and browned result.</p>	<p><b>200</b></p>
	<p><b>Hot air</b> Food is heated by hot air supplied from the back of the oven. This setting uses even heating and is ideal for baking.</p>	<p><b>180</b></p>
	<p><b>Bottom heat + fan</b> The bottom element heats the dish and the heat is distributed by the fan.</p>	<p><b>180</b></p>
<p><b>ECO</b></p>	<p><b>ECO cooking</b> In this mode, power consumption during the cooking process is optimized. This mode is used for roasting meat and baking pastry.</p> <p>By making use of the residual heat this setting gives a low energy consumption (energy class in accordance with EN 60350-1). On this setting the oven does not display the actual temperature in the oven.</p>	<p><b>180</b></p>
	<p><b>Defrosting</b> The air circulates with no heaters activated. Only the fan will be activated. This is used to slowly thaw frozen food.</p>	
	<p><b>Aqua Clean</b> The hot steam dampens the interior of the oven, so you can clean the oven easily. The Aqua Clean programme takes just 30 minutes.</p>	<p><b>70</b></p>

Each oven function has a number of basic or standard settings that you can adjust.



You adjust the settings by pressing the relevant key (before pressing the 'start/stop' key). Certain settings are not available for all programmes; if this is the case you will be alerted by a sound signal.

## Adjusting the cooking temperature

- Turn the 'oven function dial' to the desired oven function.  
*The selected pictogram will appear on the display and the prior set temperature will flash.*
- Press the 'temperature key'. Set the oven to the desired temperature using the 'selection dial'.

## Oven functions

### Quick preheat

Use this function to heat the oven quickly to the desired temperature.



Quick preheat

### This function is not suitable for cooking food!

- Turn the 'oven function dial' to the 'quick preheat' position.  
*The prior set temperature will be displayed. You can alter this temperature.*

### Note:

Preheat will begin after you have started the oven using the 'start/stop' key.

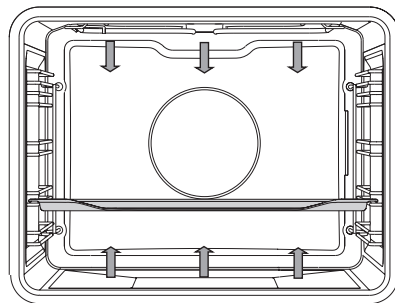
Preheat is complete when the set temperature is reached and a signal sounds.



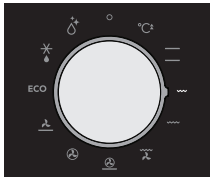
Top and bottom heat

### Top heat + bottom heat

Heat is generated by the heating elements at the top and bottom of the appliance. This setting is suitable for traditional baking and roasting.



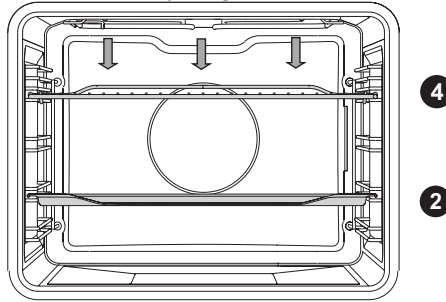
- Place the baking tray or oven rack in the middle of the oven.
- Preheating is recommended



*Small grill*

### Small Grill

Food is heated by the grill element.



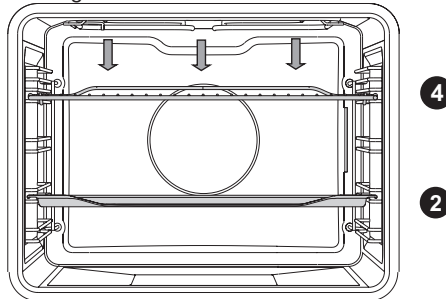
- Place the oven rack in the upper part of the oven and the baking tray in the middle of the oven.
- Keep an eye on the cooking process. At high temperatures, meat can burn quickly
- Preheat the oven for 5 minutes



*Large grill*

### Large grill

The heat comes from the top element and the grill element. This setting is particularly useful for dishes and baked food that require a real bottom crust or browning. Use this just before the end of the baking or roasting time.



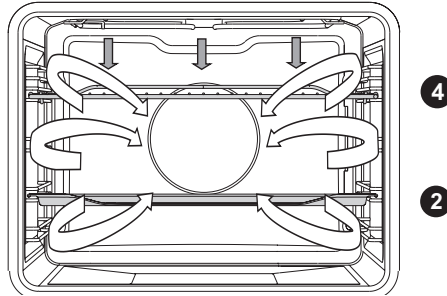
- Place the oven rack in the upper part of the oven and the baking tray in the middle of the oven.



*Grill and fan*

### Grill + fan

The fan distributes the heat generated from the top heating element. You can use this function for grilling meat, fish, poultry and vegetables. It gives food a crispy texture without it needing to be turned over.



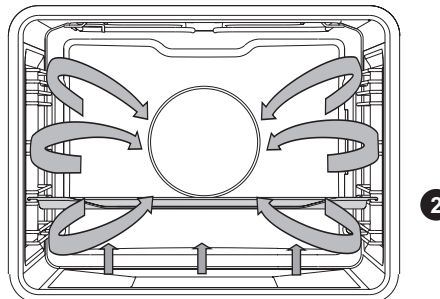
- Place the oven rack in the upper part of the oven and the baking tray in the middle of the oven.
- Keep an eye on the cooking process. At high temperatures, meat can burn quickly
- Preheat the oven for 5 minutes



*Hot air and bottom heat*

### Hot air + bottom heat

Food is heated using a combination of hot air and bottom heat. This setting is used for a crispy and browned result.



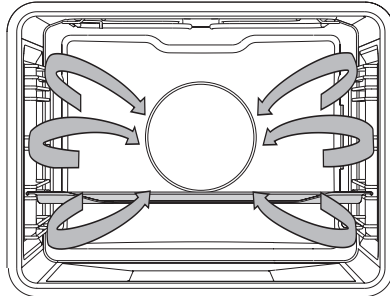
- Place the baking tray or oven rack in the middle of the oven.
- Preheating is recommended.



*Hot air*

### Hot air

Food is heated by hot air from a fan and the heating element at the back of the oven. This setting uses even heating and is ideal for baking.



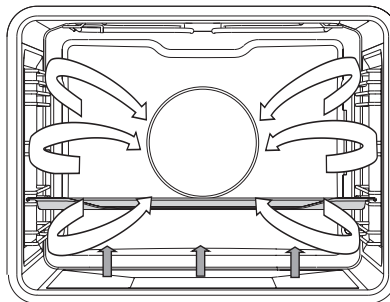
- Place the baking tray or oven rack in the middle of the oven.
- Preheating is recommended



*Bottom heat and fan*

### Bottom heat + fan

The bottom element heats the dish and the heat is distributed by the fan. This setting is used for baking yeasted pastry and preserving fruit and vegetables.



- Place a not too high baking tray in the lower part of the oven, so that hot air can also circulate over the upper surface of the food.
- Preheating is recommended

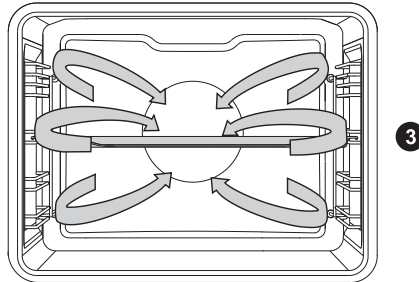
# USE



*ECO heating*

## ECO cooking

In this mode, power consumption during the cooking process is optimized. This mode is used for roasting meat and baking pastry. By making use of the residual heat this setting gives a low energy consumption (energy class in accordance with EN 60350-1). On this setting the oven does not display the actual temperature in the oven.



- Place the baking tray or oven rack in the middle of the oven.



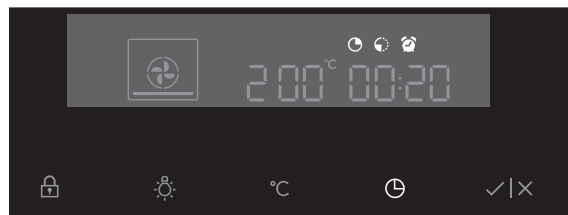
*Defrosting*

## Defrosting

In the defrost function the fan circulates the air. No heat elements are switched on. Use this function for slow defrosting of frozen dishes (cakes, biscuits, cookies, bread, bread rolls and frozen fruit).

- If desired, set a different defrost time by pressing the 'timer key' and setting the time using the 'selection dial'.
- Turn the food over after half the defrosting time has elapsed; stir the food or break up large pieces if these are frozen together.

## Timer



## Setting the timer

- Press the 'timer key' twice.
- To set the time, turn the 'selection dial' to the current time.

## Timer function

- Select an oven function using the 'oven function dial' and set the temperature.
- Press the 'timer key' several times to select a timer function.  
*The pictogram for the selected timer function lights up on the display and the adjustable start/end time will flash. The other pictograms are dimmed.*
- Press the 'start/stop key' to start the cooking process.  
*The elapsed cooking time will be displayed.*



## 'Setting the 'cooking time'

- In this setting you can set how long the oven needs to operate (cooking time).



## 'Setting the 'end time'

- In this setting you can set the time the oven should switch off.  
A cooking time first needs to be set. Ensure that the clock is set precisely to the current time.



## Example:

- Current time: 12:00
  - Cooking time: 2 hours
  - End of cooking: 18:00 hours
- First set the cooking time, for example 2 hours. The sum of the current time and the cooking time is displayed automatically (14:00 hours). Press the 'timer key' again to select the 'end time' pictogram and set the time when the cooking should be ended (18:00 hours).
  - **Press the 'start/stop key' to start the cooking process.**  
*The timer will delay the cooking process until the appropriate time. The pictogram will now light up. The oven will switch on automatically (16:00 hours) and switch off at the selected time (18:00 hours).*







### 'Timer alarm' function

- The 'timer alarm' function can be used independently of the oven.  
*The highest possible setting is 23:59 hours.*  
*The last minute of the run time is displayed in seconds.*

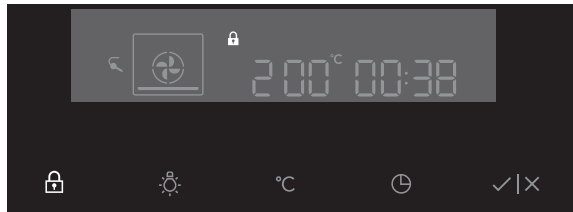
The oven will switch off automatically once the set time has elapsed (end of cooking). A signal will sound that you can switch off by pressing the 'start/stop' or 'timer' key. The sound signal will stop automatically after one minute.



You can cancel all timer functions by setting the time to '0'.

If the appliance has been inactive for a few minutes, it will switch to standby. The current time appears and the selected timer function will light up.

## Selecting additional functions

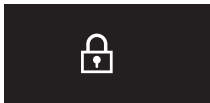


Certain settings are not available for all programmes; if this is the case you will be alerted by a sound signal.

### Child lock

With the oven's childproof lock you can lock the control panel to prevent unintended use of the oven.

- You can activate the child lock by pressing the 'child lock key' for a few seconds.  
*A pictogram in the form of a lock appears in the display.*  
*This indicates that all functions are locked.*
- To deactivate the child lock, press the key again for a few seconds.  
*The lock pictogram disappears from the display, indicating that all functions are unlocked.*



Child lock key

## Note:

Once the child lock is activated and no timer function has been set (only the clock is displayed), the oven will not work. If the child lock is activated after a timer function has been set, the oven will work; however, the settings cannot be changed.

When the child lock is activated, oven functions or additional functions cannot be changed. The cooking process can only be ended by turning the 'oven function dial' to '0'.

The child lock remains activated even after the oven has been switched off. The child lock needs to be deactivated before you can select a new programme.

## Oven lamp

- The oven lamp will light automatically if the oven door is opened or if the oven is switched on.
- After the end of the cooking process, the lamp stays lit for another minute.
- You can switch off the oven lamp by pressing the 'lamp key'.



Lamp key

## Sound signal

The volume of the sound signal can be set if no timer function has been activated (only the time is displayed).

- The 'Oven function dial' must be in the '0' position.
- Press and hold the 'temperature key'.
- Bars appear on the display that are (partly) fully lit.*
- Turn the 'selection dial' to select one of three volume levels (one, two or three bars lit) or no sound (no bar lit).
- The setting will be saved automatically after 3 seconds and the time will be displayed.



Temperature key

## Reduce display contrast

- The 'oven function dial' must be in the '0' position.
- Press and hold the 'lamp key' for 5 seconds.
- Bars appear on the display that are (partly) fully lit.*
- Turn the 'selection dial' to adjust the dimming level of the display (one, two or three bars).
- The setting will be saved automatically after three seconds.*



Lamp key



Child lock key  
+ Timer key

## Standby

If you do not wish to use the display lighting, this can be disabled.

- Press the 'child lock key + timer key' to disable the display.  
*'Off' and the 'timer' pictogram will appear on the display.*
- Press the 'child lock key + timer key' again to reactivate the display.  
*'On' and the 'timer' pictogram will appear on the display.*



**Following a power failure the additional function settings will only be saved for a few minutes. All settings, except the sound signal and child lock, will then revert to factory settings.**

# CLEANING

## Cleaning the oven

Clean the oven regularly to prevent fat and leftover food from accumulating, especially on interior and exterior surfaces, the door and seal.

- Clean exterior surfaces with a soft cloth and soapy warm water. Wipe afterwards with a clean, damp cloth and dry the surfaces.
- Remove splashes and stains on the interior surfaces with a soapy cloth. Wipe afterwards with a clean, damp cloth and dry the surfaces.
- Clean the interior of the oven



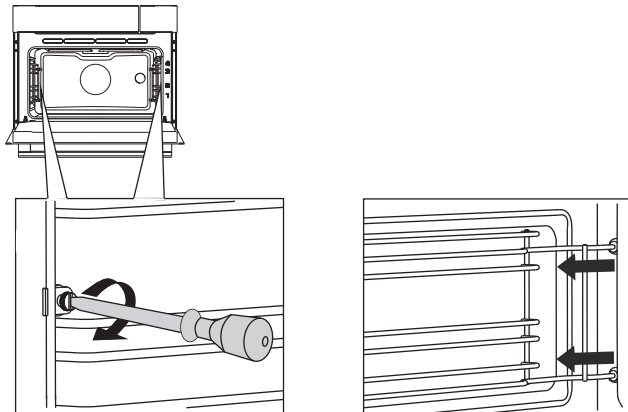
### **Important**

- Take care that NO water enters the vents.
- NEVER use abrasive cleaning materials or chemical solvents.
- ALWAYS ensure that the door seal stays clean.  
This prevents accumulation of dirt and allows you to close the door properly.

## Removing and cleaning the guide rails

Only use conventional cleaners to clean the guides.

- Remove the screws using a screwdriver.
- Remove the guides from the holes in the back wall.

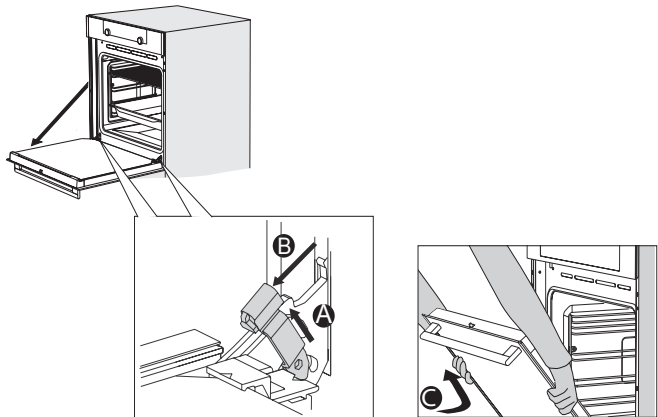


## Removal and installation of the oven door

**Keep your fingers away from the hinges of the oven door. The hinges are spring loaded and can cause injury if they spring back. Make sure that the hinge latches are applied correctly to lock the hinges.**

### **Remove the oven door**

1. Open the door to the fully open position.
2. Lift both hinge latches (A) and pull them towards the oven door (B).  
*The hinges will be locked in the 45° position.*
3. Gently close the door until it reaches a 45° angle.
4. Remove the door by lifting and tilting it towards the oven (C).  
*The hinges need to come out of the slots in the oven.*



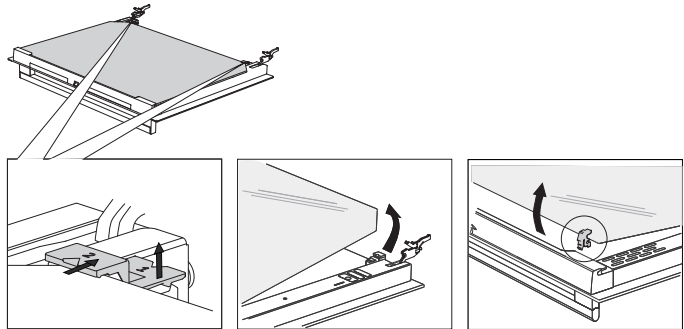
### **Install the oven door**

1. Hold the door at an angle of approximately 45° in front of the oven.
2. Insert the hinges into the slots and make sure they are both positioned correctly.
3. Open the door to the fully open position.
4. Lift both hinge latches and move them towards the oven.
5. Gently close the oven door and make sure that it closes correctly.  
*If the door does not open or close correctly, then make sure that the hinges are positioned correctly in their slots.*

## Removing the oven window

The glass in the oven door can be cleaned from the inside, but you do need to remove the glass from the door to do this. First remove the oven door (see chapter 'Removing the oven door').

1. Lift the brackets on the left and right side of the door upwards slightly (to marker 1 on the bracket) and pull this away from the glass slightly (to marker 2 on the bracket).
2. Grasp the glass at the bottom and gently lift this upwards to remove it from the support.
3. The inner third glass (depending on the model) can be removed by lifting this carefully and removing it. Also remove the rubber seals around the glass.



To replace the glass pane, observe the reverse order. The markings (semicircle) on the door and the glass pane should overlap.

## Aqua Clean function



Aqua clean function

With aqua clean and a damp cloth, you can easily remove grease and dirt from the oven walls.

### Using aqua clean

Only use aqua clean when the oven has cooled down fully. It is more difficult to remove dirt and grease if the oven is hot.

The program takes 30 minutes.

Food remains on the enamel walls will be sufficiently soaked after 30 minutes so that they can be removed with a damp cloth.



## CLEANING

1. Remove all accessories from the oven.
2. Pour 0.15 litres of water into the bottom of the oven.
3. Select 'Aqua clean' with the function knob.
4. Press on the confirm key to start aqua clean.



**Please note:** Do not open the door during the cleaning program.

### Replacing the oven lamp



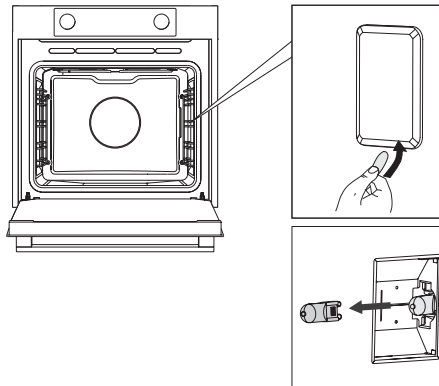
**The lamp in this household appliance is only suitable for illumination of this appliance. The lamp is not suitable for household room illumination.**

The bulb (halogen G9, 230 V, 25 W) is a consumable and therefore not covered by warranty. Before changing the bulb, remove the trays, the grid, and the guides.



- **Cut the power to the appliance by removing the plug from the socket or switching off the fuse in the fuse box!**
- **Please note: the lamp can be very hot! Use protection to remove the lamp.**

1. Use a flat screwdriver to loosen the bulb cover, and remove it.  
*NOTE: Be careful not to scratch the enamel.*
2. Pull the halogen bulb out.



## **General**

---

Try the solutions below if you have problems with your oven. You could save yourself the time and effort of an unnecessary phone call to customer services.

### **The food is not cooked**

- Check whether the timer has been set and you have pressed the 'start key'.
- Close the door properly.
- Check whether a fuse has blown and whether a circuit breaker has been activated.

### **Food is overcooked or undercooked**

- Check whether the correct cooking time has been set.
- Check whether the temperature has been set.

### **The display will be reset following power failure**

- Remove the plug from the socket and put it back in again.
- Set the time again.

### **There is condensation on the interior of the oven**

- This is normal. Wipe the oven clean after use.

### **The fan keeps working after the oven is switched off**

- This is normal. Once the oven has been switched off, the cooling fan may continue to run for a little while.

### **Air flow can be felt at the door and the exterior of the appliance**

- This is normal.

### **Light reflects on the door and the exterior of the appliance**

- This is normal.

### **Steam escapes from the door or the vents**

- This is normal.

### **Clicking sounds can be heard when the oven is working, particularly in the defrost setting**

- This is normal.



## SOLVING PROBLEMS

---

### **Storing and repairing the oven**

Repairs may only be performed by a qualified service technician. If maintenance is required, remove the plug from the socket and contact ATAG customer services.

### **Have the following information to hand when you call:**

- The model number and serial number (stated on the inside of the oven door)
- Guarantee details
- A clear description of the problem

**Choose a clean, dry place if you have to store the oven temporarily, as dust and moisture can damage the appliance.**

## Disposal of the appliance and packaging

This product is manufactured from sustainable materials. However, the appliance must be disposed of responsibly at the end of its useful life. The government can provide you with information about this.

The appliance packaging is recyclable. The following materials have been used:

- cardboard
- polyethylene wrapping (PE)
- CFC-free polystyrene (hard PS foam)

Dispose of these materials responsibly in accordance with legal provisions.



The product has a pictogram of a rubbish bin with a cross through it. This indicates that household appliances must be disposed of separately. This means that the appliance may not be processed via the regular waste flow at the end of its useful life. You should take it to a special municipal waste depot or a sales outlet that offers to do this for you.

Collecting household equipment separately prevents harm to the environment and public health. The materials used in manufacturing this appliance can be recycled, which provides considerable savings in energy and raw materials.

### **Declaration of conformity**



We hereby declare that our products comply with the relevant European directives, standards and regulations as well as all requirements referred to in the standards.





The appliance rating label is located on the inside of the appliance.

When contacting the service department, have the complete type number to hand.

You will find the addresses and phone numbers of the service organisation  
on the guarantee card.

**ATAG**



787944