

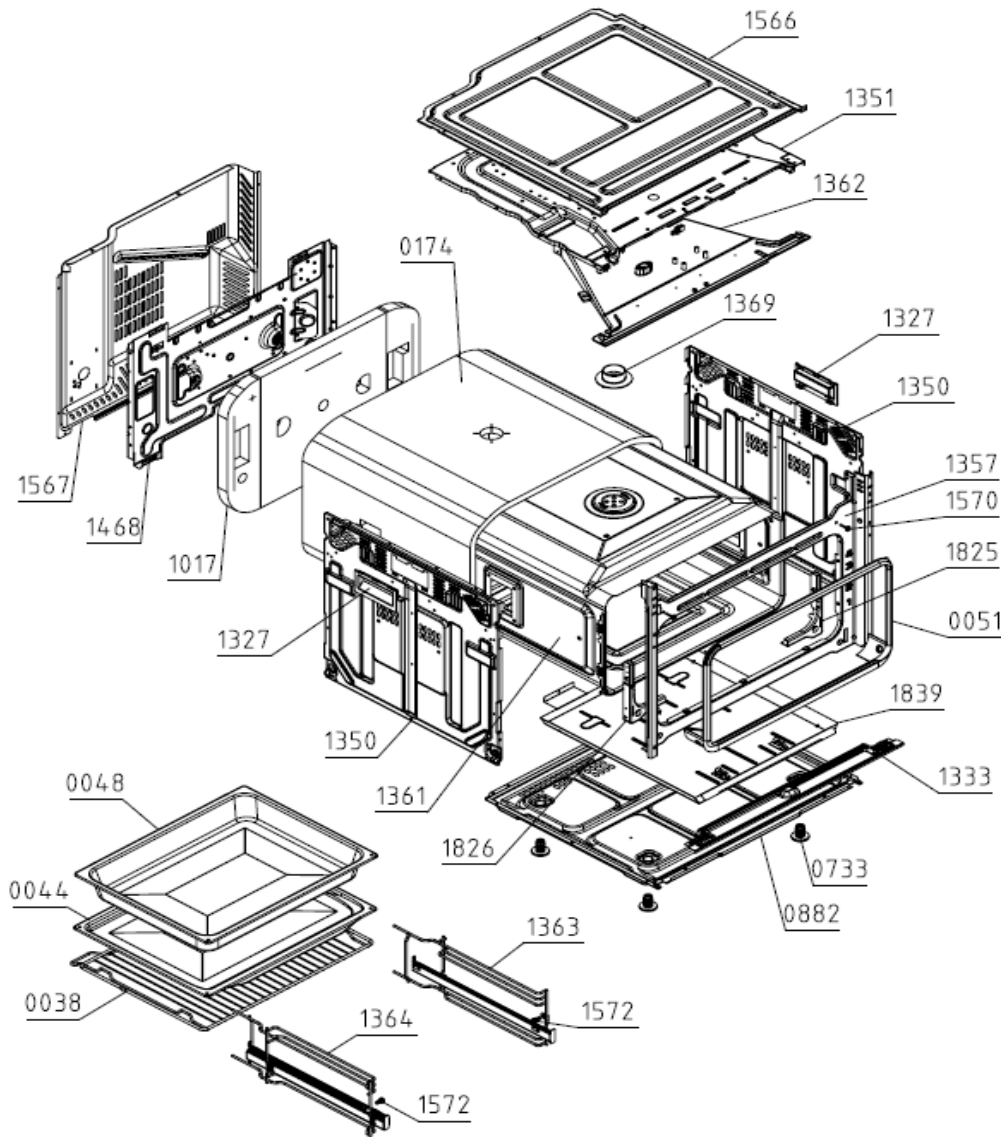
SPARE PARTS LIST

Cooking appliances

Date 03.06.2019
Time 09:13:45

Type	BO4CO4D1-42	Brand name	PELGRIM
Model	OVM824MAT	Version	2342019
Art. No.	732377	Service index	1

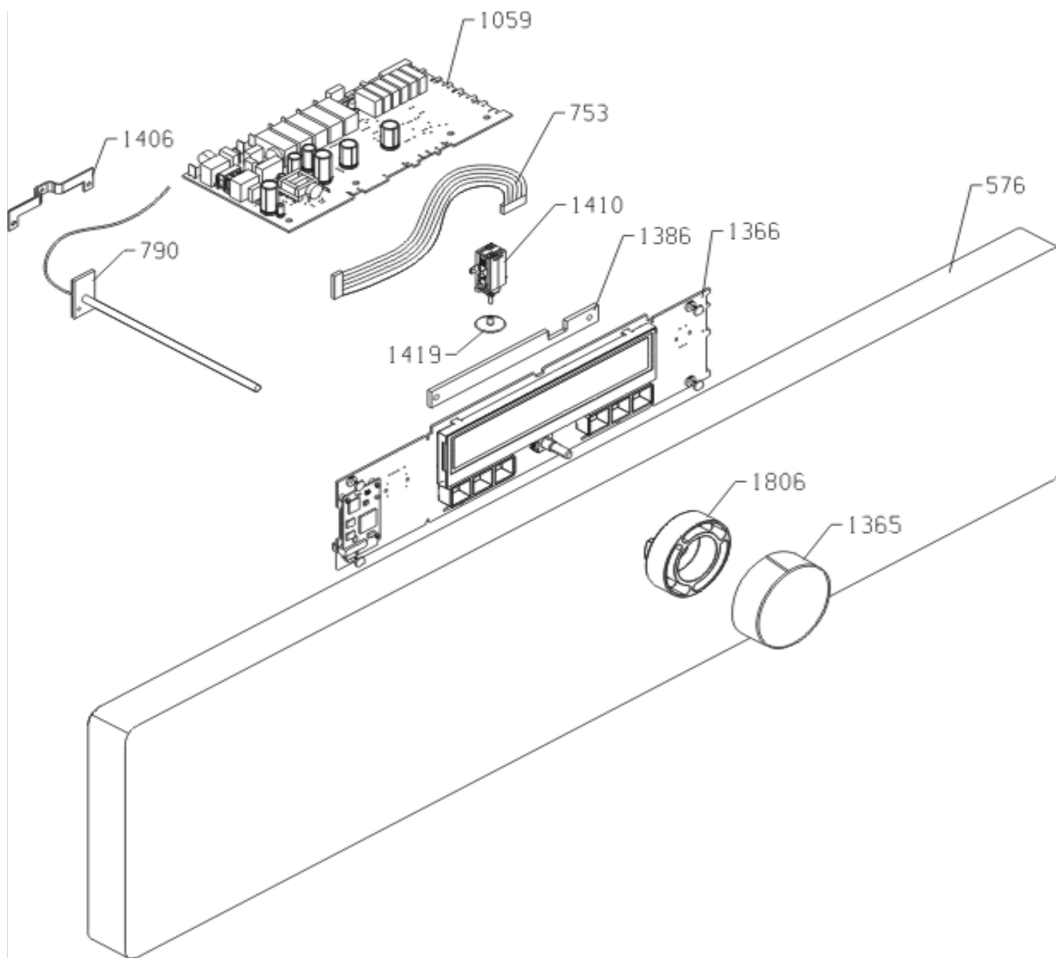
013066



Position	Ident	Spare part description	Quantity	Validity	Extra ID
0038	421367	OVEN GRID NG3 BIO CR	1		
0044	442436	BAKING TRAY BIO EM 7011	1		
0051	437537	DOOR GASKET BIO 45 MF	1		
0174	437569	OVEN CASING INSULATION BIO 45 MF PYRO	1		
0733	621307	SOCLE FOOT NG500	4		
0882	663851	BOTTOM NGVA3-BIO 45/60 -0.55	1		
1017	514185	REAR WALL ISOLATION BIO 45-PROT	1		
1327	460902	APPLIANCE HOLDER BIO 45	2		
1333	442726	CONDENSE STRIP LA9011	1		
1350	437179	SIDE PANEL BIO MW 45	2		
1351	438908	PARTITION SHEET METAL ASSY BIO MF 45 60	1		
1357	456167	FRONT WALL ASSY 45 MF EM	1		
1361	711244	OVEN 45 PYRO 2L C15 ASSY EM	1		

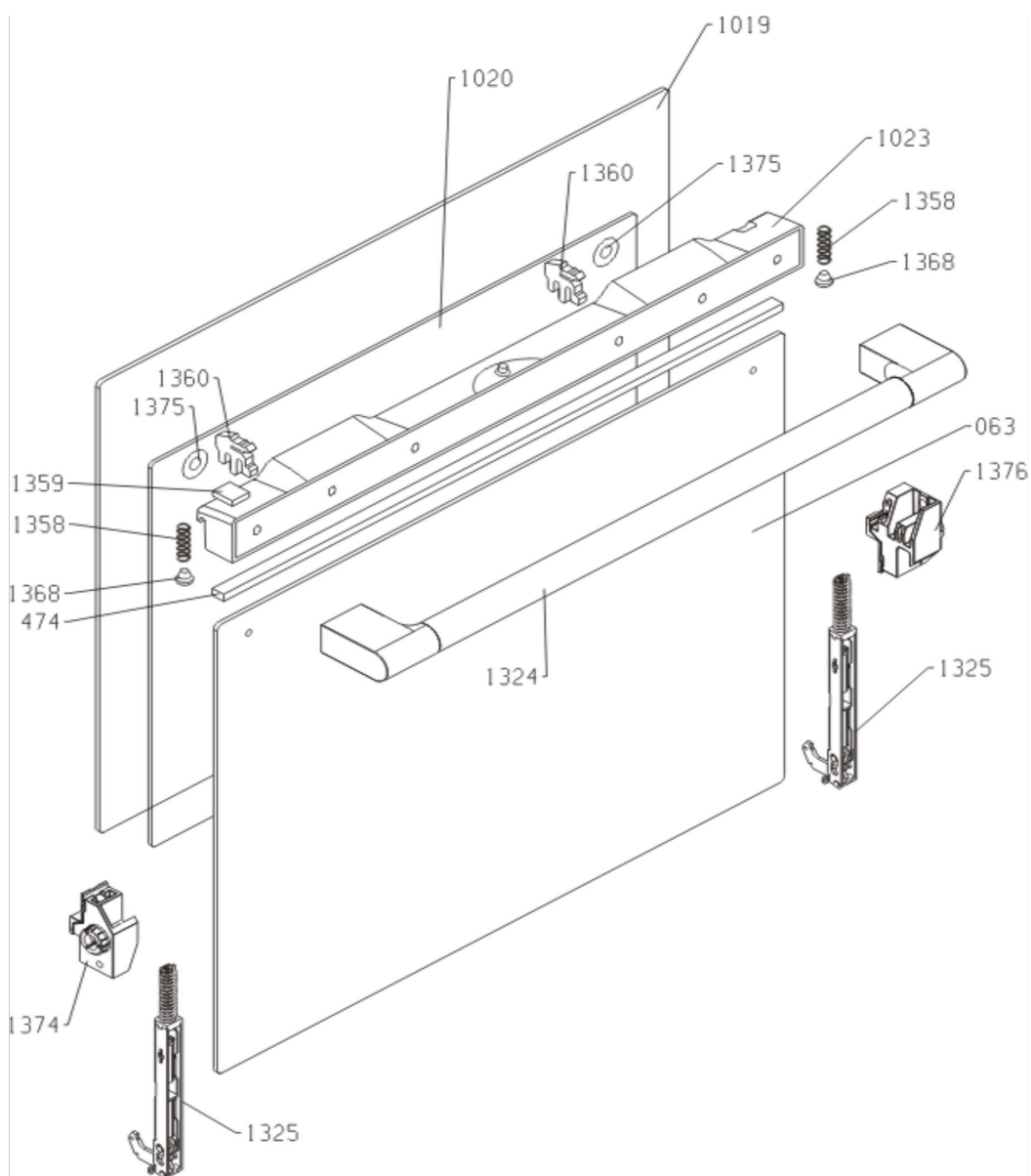
1362	437127	EXHAUST AIR DUCT BIO MF 45/60	1		
1363	445796	GUIDES 45 FULL EXT.ONE LEVEL R INOX ASSY	1		
1364	445797	GUIDES 45 FULL EXT.ONE LEVEL L INOX ASSY	1		
1369	437198	OVEN AIR VENT FLANGE BIO MF 45	1		
1468	423299	CENTRAL CROSS PROFILE 45	1		
1566	545492	CEILING BIO 45	1		
1567	545494	PROTECTIVE PANEL BIO 45	1		
1570	235270	DOOR SPACER NG3	2		
1572	435578	SCREW M5X13,5 FIXING HEATER,GUIDE INOX	4		
1825	427344	HINGE PROFILE 45-60 R PICK.	1		
1826	441005	HINGE PROFILE 45-60 L PICK.	1		
1839	711770	LOWER HEATER GUARD BIO SCREWED	1		

014209

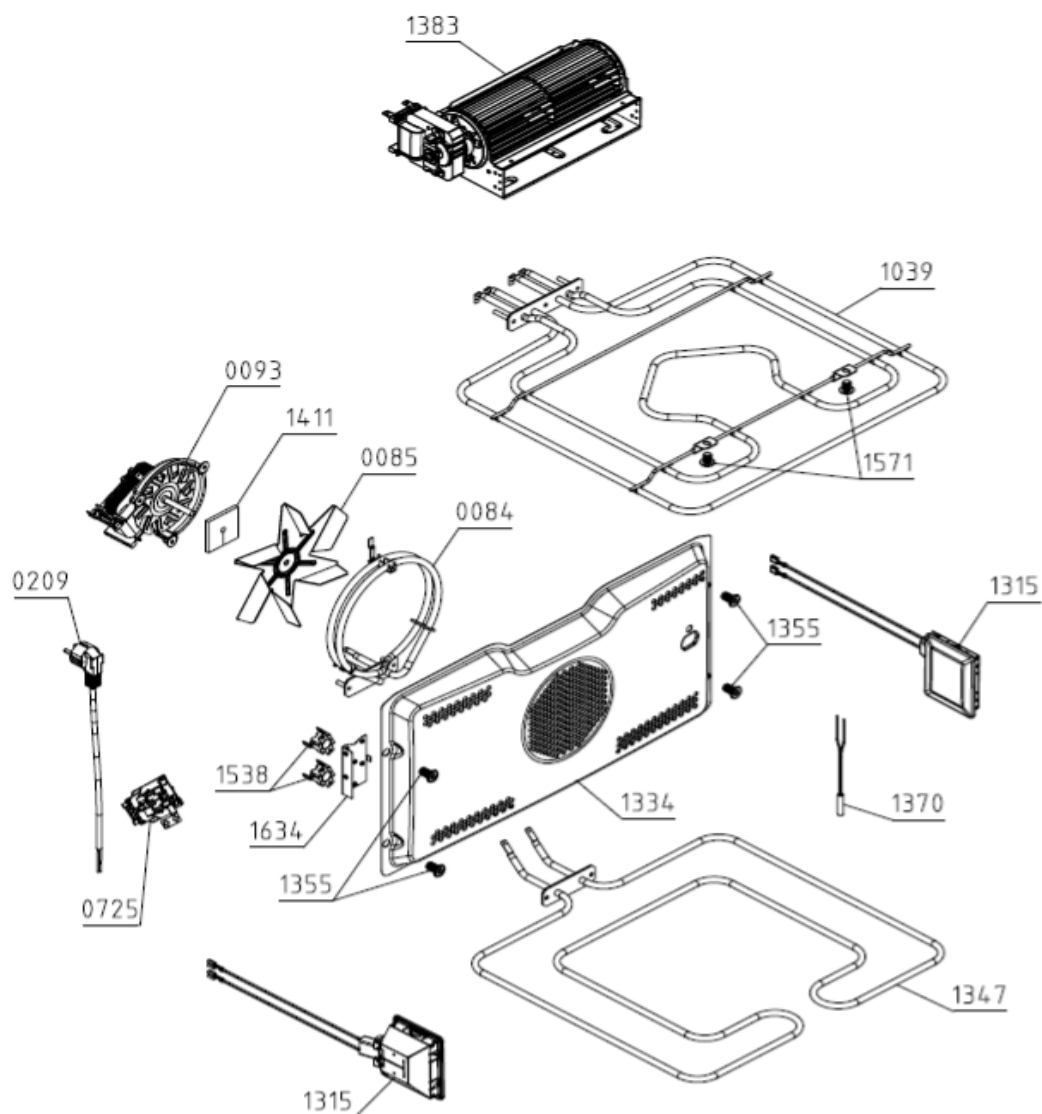


Position	Ident	Spare part description	Quantity	Validity	Extra ID
0576	686920	CTRL PAN.GL.BIO 6-266 COLOR GLU MAT	1		
0753	446326	WIRE HARNESS IPC UI-DOT M	1		
0790	707793	SENSOR PT1000 B+B 50MM+INSULATION	1		
1059	586825	RELAY MODULE FULL VER.4CO-SER PEL/GOR	1		
1365	476445	KNOB GE BIO 6_004 DOT MATRIX G+ VZ065	1		
1366	799034	USER INTERFACE COLOR DOT MATRIX+KNOBS	1		
1386	686096	DOT MATRIX ELECTONIC REINFORCEMENT	1		
1406	315510	SENSOR CLAMP P	1		
1806	684594	GUIDING ROSETTE G+	1		

015043



Position	Ident	Spare part description	Quantity	Validity	Extra ID
0063	445561	DOOR GLASS BIOMF 4_3 PEL GLUE M9005/9007	1		
0474	650276	SELF STICKY SILICON SEALING PENASTO-2,15	0.540		
1019	453356	DOOR GLASS-INNER BIO 45 PREM 1REF N.9005	1		
1020	438014	INTERMEDIATE DOOR GL.BIO 45 PREM 1REF.	1		
1023	450764	DOOR AIR DUCT PREMIUM BIO REED BZ	1		
1324	440940	HANDLE R6-002 VZ065	1		
1325	439564	DOOR HINGE BIO 45 3S SOFT CLOSE	2		
1358	421512	AIR DUCT DOOR SPRING NG3 HF	2		
1360	421160	RUBBER CARRIER DOOR GLASS	2		
1368	316066	PLUG SPRING	2		
1374	423096	INTERMEDIATE GLASS HOLDER HF L	1		
1375	425763	PATCH SPACER	2		
1376	423002	INTERMEDIATE GLASS HOLDER HF R	1		



Position	Ident	Spare part description	Quantity	Validity	Extra ID
0084	437927	HEATER BIO FAN MF,MW,PYRO 45 1600W EGO	1		
0085	561438	OVEN FAN BLADE ASKOLL 45-ALU 4MM	1		
0093	561426	OVEN FAN ASKOLL 4MM	1		
0209	538172	CONNECTING CABLE MKE H05VV-F 7X1-5	1		
0725	426498	CONNECTING CLAMP 2/3 NOVA	1		
1039	452923	HEATER BIO ZI MF 45 2200W E.G.O.	1		
1315	436965	SIDE LAMP VS-G9-KON/PYRO	2		
1334	423406	FAN COVER 45 EM7011	1		
1347	710498	HEATER BIO LOW 45 850W EGO 2	1		
1355	435576	SCREW OVEN FAN COVER M8X12 NR	4		
1370	540056	REED SWITCH ACEE,CONNECTOR ASSY	1		
1383	523150	COOLING FAN ASKOLL SINGLE 1000	1		
1411	712371	OVEN FAN MOTOR SHAFT GASKET NG3	1		
1538	533127	CUT-OUT THERMOSTAT TIANPENG CERAM.T300	2		
1571	435577	SCREW M8X12 HEATER,GUIDE INOX	4		
1634	590267	PROTECTIVE THERMOSTAT HOLDER NG3-BIO ZN	1		