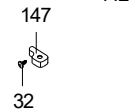
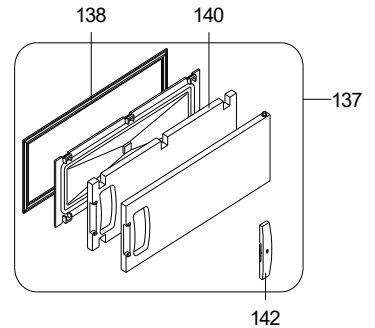
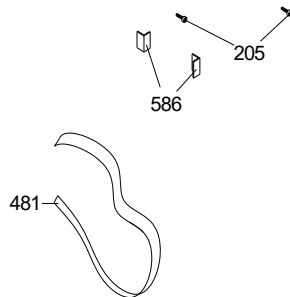
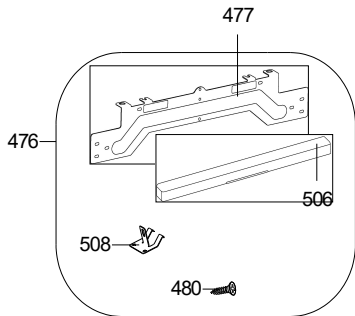
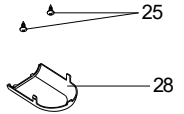
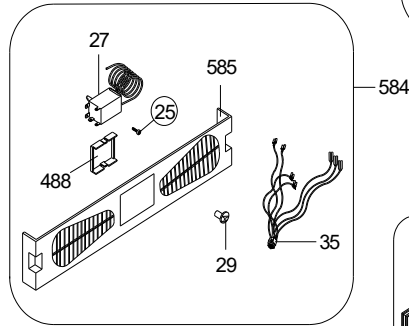
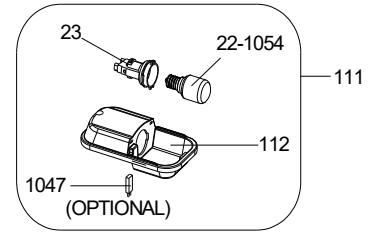
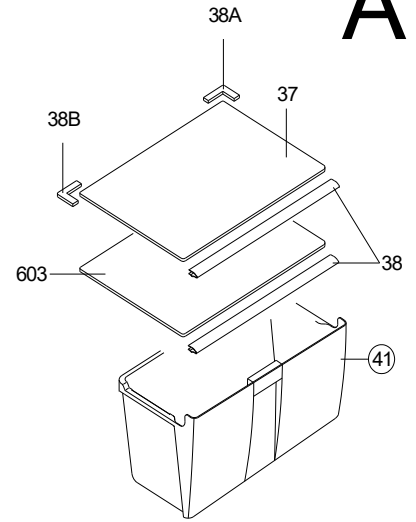
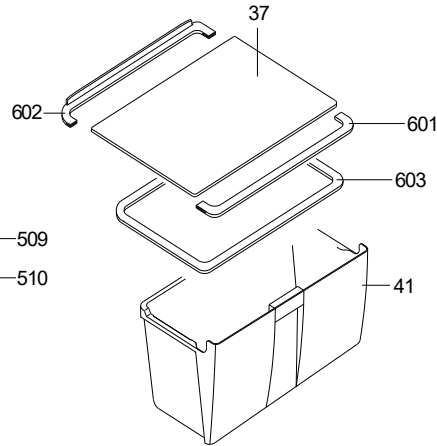
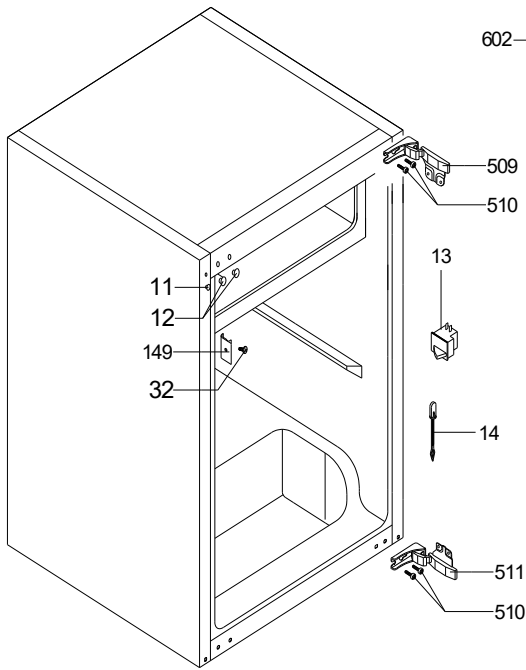


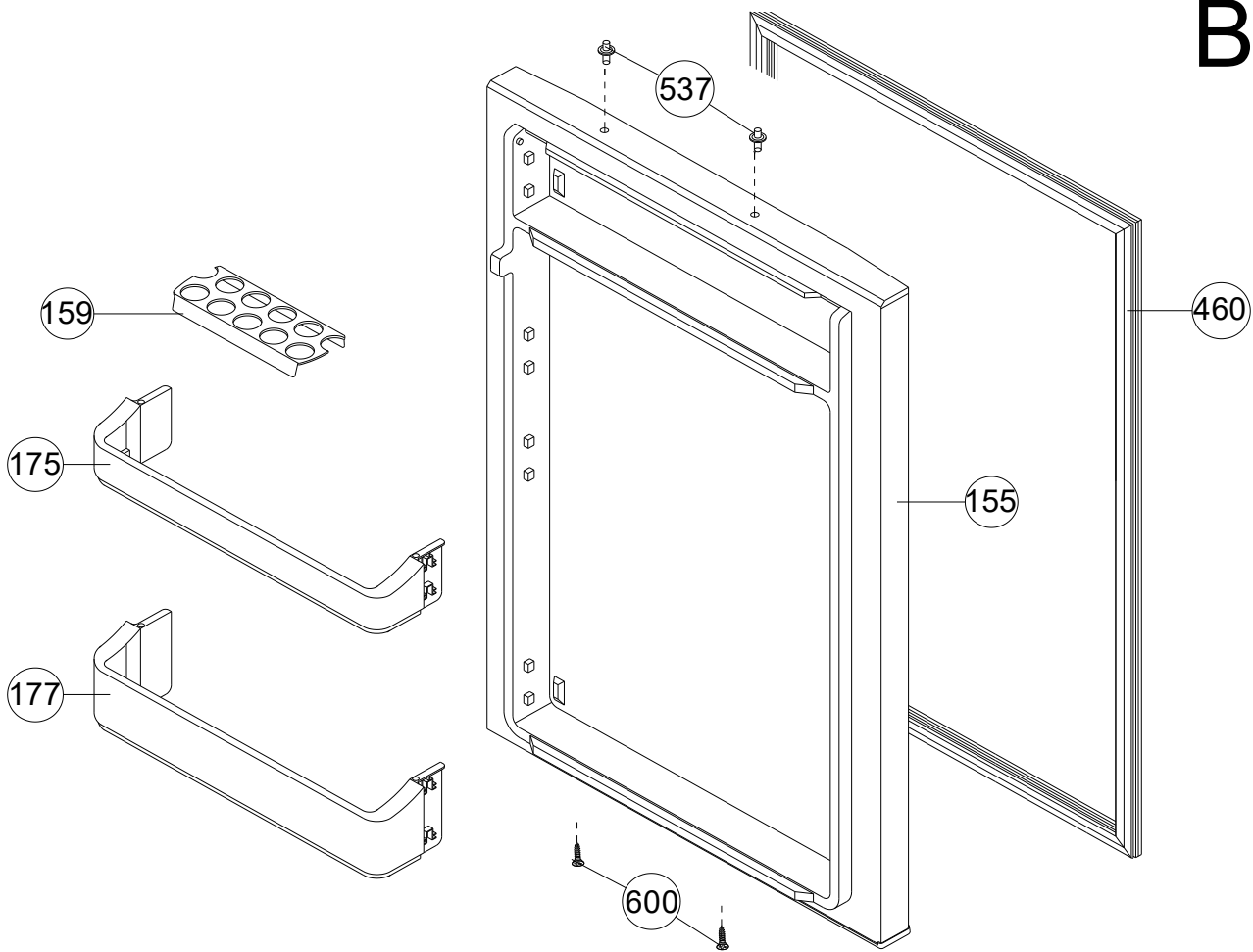
AFTER JANUARY 2017

A

BEFORE JANUARY 2017



B



C

