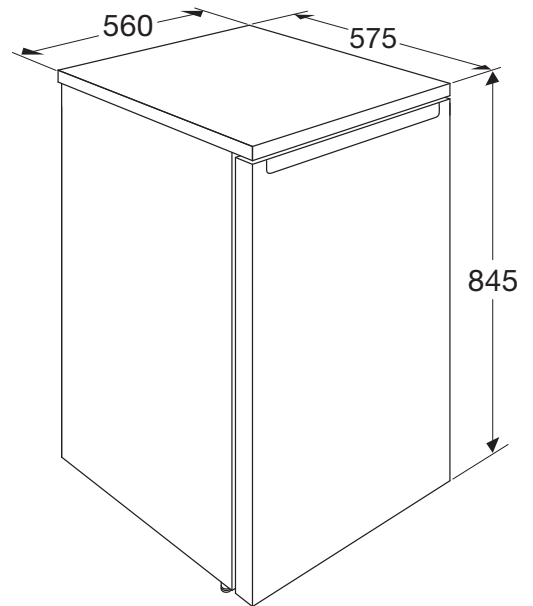


TAFELMODEL KOELKAST MET VRIESVAK (56 CM)



**Specificaties**

- totale inhoud koelgedeelte 107 liter
- totale inhoud \*\*\*vriesgedeelte 13 liter
- automatisch ontdooien van koelgedeelte
- deur met verwisselbare draairichting
- heldere LED verlichting in koelgedeelte
- 2 plateaus van veiligheidsglas, waarvan 1 in hoogte verstelbaar
- 1 transparante groentelade

**Technische specificaties**

- buitenmaten (hxbxd) 845 x 560 x 575 mm
- aansluitwaarde 70 W
- klimaatklasse ST
- invriescapaciteit 2 kg/24h
- verbruik 110 kWh/jaar
- energieklassen D
- geluidsniveau 39 dB(A)

# Product Information Sheet

COMMISSION DELEGATED REGULATION (EU) 2019/2016 with regard to energy labelling of refrigerating appliances

**Supplier's name or trade mark:** ETNA

**Supplier's address:** Etna Service, Impact 83, 6921RZ Duiven, NL

**Model identifier:** KVV856WIT

**Type of refrigerating appliance:**

Low-noise appliance:	No	Design type:	freestanding
Wine storage appliance:	No	Other refrigerating appliance:	Yes

**General product parameters:**

Parameter	Value	Parameter	Value
Overall dimensions (millimetre)	Height	845	Total volume (dm <sup>3</sup> or l)
	Width	560	
	Depth	575	
EEI	80	Energy efficiency class	D
Airborne acoustical noise emissions (dB(A) re 1 pW)	39	Airborne acoustical noise emission class	C
Annual energy consumption (kWh/a)	110	Climate class:	temperate, subtropical
Minimum ambient temperature (°C), for which the refrigerating appliance is suitable	16	Maximum ambient temperature (°C), for which the refrigerating appliance is suitable	32
Winter setting	No		

**Compartment Parameters:**

Compartment type	Compartment parameters and values			
	Compartment Volume (dm <sup>3</sup> or l)	Recommended temperature setting for optimised food storage (°C) These settings shall not contradict the storage conditions set out in Annex IV, Table 3	Freezing capacity (kg/24h)	Defrosting type (auto-defrost=A, manual defrost=M)
Pantry	No	-	-	-

Wine storage	No	-	-	-	-
Cellar	No	-	-	-	-
Fresh food	Yes	107,0	4	-	A
Chill	No	-	-	-	-
0-star or ice-making	No	-	-	-	-
1-star	No	-	-	-	-
2-star	No	-	-	-	-
3-star	No	-	-	-	-
4-star	Yes	13,0	-18	2,0	M
2-star section	No	-	-	-	-
Variable temperature compartment	-	-	-	-	-
<b>For 4-star compartments</b>					
Fast freeze facility	No				
<b>Light source parameters:</b>					
Type of light source	LED				
Energy efficiency class	-				
<b>Minimum duration of the guarantee offered by the manufacturer:</b> 24 months					
<b>Additional information:</b>					
Weblink to the manufacturer's website, where the information in point4(a) Annex of Commission Regulation (EU) 2019/2019 is found: <a href="https://etna.nl/">https://etna.nl/</a>					