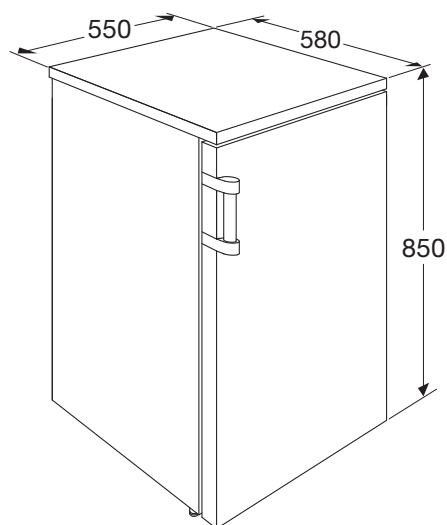


TAFELMODEL KOELKAST MET VRIESVAK (55 CM)

**Specificaties**

- totale inhoud koelgedeelte 95 liter
- totale inhoud ***vriesgedeelte 14 liter
- automatische ontdooiing van het koelgedeelte
- deur met verwisselbare draairichting
- LED verlichting
- 2 glazen legplateaus met lekrand
- 1 brede groentelade

Technische specificaties

- afmeting (hxbxd) 850 x 550 x 580 mm
- aansluitwaarde 100 W
- energieverbruik per jaar 139 kWh/jaar
- energieklassen E
- geluidsniveau 40 dB(A)

Product Information Sheet

COMMISSION DELEGATED REGULATION (EU) 2019/2016

Supplier's name or trademark: ETNA

Supplier's address: Impact 83, 6921 RZ Duiven, NL

Model identifier: KVV655WIT

Type of refrigerating appliance:

Low-noise appliance:	No	Design type:	freestanding
Wine storage appliance:	No	Other refrigerating appliance:	Yes

General product parameters:

Parameter	Value	Parameter	Value
Overall dimensions (millimetre)	Height	850	Total volume (dm ³ or l)
	Width	550	
	Depth	580	
EEI	100	Energy efficiency class	E
Airborne acoustical noise emissions (dB(A) re 1 pW)	40	Airborne acoustical noise emission class	C
Annual energy consumption (kWh/a)	139.07	Climate class:	subtropical
Minimum ambient temperature (°C), for which the refrigerating appliance is suitable	16	Maximum ambient temperature (°C), for which the refrigerating appliance is suitable	38
Winter setting	No		

Compartment Parameters:

Compartment type	Compartment parameters and values				
	Compartment volume (dm ³ or l)	Recommended temperature setting for optimised food storage (°C) These settings shall not contradict the storage conditions set out in Annex IV, Table 3	Freezing capacity (kg/24h)	Defrosting type (auto-defrost=A, manual defrost=M)	
Pantry	No	-	-	-	
Wine storage	No	-	-	-	
Cellar	No	-	-	-	
Fresh food	Yes	95	4	A	
Chill	No	-	-	-	
0-star or ice-making	No	-	-	-	

1-star	No	-	-	-	-
2-star	No	-	-	-	-
3-star	Yes	14	-18	-	M
4-star	No	-	-	-	-
2-star section	No	-	-	-	-
Variable temperature compartment	-	-	-	-	-
Light source parameters:					
Type of light source			-		
Energy efficiency class			-		
Minimum duration of the guarantee offered by the manufacturer: 24 months					
Additional information:					
Weblink to the manufacturer's website, where the information in point4(a) Annex of Commission Regulation (EU) 2019/2019 is found: https://www.etna.nl					