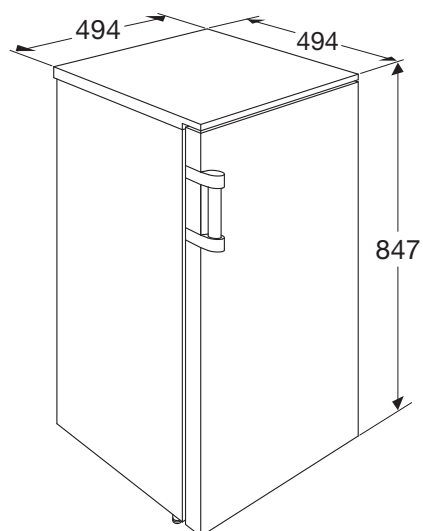


TAFELMODEL KOELKAST MET VRIESVAK (49 CM)



Specificaties

- totale inhoud koelgedeelte 85 liter
- totale inhoud ***vriesgedeelte 10 liter
- automatische ontdooing van het koelgedeelte
- deur met verwisselbare draairichting
- LED verlichting
- 2 glazen legplateaus met lekrand
- 1 brede groentelade

Technische specificaties

- afmeting (hxbxd) 847 x 494 x 494 mm
- aansluitwaarde 90 W
- energieverbruik per jaar 165 kWh/jaar
- energieklassen F
- geluidsniveau 39 dB(A)

Product Information Sheet

COMMISSION DELEGATED REGULATION (EU) 2019/2016

Supplier's name or trademark: ETNA

Supplier's address: Impact 83, 6921 RZ Duiven, NL

Model identifier: KVV249WIT

Type of refrigerating appliance:

Low-noise appliance:	No	Design type:	freestanding
----------------------	----	--------------	--------------

Wine storage appliance:	No	Other refrigerating appliance:	Yes
-------------------------	----	--------------------------------	-----

General product parameters:

Parameter		Value	Parameter	Value
Overall dimensions (millimetre)	Height	847	Total volume (dm ³ or l)	95
	Width	494		
	Depth	494		
EEl	125	Energy efficiency class	F	
Airborne acoustical noise emissions (dB(A) re 1 pW)	39	Airborne acoustical noise emission class	C	
Annual energy consumption (kWh/a)	164.98	Climate class:	subtropical	
Minimum ambient temperature (°C), for which the refrigerating appliance is suitable	16	Maximum ambient temperature (°C), for which the refrigerating appliance is suitable	38	
Winter setting	No			

Compartment Parameters:

Compartment type	Compartment parameters and values				
		Compartment volume (dm ³ or l)	Recommended temperature setting for optimised food storage (°C) These settings shall not contradict the storage conditions set out in Annex IV, Table 3	Freezing capacity (kg/24h)	Defrosting type (auto-defrost=A, manual defrost=M)
Pantry	No	-	-	-	-
Wine storage	No	-	-	-	-
Cellar	No	-	-	-	-
Fresh food	Yes	85	4	-	A
Chill	No	-	-	-	-
0-star or ice-making	No	-	-	-	-

1-star	No	-	-	-	-
2-star	No	-	-	-	-
3-star	Yes	10	-18	-	M
4-star	No	-	-	-	-
2-star section	No	-	-	-	-
Variable temperature compartment	-	-	-	-	-
Light source parameters:					
Type of light source			-		
Energy efficiency class			-		
Minimum duration of the guarantee offered by the manufacturer: 24 months					
Additional information:					
Weblink to the manufacturer's website, where the information in point4(a) Annex of Commission Regulation (EU) 2019/2019 is found: https://www.etna.nl					