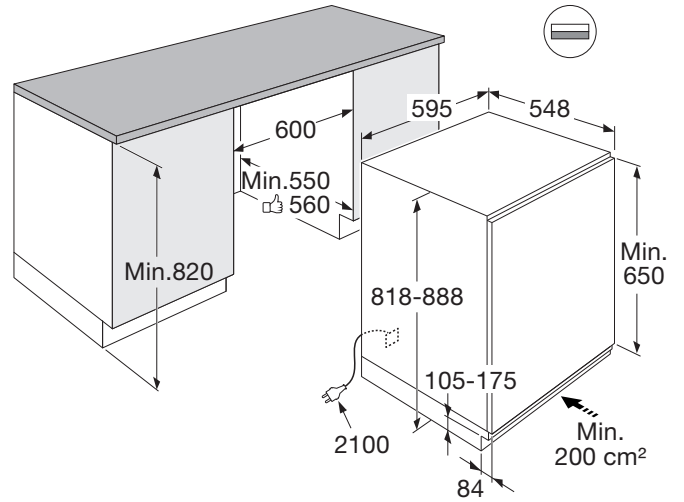


ONDERBOUW DEUR-OP-DEUR KOELKAST MET VRIESVAK (82 CM)



**Specificaties**

- totale inhoud koelgedeelte 98 liter
- totale inhoud \*\*\*vriesgedeelte 17 liter
- automatische ontdooiing van het koelgedeelte
- deur met verwisselbare draairichting
- LED verlichting
- 2 glazen legplateaus met lekrand
- deur-op-deur systeem
- zelfsluitend bij deuropening < 20 °

**Technische specificaties**

- buitenmaten (hxbxd) 818 -888 x 595 x 548 mm
- aansluitwaarde 123 W
- invriescapaciteit 2,6 kg/24h
- energieverbruik 187 kWh/jaar
- energieklassen F
- geluidsniveau 39 dB(A)

# Product Information Sheet

COMMISSION DELEGATED REGULATION (EU) 2019/2016

**Supplier's name or trademark:** ETNA

**Supplier's address:** Impact 83, 6921 RZ Duiven, NL

**Model identifier:** KVO482

**Type of refrigerating appliance:**

Low-noise appliance:	No	Design type:	built-in
Wine storage appliance:	No	Other refrigerating appliance:	Yes

**General product parameters:**

Parameter	Value	Parameter	Value
Overall dimensions (millimetre)	Height	818	Total volume (dm <sup>3</sup> or l)
	Width	595	
	Depth	548	
EEI	125	Energy efficiency class	F
Airborne acoustical noise emissions (dB(A) re 1 pW)	39	Airborne acoustical noise emission class	C
Annual energy consumption (kWh/a)	187	Climate class:	extended temperate
Minimum ambient temperature (°C), for which the refrigerating appliance is suitable	10	Maximum ambient temperature (°C), for which the refrigerating appliance is suitable	32
Winter setting	Yes		

**Compartment Parameters:**

Compartment type	Compartment parameters and values				
	Compartment volume (dm <sup>3</sup> or l)	Recommended temperature setting for optimised food storage (°C) These settings shall not contradict the storage conditions set out in Annex IV, Table 3	Freezing capacity (kg/24h)	Defrosting type (auto-defrost=A, manual defrost=M)	
Pantry	No	-	-	-	-
Wine storage	No	-	-	-	-
Cellar	No	-	-	-	-
Fresh food	Yes	97.6	4	-	A
Chill	No	-	-	-	-
0-star or ice-making	No	-	-	-	-

1-star	No	-	-	-	-
2-star	No	-	-	-	-
3-star	No	-	-	-	-
4-star	Yes	17.1	-18	2.6	M
2-star section	No	-	-	-	-
Variable temperature compartment	-	-	-	-	-
<b>For 4-star compartments</b>					
Fast freeze facility			Yes		
<b>Light source parameters:</b>					
Type of light source			Lighting technology used: LED; Non-directional or directional: NDLS; Mains or non-mains: MLS; Connected light source (CLS): No; Colour-tuneable light source: No; Envelope: -; High luminance light source: No; Anti-glare shield: No; Dimmable: No		
Energy efficiency class			E		
<b>Minimum duration of the guarantee offered by the manufacturer:</b> 24 months					
<b>Additional information:</b>					
<b>Weblink to the manufacturer's website, where the information in point4(a) Annex of Commission Regulation (EU) 2019/2019 is found:</b> <a href="http://www.etna.nl">http://www.etna.nl</a>					