



Onderbouw wijnklimaatkast - ConnectLife

KU8571K2C zwart glas

Uitvoering

- 2 klimaatzones instelbaar van 5°C tot 20°C
- greeploos design: touch-to-open deur
- ruimte voor 38 flessen (0,75 l bordeaux)
- 5 houten legplateaus waarvan 3 op volledig uittrekbare telescopische rails
- Full colour TFT display
- isolatieglas met UV-coating
- energielabel: F

Functies

- Vivino integratie: ontdek alles over de wijn door het etiket te scannen met de ConnectLife app
- beheer je wijncollectie met het digitale wijnvoorraadsysteem
- dimbare LED verlichting: verschillende kleurtinten (warm en koud), intensiteit en modes instelbaar
- alle functionaliteit binnen handbereik op je Android- of IOS apparaat via de ConnectLife Wine app
- monitoring van temperatuurschommeling, luchtvochtigheid en open deur alarm met push notificaties via ConnectLife app

Bediening

- via het led touch display
- op afstand via ConnectLife Wine app
- kinderslot bediening

Toebehoren

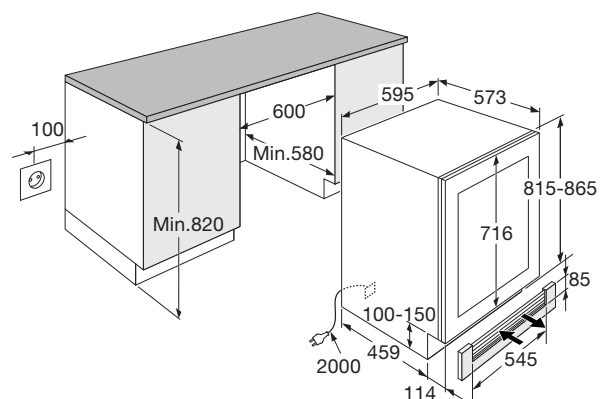
- 1 koolstoffilter
- krijtbordjes

Technische specificaties

- draairichting van de deur omwisselbaar, standaard rechtsdraaiend
- trillingvrije compressor
- plintventilatie
- stelpoten in hoogte verstelbaar
- geschikt voor omgevingstemperatuur: SN-T (10-43 °C)
- energieverbruik: 104 kWh/jaar
- geluidsniveau 35 dB(A)
- aansluitwaarde: 110 W

Accessoires

- HF2003 Koolstoffilters (3 stuks)



Product Information Sheet

COMMISSION DELEGATED REGULATION (EU) 2019/2016 with regard to energy labelling of refrigerating appliances

Supplier's name or trade mark: Atag

Supplier's address: ATAG, Impact 83, 6921 RZ Duiven, NL

Model identifier: KU8571K2C

Type of refrigerating appliance:

| | | | |
|-------------------------|-----|--------------------------------|----------|
| Low-noise appliance: | No | Design type: | built-in |
| Wine storage appliance: | Yes | Other refrigerating appliance: | No |

General product parameters:

| Parameter | Value | Parameter | Value |
|---|--------|---|--|
| Overall dimensions (millimetre) | Height | 815 | Total volume (dm ³ or l) |
| | Width | 595 | |
| | Depth | 573 | |
| EEL | 122 | Energy efficiency class | F |
| Airborne acoustical noise emissions (dB(A) re 1 pW) | 35 | Airborne acoustical noise emission class | B |
| Annual energy consumption (kWh/a) | 104 | Climate class: | extended temperate, temperate, subtropical, tropical |
| Minimum ambient temperature (°C), for which the refrigerating appliance is suitable | 10 | Maximum ambient temperature (°C), for which the refrigerating appliance is suitable | 43 |
| Winter setting | No | | |

Compartment Parameters:

| Compartment type | Compartment parameters and values | | | |
|------------------|---|--|----------------------------|--|
| | Compartment Volume (dm ³ or l) | Recommended temperature setting for optimised food storage (°C) These settings shall not contradict the storage conditions set out in Annex IV, Table 3 | Freezing capacity (kg/24h) | Defrosting type (auto-defrost=A, manual defrost=M) |
| | | | | |

| | | | | | |
|---|-----|------|-----|---|---|
| Pantry | No | - | - | - | - |
| Wine storage | Yes | 48,0 | 12 | - | A |
| Wine storage | Yes | 72,0 | 12 | - | A |
| Cellar | No | - | - | - | - |
| Fresh food | No | - | - | - | - |
| Chill | No | - | - | - | - |
| 0-star or ice-making | No | - | - | - | - |
| 1-star | No | - | - | - | - |
| 2-star | No | - | - | - | - |
| 3-star | No | - | - | - | - |
| 4-star | No | - | - | - | - |
| 2-star section | No | - | - | - | - |
| Variable temperature compartment | - | - | - | - | - |
| For wine storage appliances | | | | | |
| Number of standard wine bottles | | | 38 | | |
| Light source parameters: | | | | | |
| Type of light source | | | LED | | |
| Energy efficiency class | | | G | | |
| Minimum duration of the guarantee offered by the manufacturer: 24 months | | | | | |
| Additional information: | | | | | |
| Weblink to the manufacturer's website, where the information in point4(a) Annex of Commission Regulation (EU) 2019/2019 is found: https://www.atag.nl | | | | | |