



Onderbouw wijnklimaatkast

LED

KU8071K2 zwart glas

Uitvoering

- energielabel: G
- totale inhoud: 94 liter
- ruimte voor 34 flessen (0,75 l bordeaux)
- zwart glazen deur met touch-to-open

Kenmerken

- 2 klimaatzones instelbaar van 5°C tot 20°C
- aantal plateaus: 5
- 3 beukenhouten draagplateaus op telescooprails
- dimbare LED-verlichting
- ventilator voor luchtvochtigheidsregeling

Bediening

- elektronische temperatuurregeling
- digitaal temperatuurdisplay (LCD)
- full touch control
- kinderslot

Bijzonderheden

- actief koolstoffilter
- isolatieglas met UV-coating
- draairichting van de deur omwisselbaar
- optisch en akoestisch temperatuuralarm
- trillingsvrije ophanging compressor

Toebehoren

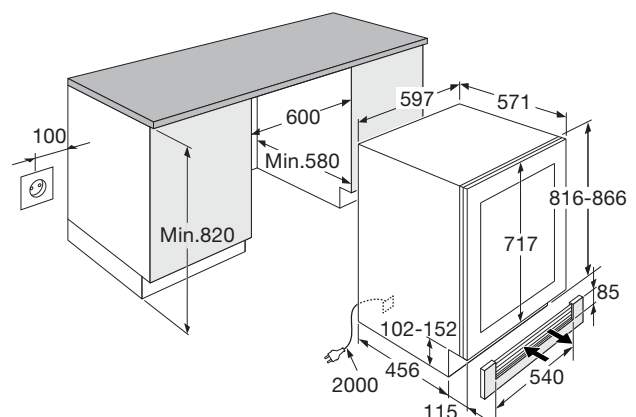
- labels en clips
- koolstoffilter

Technische specificaties

- geschikt voor omgevingstemperatuur SN-ST (10-38°C)
- energieverbruik: 146 kWh/jaar
- geluidsniveau 35 dB(A)
- aansluitwaarde: 345 W
- plintventilatie
- stelpoten in hoogte verstelbaar

Accessoires

HF2014 Koolstoffilters (set van 2 stuks)



Product Information Sheet

COMMISSION DELEGATED REGULATION (EU) 2019/2016

Supplier's name or trademark: ATAG

Supplier's address: Impact 83, 6921 RZ Duiven, NL

Model identifier: KU8071K2

Type of refrigerating appliance:

Low-noise appliance:	No	Design type:	built-in
Wine storage appliance:	Yes	Other refrigerating appliance:	No

General product parameters:

Parameter		Value	Parameter	Value
Overall dimensions (millimetre)	Height	818	Total volume (dm ³ or l)	94
	Width	597		
	Depth	577		
EEl	175	Energy efficiency class	G	
Airborne acoustical noise emissions (dB(A) re 1 pW)	35	Airborne acoustical noise emission class	B	
Annual energy consumption (kWh/a)	145.64	Climate class:	extended temperate, temperate, subtropical	
Minimum ambient temperature (°C), for which the refrigerating appliance is suitable	10	Maximum ambient temperature (°C), for which the refrigerating appliance is suitable	38	
Winter setting	No			

Compartment Parameters:

Compartment type	Compartment parameters and values				
	Compartment volume (dm ³ or l)	Recommended temperature setting for optimised food storage (°C) These settings shall not contradict the storage conditions set out in Annex IV, Table 3	Freezing capacity (kg/24h)	Defrosting type (auto-defrost=A, manual defrost=M)	
Pantry	No	-	-	-	
Wine storage	Yes	94	12	A	
Cellar	No	-	-	-	
Fresh food	No	-	-	-	
Chill	No	-	-	-	

0-star or ice-making	No	-	-	-	-
1-star	No	-	-	-	-
2-star	No	-	-	-	-
3-star	No	-	-	-	-
4-star	No	-	-	-	-
2-star section	No	-	-	-	-
Variable temperature compartment	-	-	-	-	-
Light source parameters:					
Type of light source	Lighting technology used: LED; Non-directional or directional: DLS; Mains or non-mains: NMLS; Connected light source (CLS): No; Colour-tuneable light source: No; Envelope: -; High luminance light source: No; Anti-glare shield: No; Dimmable: Only with specific dimmers				
Energy efficiency class	E				
Type of light source	Lighting technology used: LED; Non-directional or directional: DLS; Mains or non-mains: NMLS; Connected light source (CLS): No; Colour-tuneable light source: No; Envelope: -; High luminance light source: No; Anti-glare shield: No; Dimmable: Only with specific dimmers				
Energy efficiency class	E				
Minimum duration of the guarantee offered by the manufacturer: 24 months					
Additional information:					
Weblink to the manufacturer's website, where the information in point4(a) Annex of Commission Regulation (EU) 2019/2019 is found: https://www.atag.nl					