



Onderbouw vriezer met 3 laden

KU2590C deur-op-deur

Uitvoering

- totale inhoud: 101 liter
- deur-op-deur montage met soft-close
- zelfsluitend binnen een hoek van 20°
- energielabel: D

Vriesgedeelte

- LowFrost, 4-sterren vriesgedeelte
- invriesvermogen: 4,6 kg per 24 uur
- FastFreeze
- 3 transparante laden
- temperatuur instelbaar tussen -14°C en -24°C
- 2 glazen plateaus

Bediening

- touch control met temperatuurweergave

Bijzonderheden

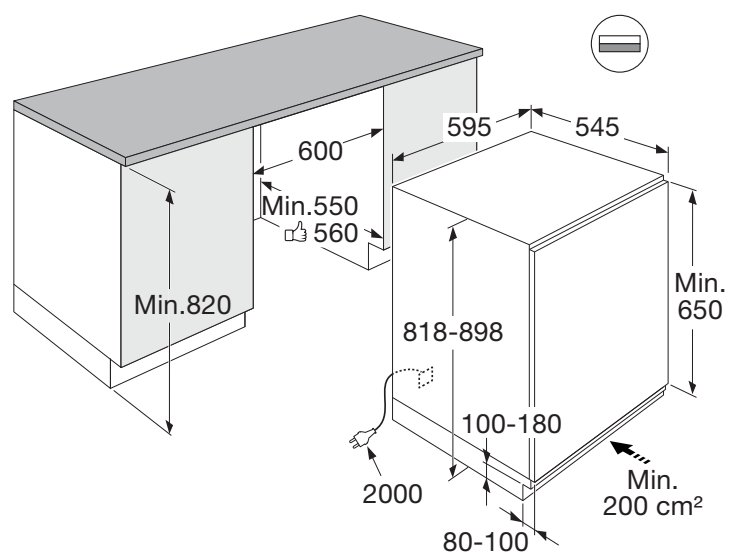
- draairichting van de deur omkeerbaar (links- of rechtsdraaiend)
- akoestisch en visueel alarm bij te hoge temperatuur of deur open

Toebehoren

- 1 IceTray

Technische specificaties

- geschikt voor omgevingstemperatuur: SN-ST (10-38 °C)
- energieverbruik: 142 kWh/jaar
- geluidsniveau: 35 dB(A)
- aansluitwaarde: 100 W



Product Information Sheet

COMMISSION DELEGATED REGULATION (EU) 2019/2016 with regard to energy labelling of refrigerating appliances

Supplier's name or trade mark: ATAG

Supplier's address: ATAG Service, Impact 83, 6921 RA Duiven, NL

Model identifier: KU2590C

Type of refrigerating appliance:

Low-noise appliance:	No	Design type:	built-in
Wine storage appliance:	No	Other refrigerating appliance:	Yes

General product parameters:

Parameter	Value	Parameter	Value
Overall dimensions (millimetre)	Height	818	Total volume (dm ³ or l)
	Width	595	
	Depth	545	
EEI	80	Energy efficiency class	D
Airborne acoustical noise emissions (dB(A) re 1 pW)	35	Airborne acoustical noise emission class	B
Annual energy consumption (kWh/a)	142	Climate class:	extended temperate, temperate, subtropical
Minimum ambient temperature (°C), for which the refrigerating appliance is suitable	10	Maximum ambient temperature (°C), for which the refrigerating appliance is suitable	38
Winter setting	No		

Compartment Parameters:

Compartment type	Compartment parameters and values			
	Compartment Volume (dm ³ or l)	Recommended temperature setting for optimised food storage (°C) These settings shall not contradict the storage conditions set out in Annex IV, Table 3	Freezing capacity (kg/24h)	Defrosting type (auto-defrost=A, manual defrost=M)

Pantry	No	-	-	-	-
Wine storage	No	-	-	-	-
Cellar	No	-	-	-	-
Fresh food	No	-	-	-	-
Chill	No	-	-	-	-
0-star or ice-making	No	-	-	-	-
1-star	No	-	-	-	-
2-star	No	-	-	-	-
3-star	No	-	-	-	-
4-star	Yes	101,0	-18	4,6	M
2-star section	No	-	-	-	-
Variable temperature compartment	-	-	-	-	-
For 4-star compartments					
Fast freeze facility			Yes		
Light source parameters:					
Type of light source			-		
Energy efficiency class			-		
Minimum duration of the guarantee offered by the manufacturer: 24 months					
Additional information:					
Weblink to the manufacturer's website, where the information in point4(a) Annex of Commission Regulation (EU) 2019/2019 is found: https://www.atag.nl/					