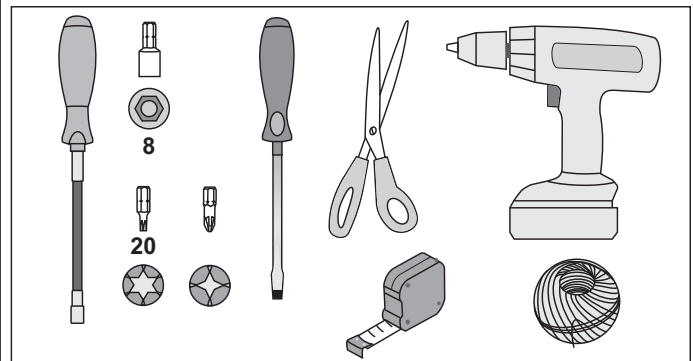
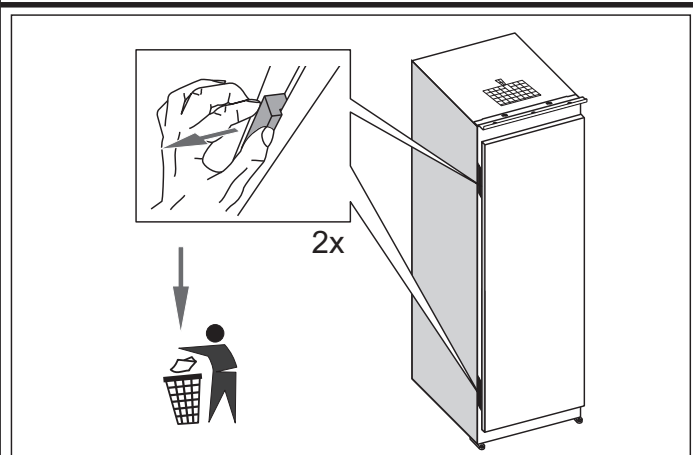
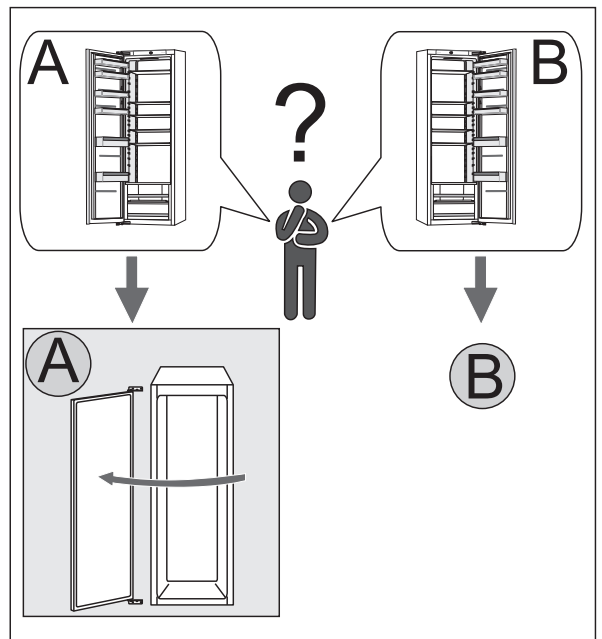
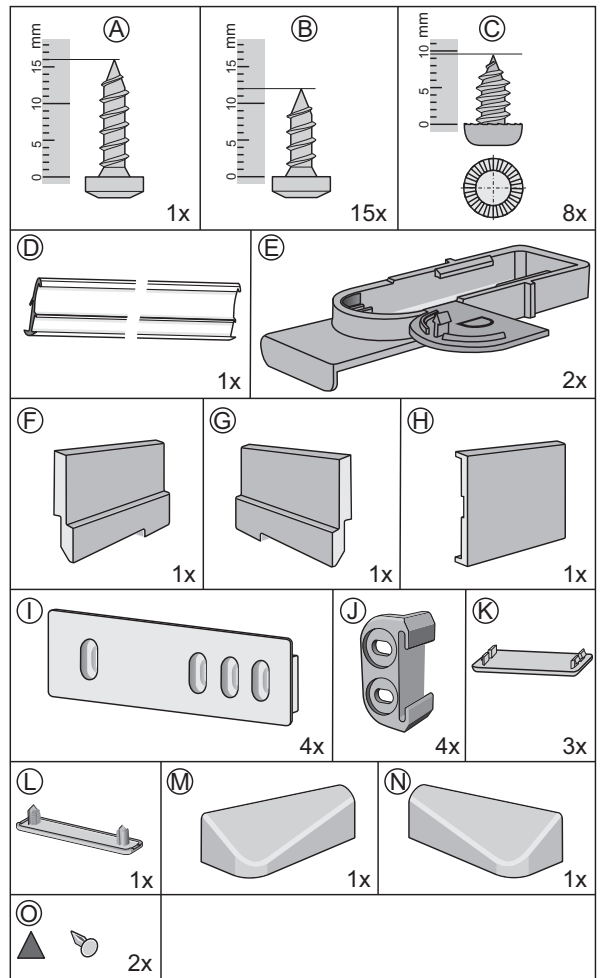
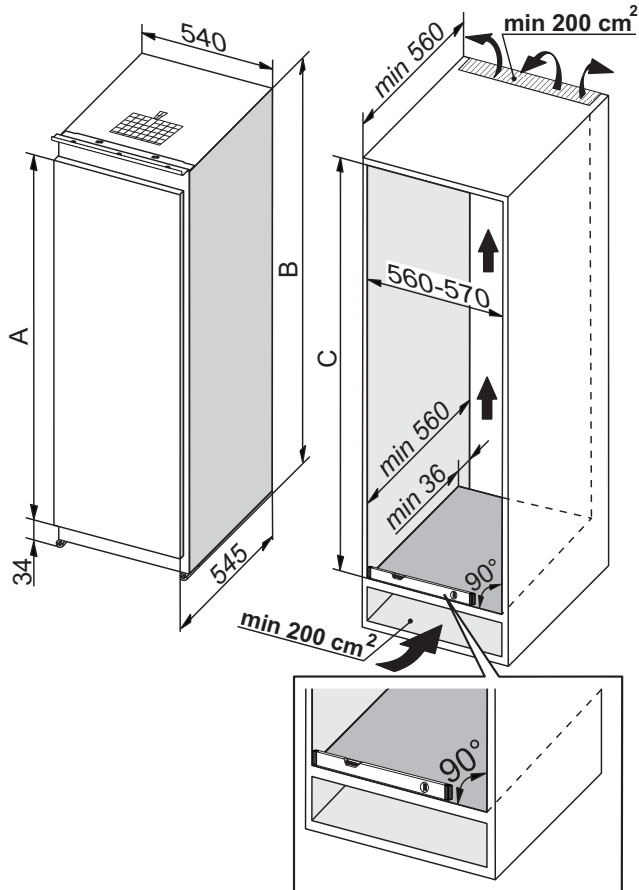
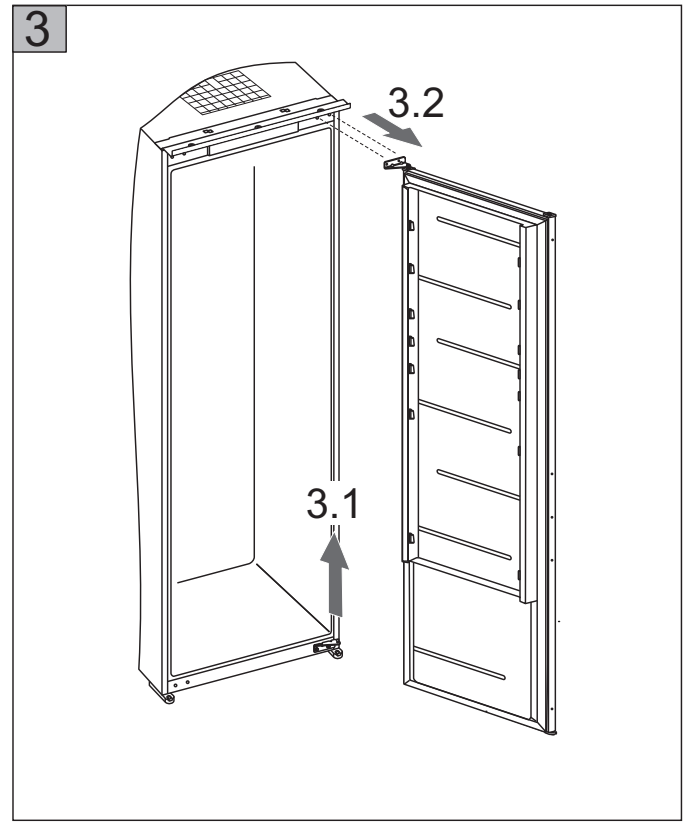
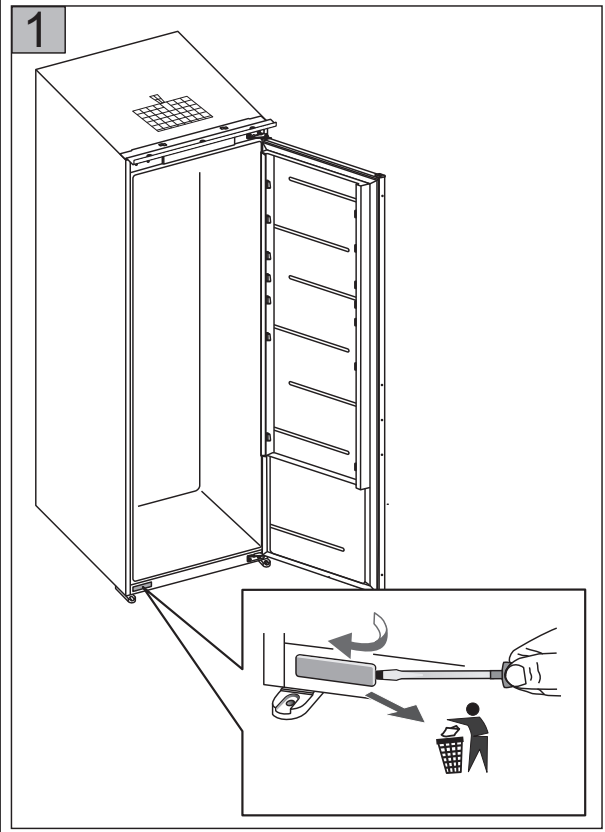
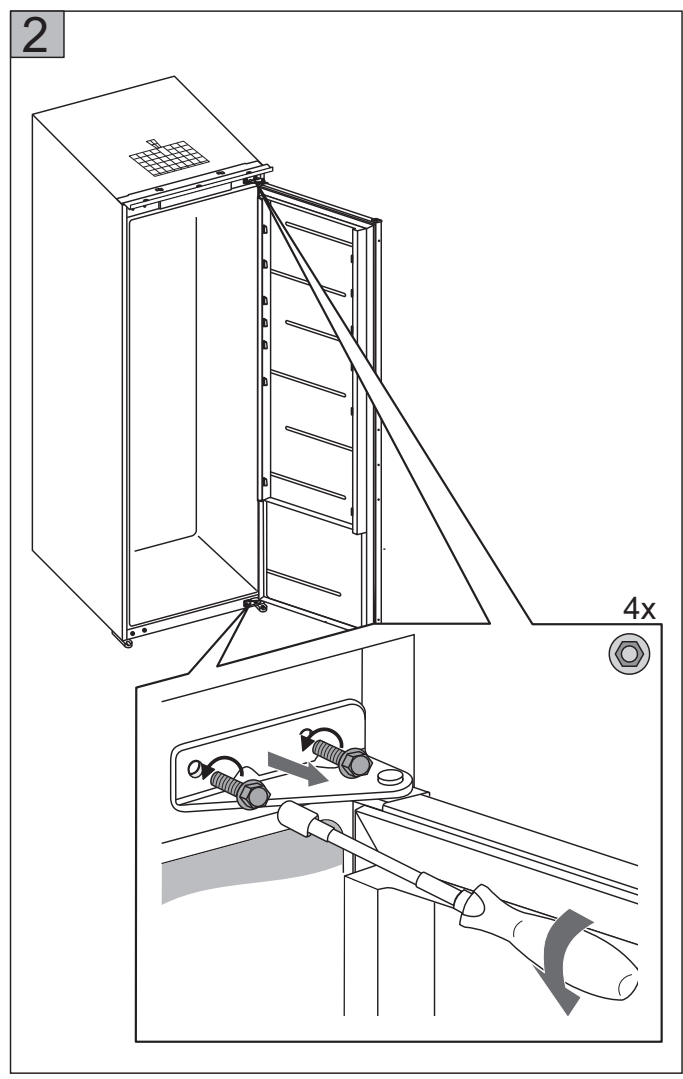
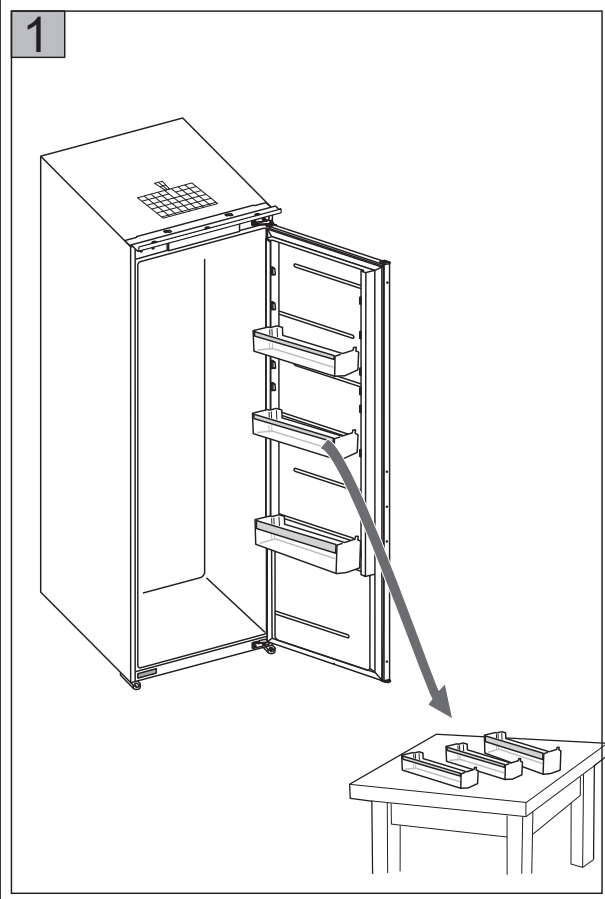
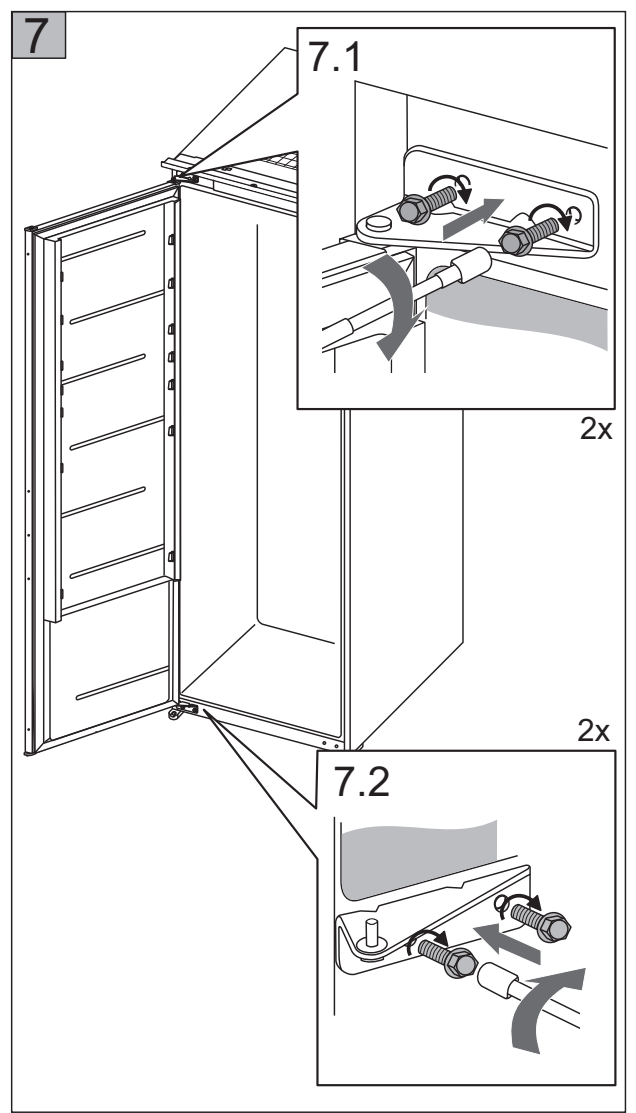
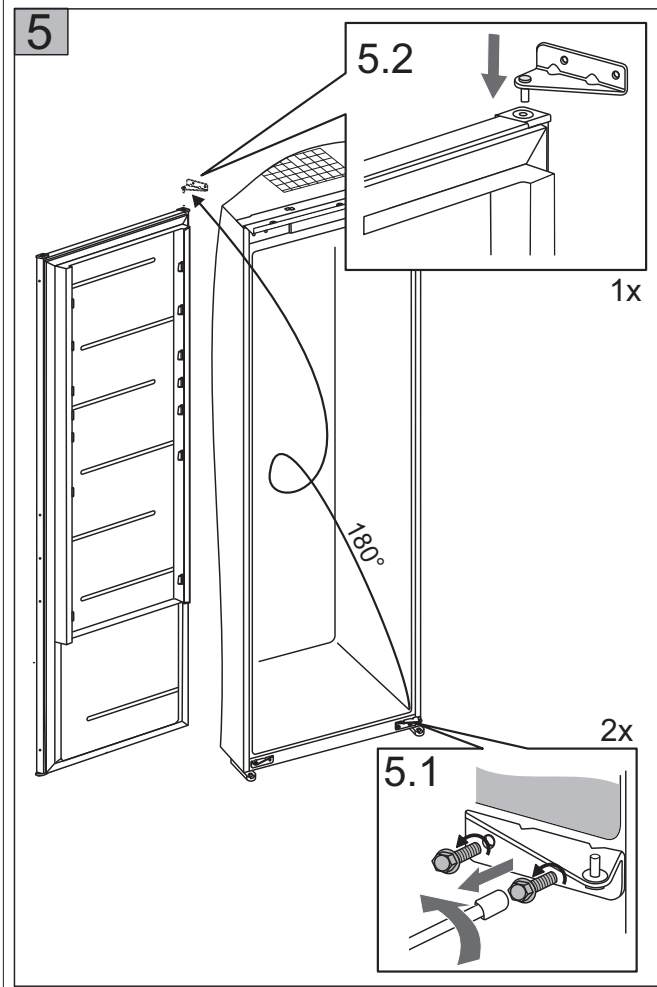
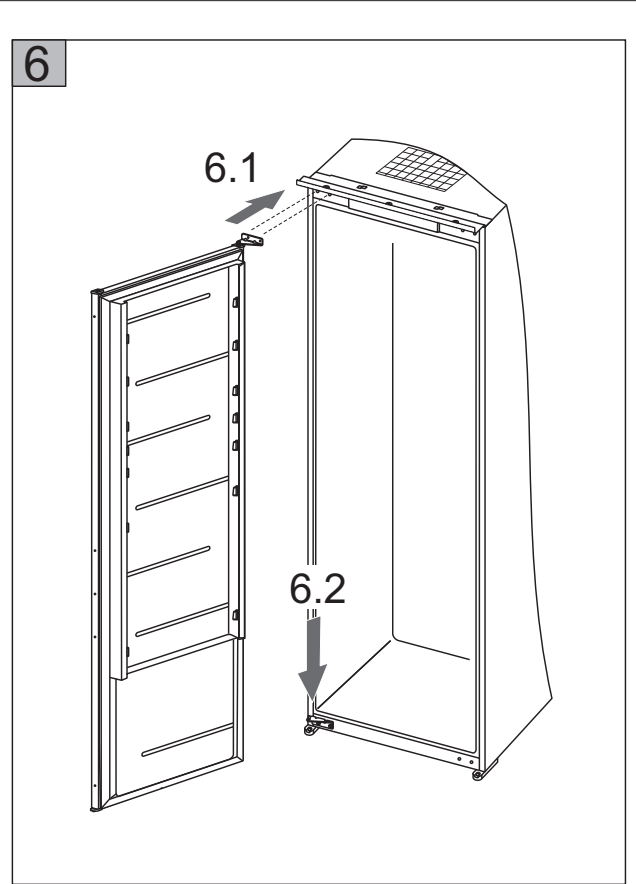
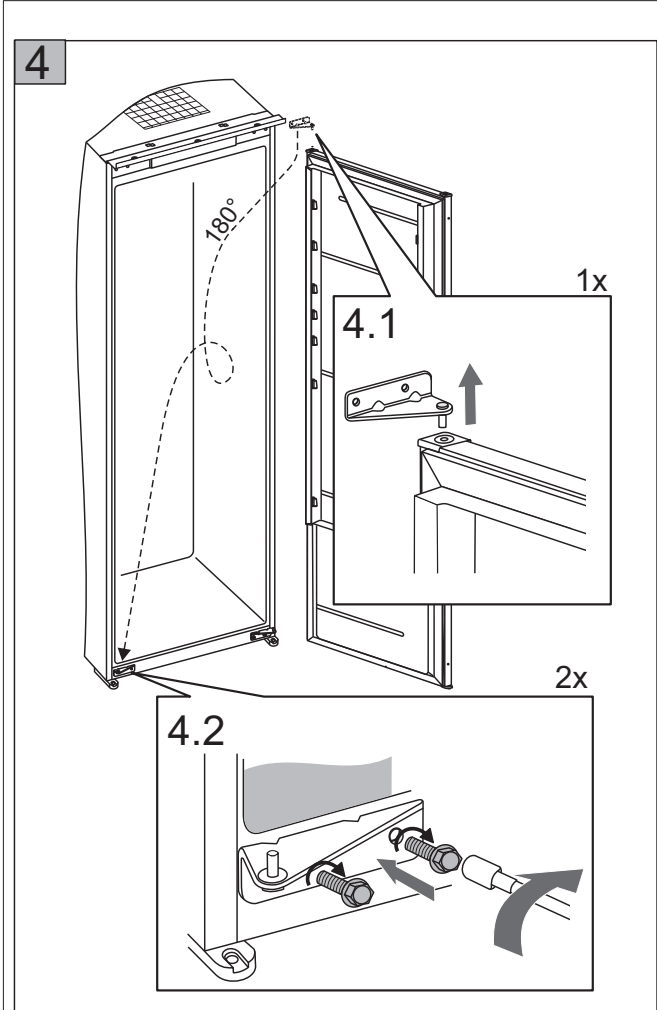


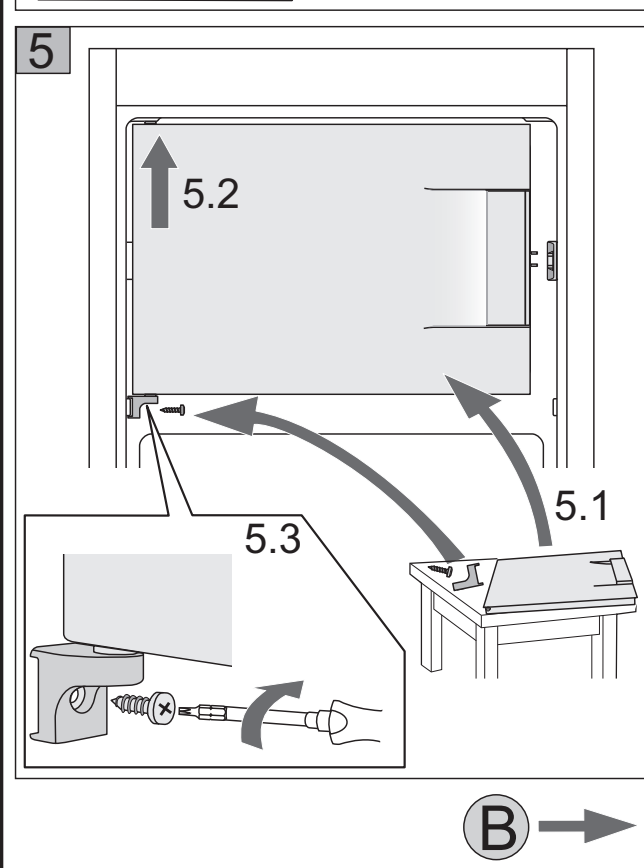
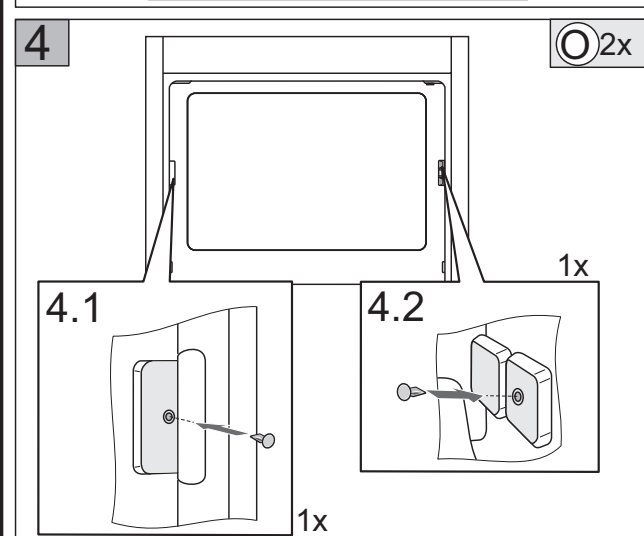
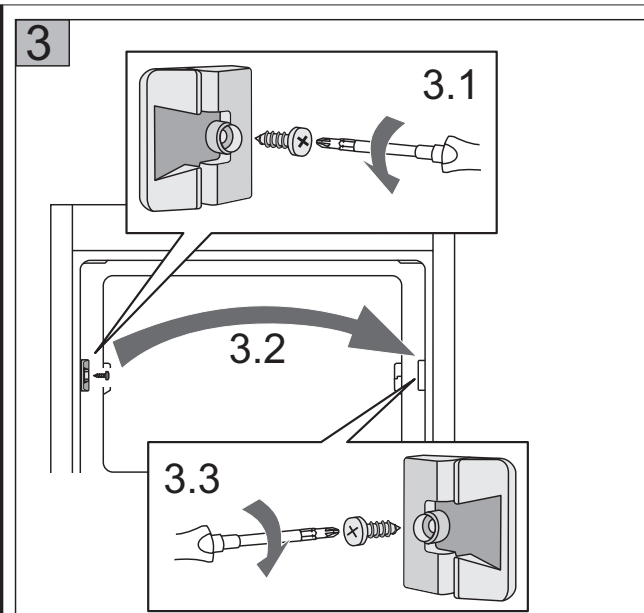
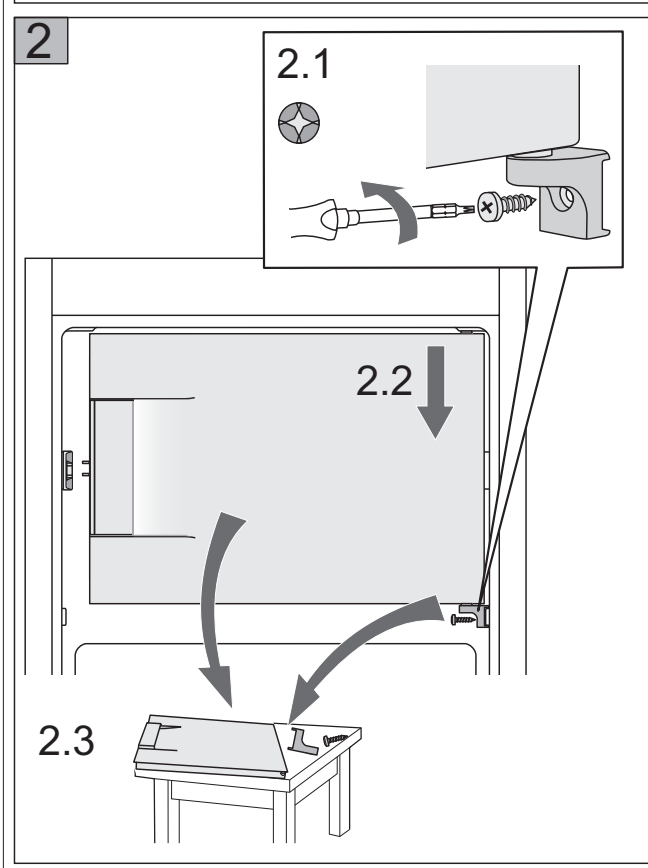
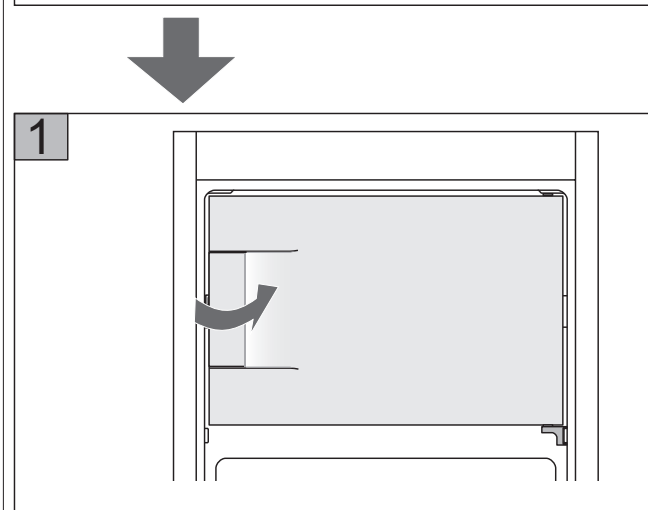
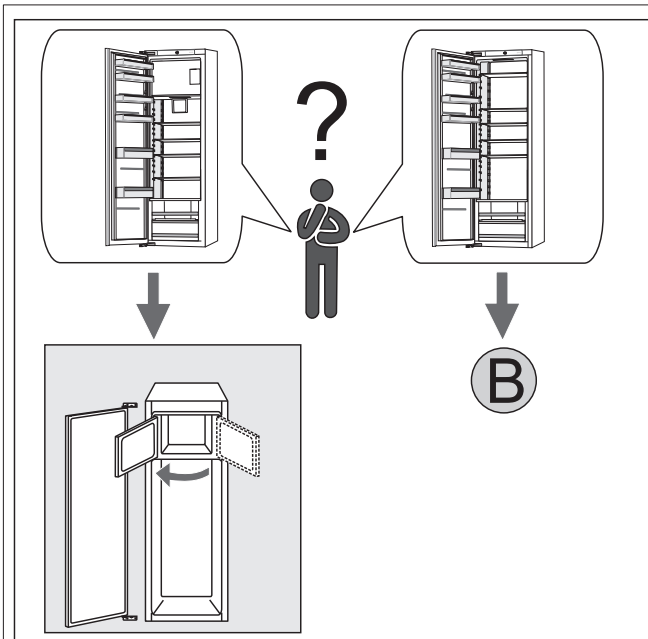


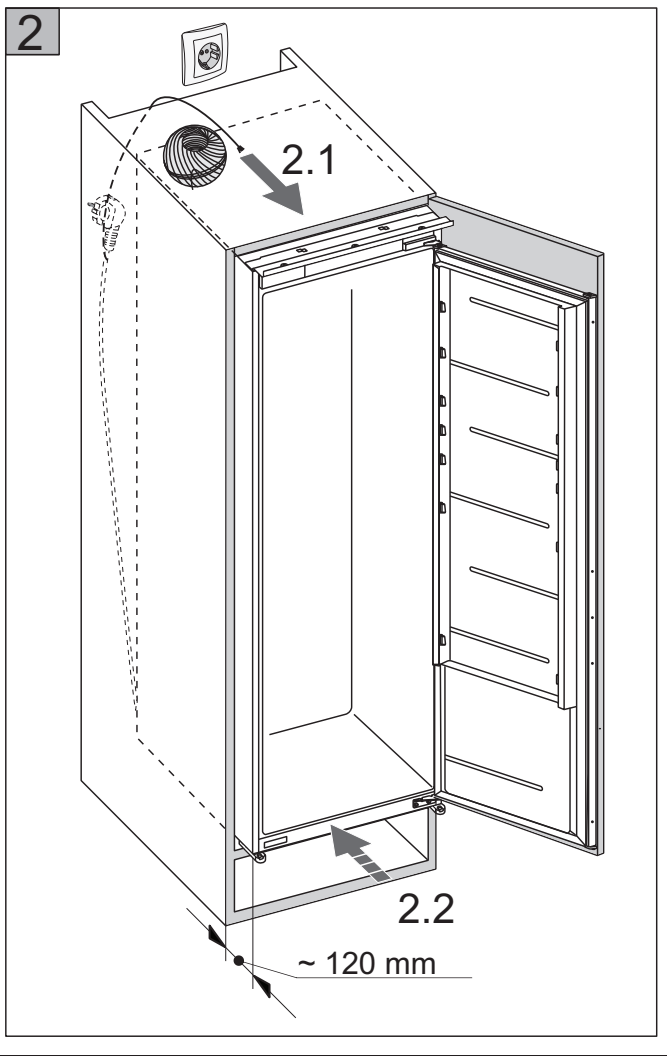
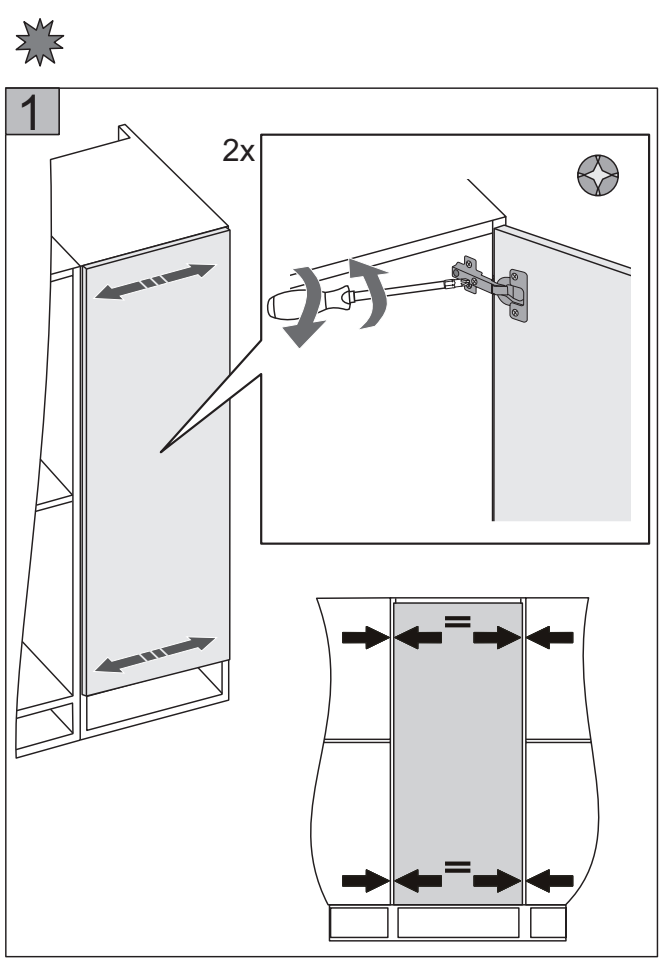
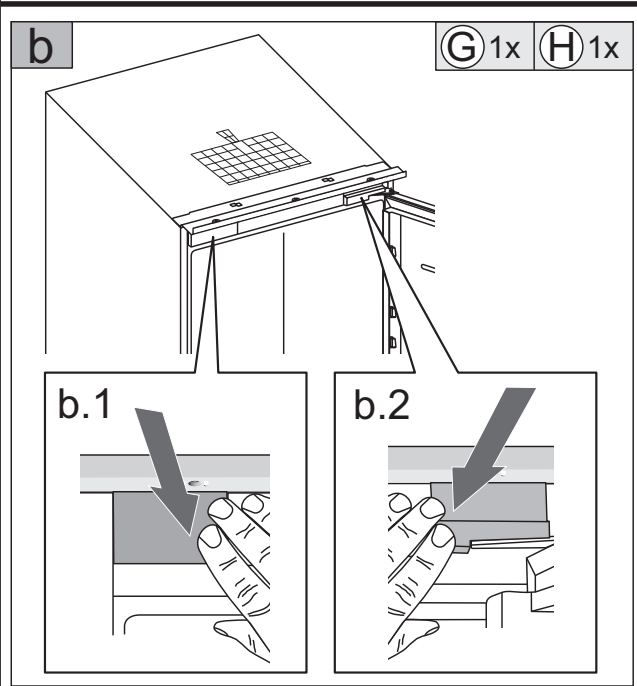
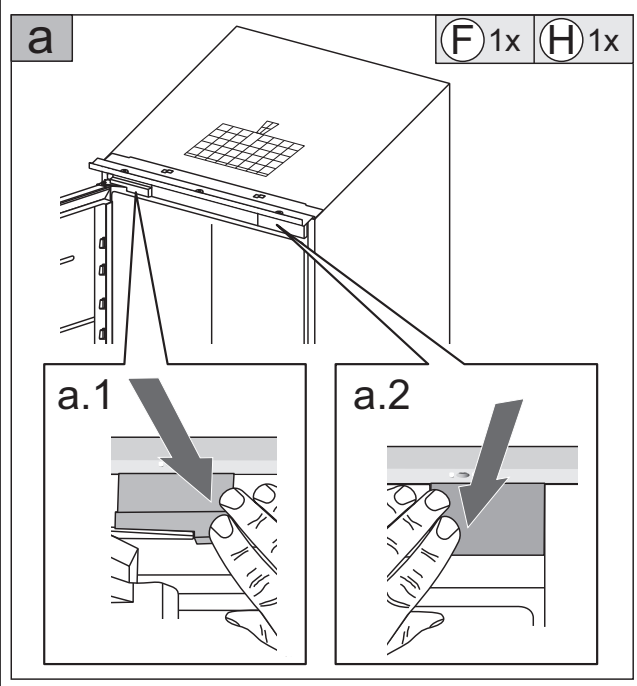
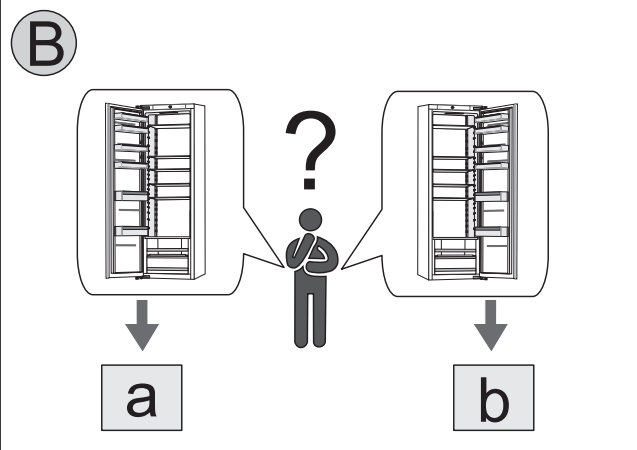
A(mm)	B (mm)	C (mm)
1722	1772	1775-1780
1347	1397	1400-1405
1175	1224	1225-1231
975	1024	1025-1031
825	875	878- 883

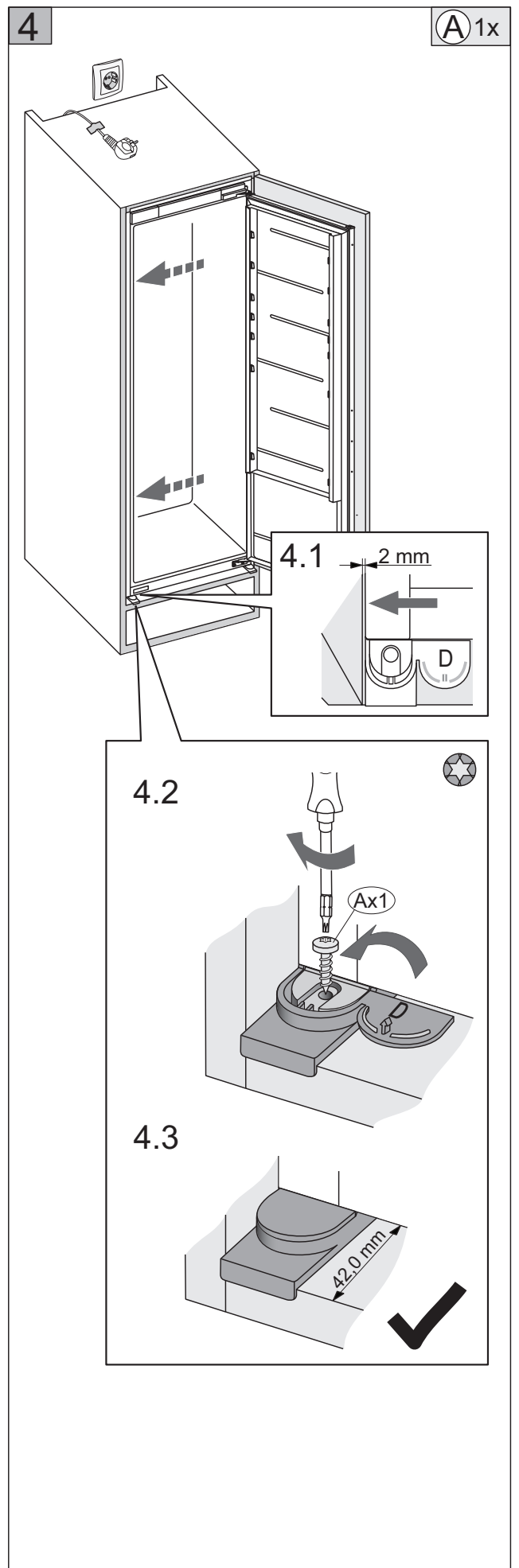
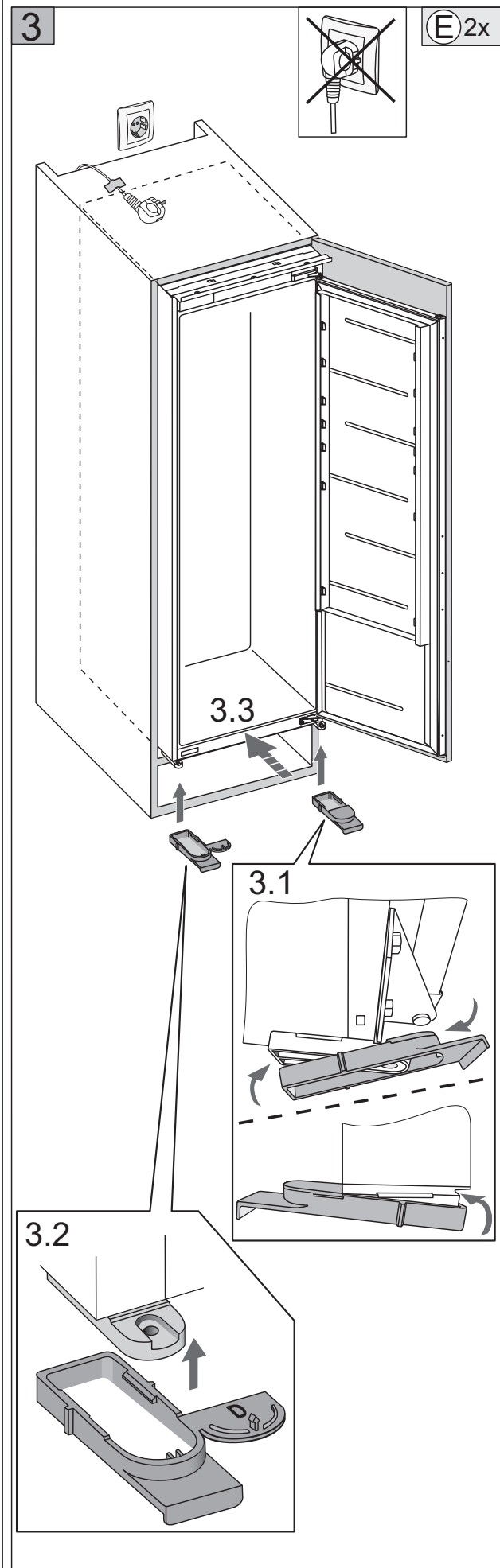






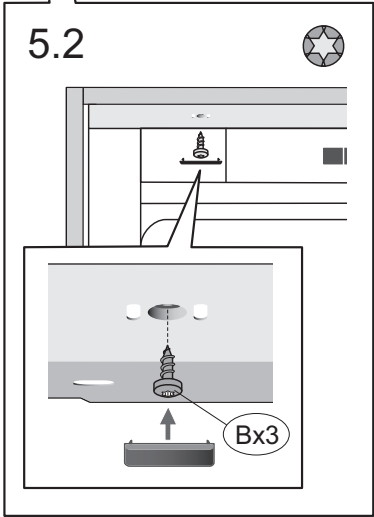
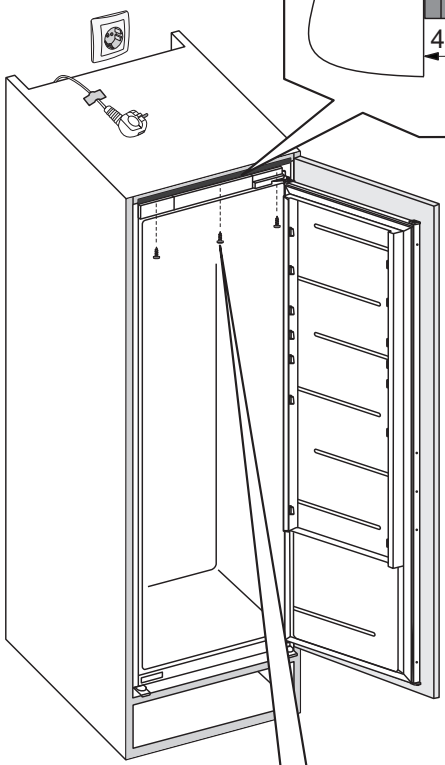
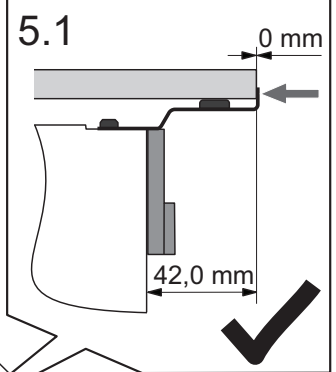






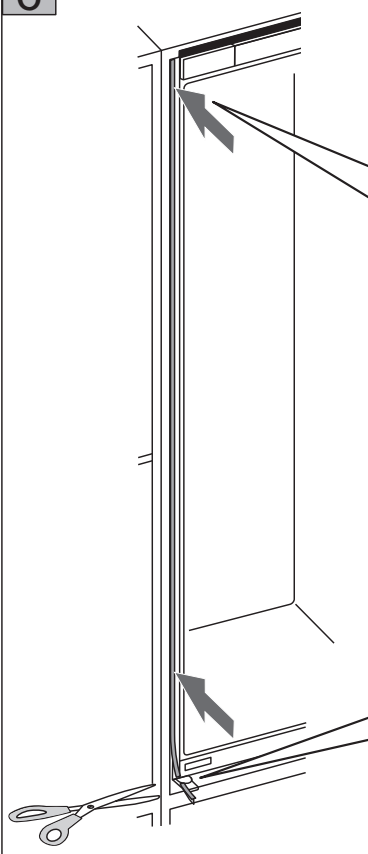
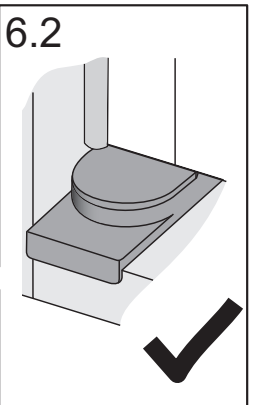
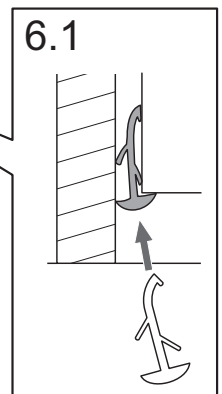
5

B 3x K 3x



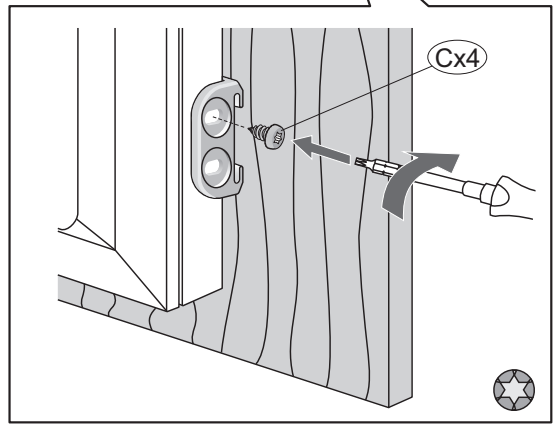
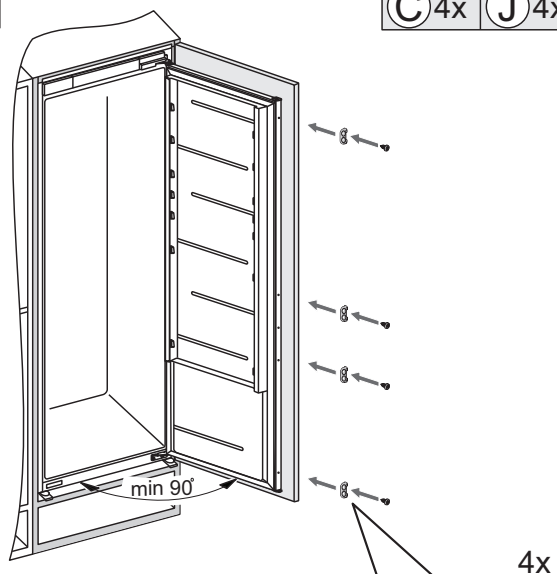
6

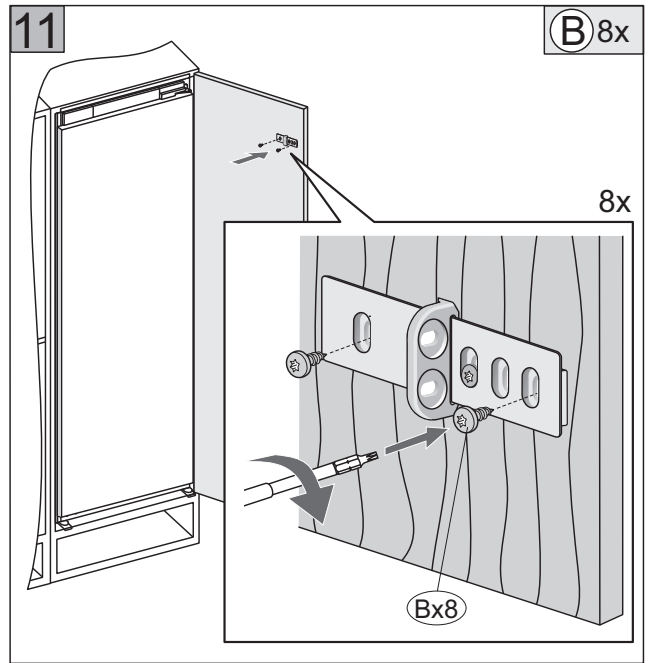
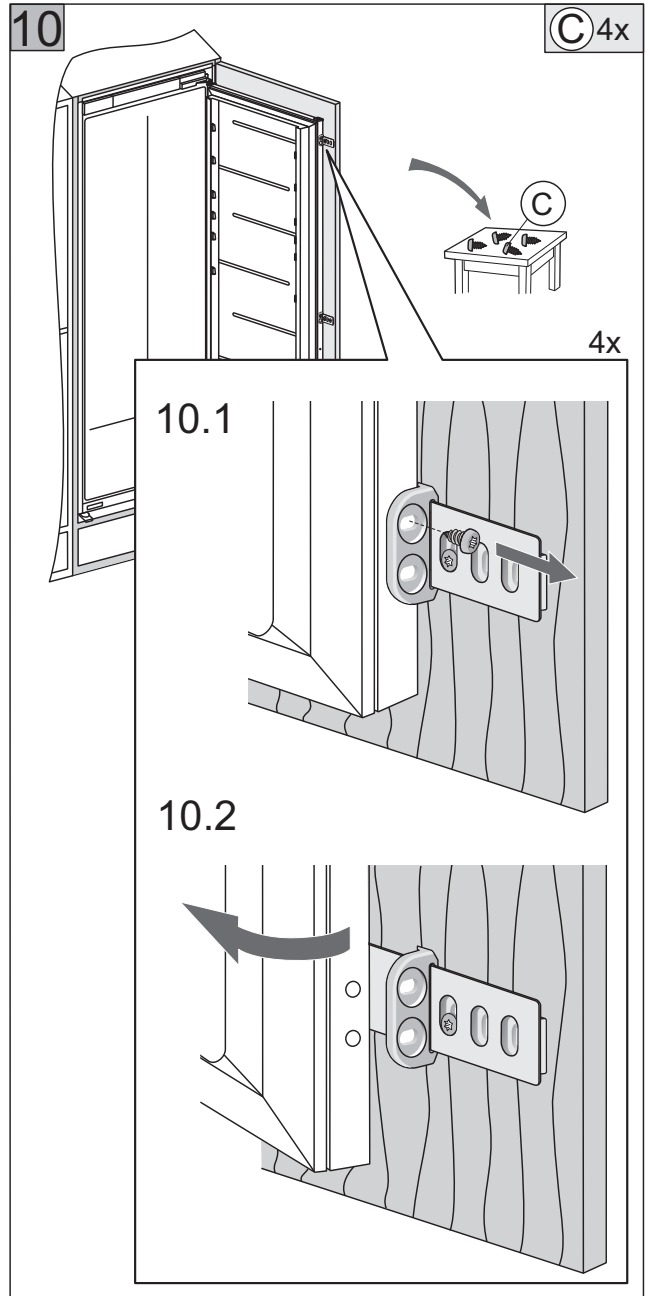
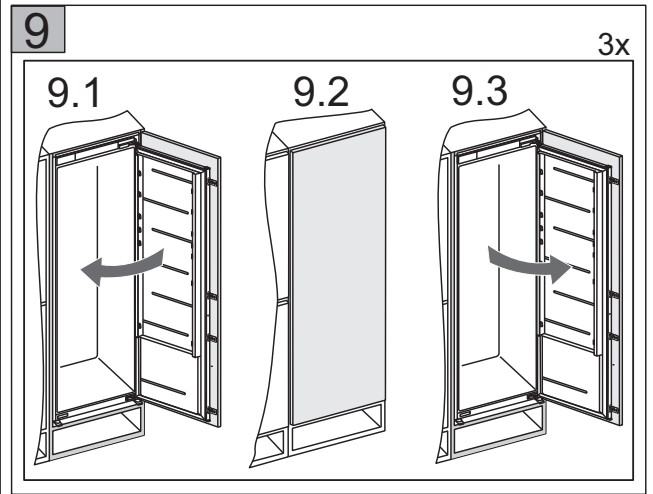
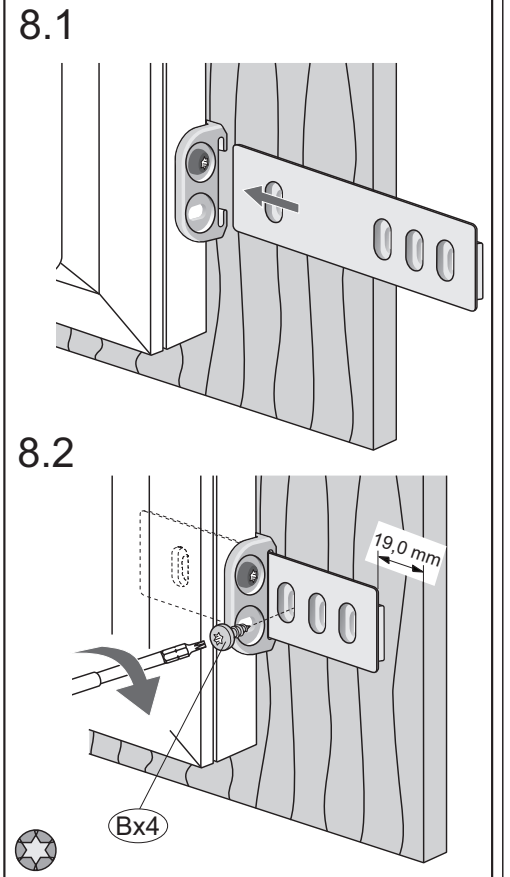
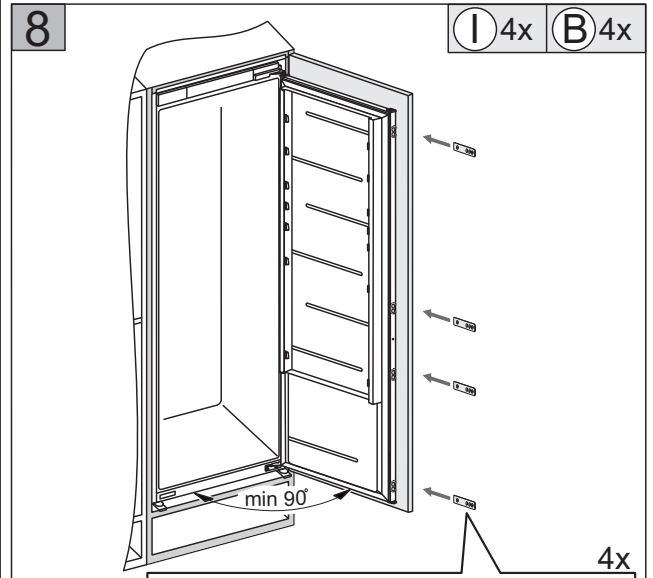
D 1x



7

C 4x J 4x

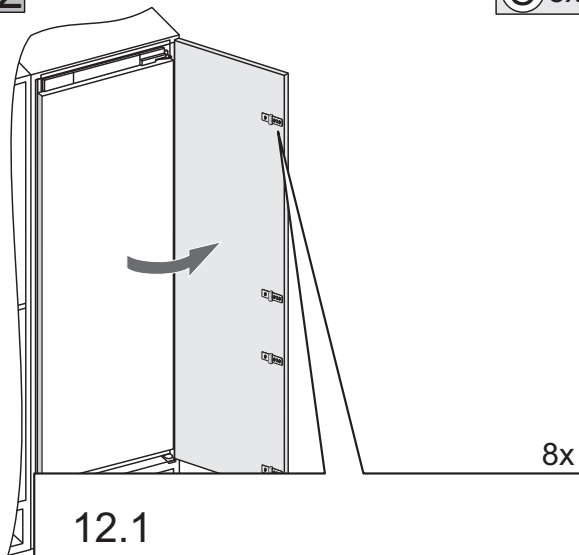






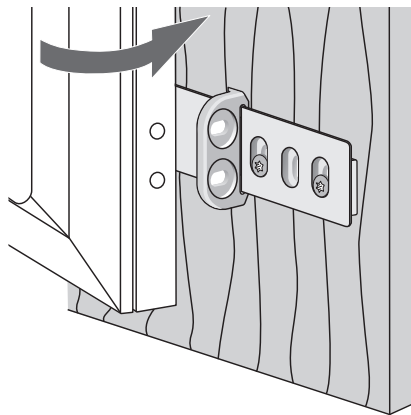
12

C 8x

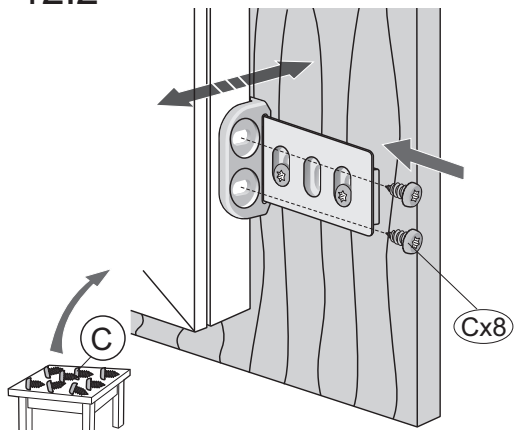


8x

12.1

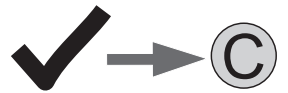
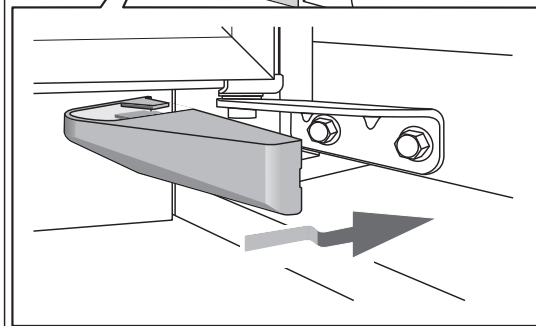
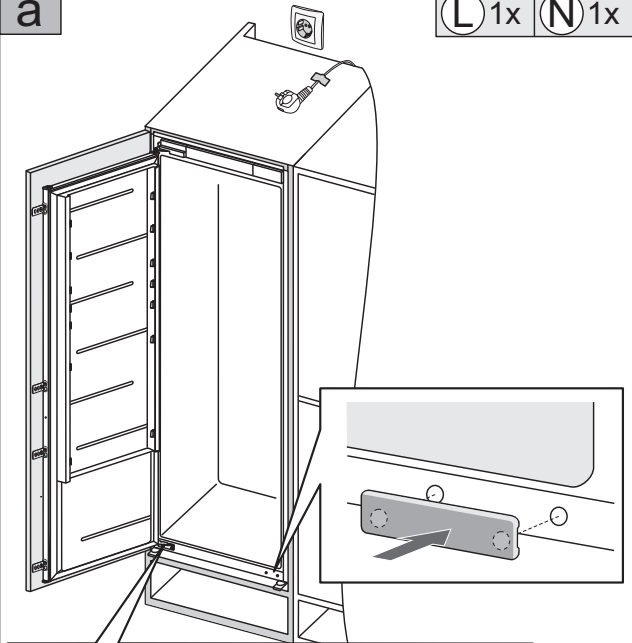


12.2



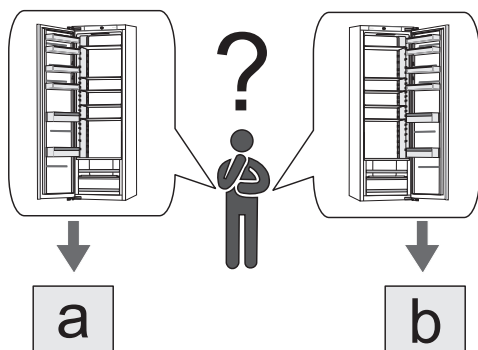
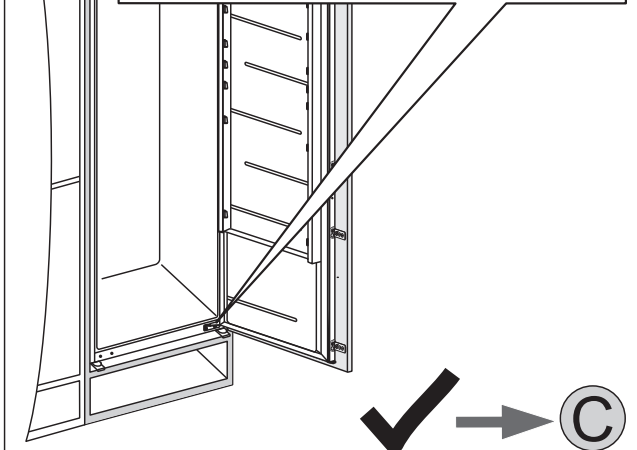
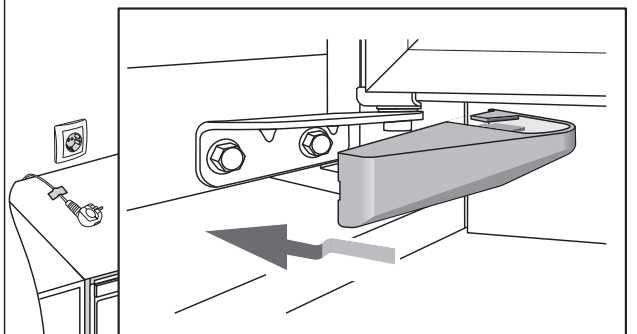
a

L 1x N 1x

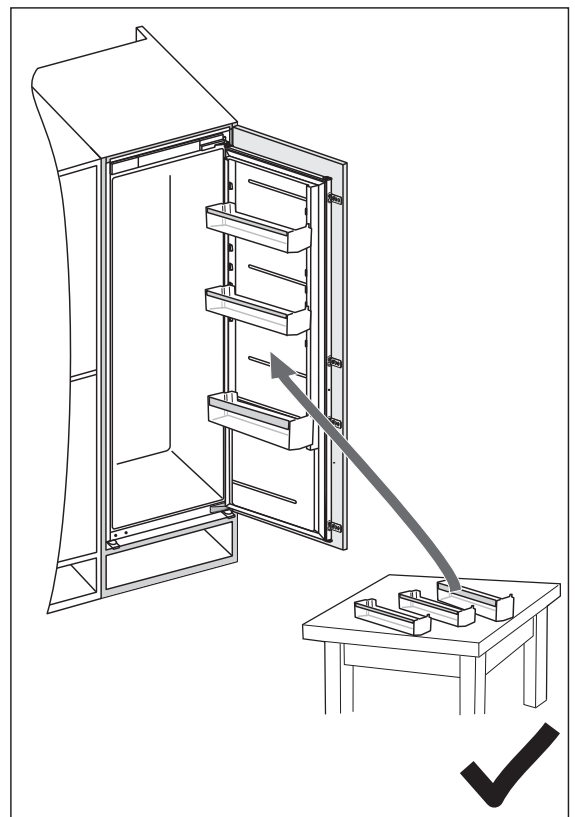
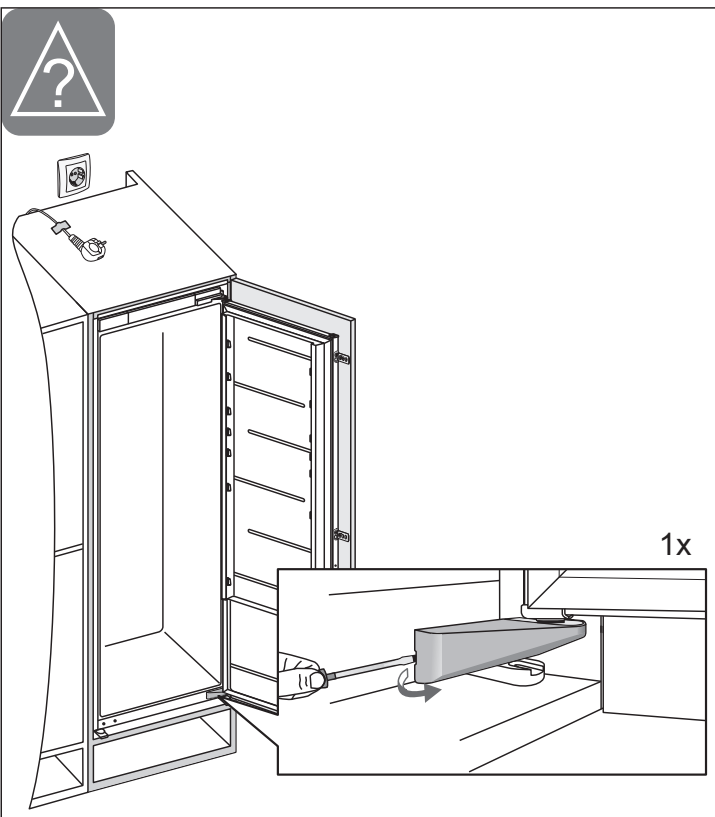
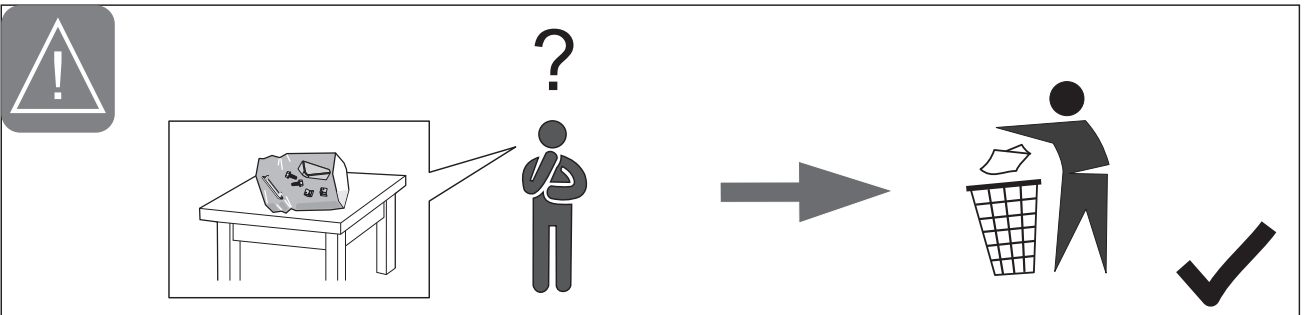
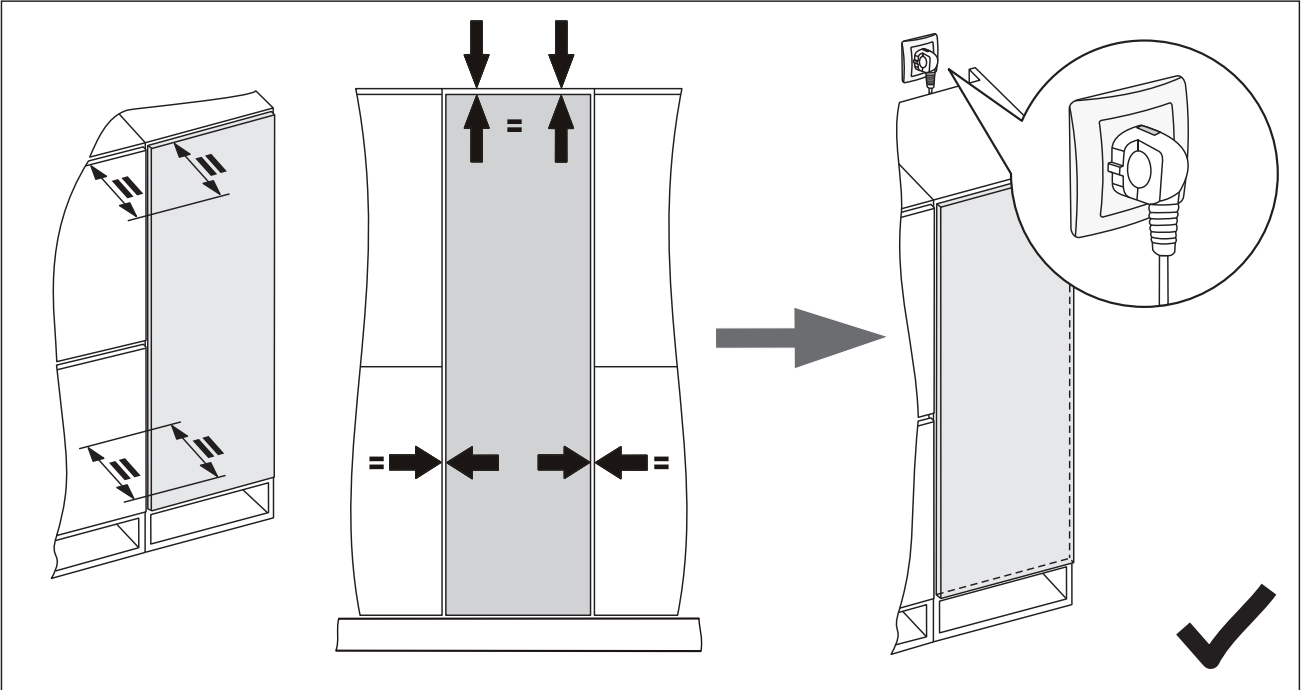


b

M 1x



C









VGRADNJA COOLER BI540  
DRSNI TEČAJ ATA



623951

un (11-19)