



Inbouw vriezer met 7 laden en NoFrost (178 cm)



KS26178CN

Uitvoering

- totale inhoud: 212 liter
- sleepdeur montage
- energielabel: F
- heldere LED verlichting

Vriesgedeelte

- 4-sterren vriezer
- invriesvermogen: 11,5 kg per 24 uur
- NoFrost: nooit meer ontdooien
- FastFreeze
- 7 transparante laden
- 7 glazen plateaus
- 1 vriesvak met klepdeur

Bediening

- elektronische temperatuurregeling
- temperatuurweergave d.m.v. LED

Bijzonderheden

- draairichting van de deur omkeerbaar (links- of rechtsdraaiend)
- akoestisch alarm bij open deur

Toebehoren

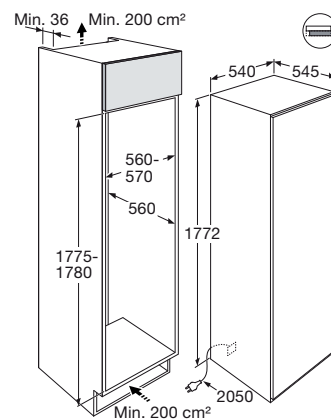
- IceTray

Technische specificaties

- geschikt voor omgevingstemperatuur: SN-T (10-43 °C)
- energieverbruik: 295 kWh/jaar
- geluidsniveau: 39 dB(A)
- aansluitwaarde: 200 W

Accessoires

SBS102 Anti-condenskit voor side-by-side plaatsing koelkast/vriezer



Product Information Sheet

COMMISSION DELEGATED REGULATION (EU) 2019/2016 with regard to energy labelling of refrigerating appliances

Supplier's name or trade mark: Atag

Supplier's address: ATAG Service, Impact 83, 6921 RZ Duiven, NL

Model identifier: KS26178CN

Type of refrigerating appliance:

Low-noise appliance:	No	Design type:	built-in
Wine storage appliance:	No	Other refrigerating appliance:	Yes

General product parameters:

Parameter	Value	Parameter	Value
Overall dimensions (millimetre)	Height	1 772	Total volume (dm ³ or l)
	Width	540	
	Depth	545	
EEL	125	Energy efficiency class	F
Airborne acoustical noise emissions (dB(A) re 1 pW)	39	Airborne acoustical noise emission class	C
Annual energy consumption (kWh/a)	295	Climate class:	extended temperate, temperate, subtropical, tropical
Minimum ambient temperature (°C), for which the refrigerating appliance is suitable	10	Maximum ambient temperature (°C), for which the refrigerating appliance is suitable	43
Winter setting	No		

Compartment Parameters:

Compartment type	Compartment parameters and values			
	Compartment Volume (dm ³ or l)	Recommended temperature setting for optimised food storage (°C) These settings shall not contradict the storage conditions set out in Annex IV, Table 3	Freezing capacity (kg/24h)	Defrosting type (auto-defrost=A, manual defrost=M)
Pantry	No	-	-	-

Wine storage	No	-	-	-	-
Cellar	No	-	-	-	-
Fresh food	No	-	-	-	-
Chill	No	-	-	-	-
0-star or ice-making	No	-	-	-	-
1-star	No	-	-	-	-
2-star	No	-	-	-	-
3-star	No	-	-	-	-
4-star	Yes	212,0	-18	11,5	A
2-star section	No	-	-	-	-
Variable temperature compartment	-	-	-	-	-
For 4-star compartments					
Fast freeze facility	Yes				
Light source parameters:					
Type of light source	LED				
Energy efficiency class	E				
Minimum duration of the guarantee offered by the manufacturer: 24 months					
Additional information:					
Weblink to the manufacturer's website, where the information in point4(a) Annex of Commission Regulation (EU) 2019/2019 is found: https://www.atag.nl					