



Inbouw koelkast met vriesvak (178 cm)

LED

KS23178B

Uitvoering

- energielabel: F
- totale inhoud: 292 l
- sleepdeur montage
- heldere LED binnenverlichting

Koelgedeelte

- inhoud: 262 liter
- automatisch ontdooisysteem
- CoolFlow: voor een optimale temperatuurverdeling
- 5 transparante, verstelbare deurvakken met luxe afwerking, waaronder een afsluitbaar boter- en kaasvak
- 1 flessenhouder
- 5 luxe draagplateaus van veiligheidsglas met RVS afwerking, waarvan 4 in hoogte verstelbaar
- 2 transparante groenteladen

Vriesgedeelte

- inhoud: 30 liter
- 4-sterren vriesvak
- invriesvermogen: 3 kg per 24 uur

Bediening

- elektronische temperatuurregeling
- temperatuurindicatie d.m.v. LED

Bijzonderheden

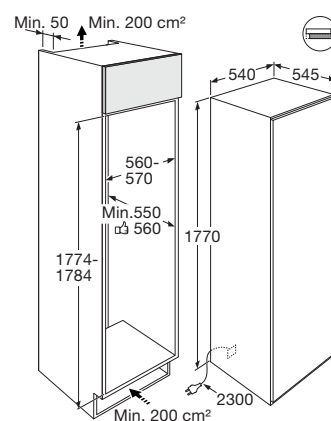
- draairichting van de deur omkeerbaar (links- of rechtsdraaiend)

Toebehoren

- 1 ijsblokjeshouder
- 1 luxe flessenrek

Technische specificaties

- geschikt voor omgevingstemperatuur: SN-T (10-43°C)
- energieverbruik: 217 kWh/jaar
- geluidsniveau: 35 dB(A)
- aansluitwaarde: 130 W



Product Information Sheet

COMMISSION DELEGATED REGULATION (EU) 2019/2016

Supplier's name or trademark: ATAG

Supplier's address: Impact 83, 6921 RZ Duiven, NL

Model identifier: KS23178B

Type of refrigerating appliance:

Low-noise appliance:	No	Design type:	built-in
Wine storage appliance:	No	Other refrigerating appliance:	Yes

General product parameters:

Parameter	Value	Parameter	Value
Overall dimensions (millimetre)	Height	1771	Total volume (dm ³ or l)
	Width	540	
	Depth	545	
EEI	125	Energy efficiency class	F
Airborne acoustical noise emissions (dB(A) re 1 pW)	35	Airborne acoustical noise emission class	B
Annual energy consumption (kWh/a)	217	Climate class:	extended temperate, temperate, subtropical, tropical
Minimum ambient temperature (°C), for which the refrigerating appliance is suitable	10	Maximum ambient temperature (°C), for which the refrigerating appliance is suitable	43
Winter setting	No		

Compartment Parameters:

Compartment type	Compartment parameters and values				
	Compartment volume (dm ³ or l)	Recommended temperature setting for optimised food storage (°C) These settings shall not contradict the storage conditions set out in Annex IV, Table 3	Freezing capacity (kg/24h)	Defrosting type (auto-defrost=A, manual defrost=M)	
Pantry	No	-	-	-	-
Wine storage	No	-	-	-	-
Cellar	No	-	-	-	-
Fresh food	Yes	262	4	-	A

Chill	No	-	-	-	-
0-star or ice-making	No	-	-	-	-
1-star	No	-	-	-	-
2-star	No	-	-	-	-
3-star	No	-	-	-	-
4-star	Yes	30	-18	3	M
2-star section	No	-	-	-	-
Variable temperature compartment	-	-	-	-	-
For 4-star compartments					
Fast freeze facility			No		
Light source parameters:					
Type of light source			Lighting technology used: LED; Non-directional or directional: DLS; Mains or non-mains: NMLS; Connected light source (CLS): No; Colour-tuneable light source: No; Envelope: -; High luminance light source: No; Anti-glare shield: No; Dimmable: No		
Energy efficiency class			G		
Minimum duration of the guarantee offered by the manufacturer: 24 months					
Additional information:					
Weblink to the manufacturer's website, where the information in point4(a) Annex of Commission Regulation (EU) 2019/2019 is found: https://www.atag.nl					