



Inbouw koelvriescombinatie (178 cm)

LED

KS13178D

Uitvoering

- energielabel: F
- totale inhoud: 273 liter
- sleepdeur montage
- heldere LED binnenverlichting

Koelgedeelte

- inhoud: 194 liter
- automatisch ontdooisysteem
- 3 transparante, verstelbare deurvakken met luxe afwerking, waaronder een afsluitbaar boter- en kaasvak
- 1 flessenhouder
- 4 luxe draagplateaus van veiligheidsglas met RVS afwerking, waarvan 3 in hoogte verstelbaar
- 1 transparante groentelade

Vriesgedeelte

- inhoud: 79 liter
- 4-sterren vriesgedeelte
- invriesvermogen 4 kg per 24 uur
- 3 transparante laden

Bediening

- elektronische temperatuurregeling
- temperatuurindicatie d.m.v. LED

Bijzonderheden

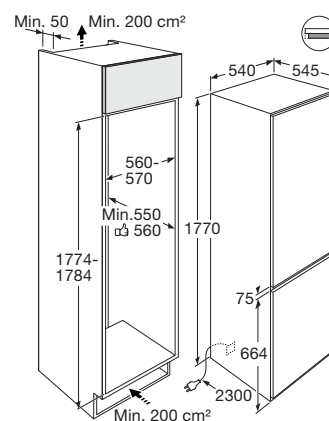
- draairichting van de deur omkeerbaar (links- of rechtsdraaiend)
- optisch alarm bij open deur

Toebehoren

- ijsblokeshouder

Technische specificaties

- geschikt voor omgevingstemperatuur: N-ST (16-38°C)
- energieverbruik: 283 kWh/jaar
- geluidsniveau: 35 dB(A)
- aansluitwaarde: 140 W



Product Information Sheet

COMMISSION DELEGATED REGULATION (EU) 2019/2016

Supplier's name or trademark: ATAG

Supplier's address: Impact 83, 6921 RZ Duiven, NL

Model identifier: KS13178D

Type of refrigerating appliance:

Low-noise appliance:	No	Design type:	built-in
Wine storage appliance:	No	Other refrigerating appliance:	Yes

General product parameters:

Parameter	Value	Parameter	Value
Overall dimensions (millimetre)	Height	1771	Total volume (dm ³ or l)
	Width	540	
	Depth	545	
EEI	125	Energy efficiency class	F
Airborne acoustical noise emissions (dB(A) re 1 pW)	35	Airborne acoustical noise emission class	B
Annual energy consumption (kWh/a)	283	Climate class:	temperate, subtropical
Minimum ambient temperature (°C), for which the refrigerating appliance is suitable	16	Maximum ambient temperature (°C), for which the refrigerating appliance is suitable	38
Winter setting	No		

Compartment Parameters:

Compartment type	Compartment parameters and values				
	Compartment volume (dm ³ or l)	Recommended temperature setting for optimised food storage (°C) These settings shall not contradict the storage conditions set out in Annex IV, Table 3	Freezing capacity (kg/24h)	Defrosting type (auto-defrost=A, manual defrost=M)	
Pantry	No	-	-	-	-
Wine storage	No	-	-	-	-
Cellar	No	-	-	-	-
Fresh food	Yes	194	4	-	A
Chill	No	-	-	-	-
0-star or ice-making	No	-	-	-	-

1-star	No	-	-	-	-
2-star	No	-	-	-	-
3-star	No	-	-	-	-
4-star	Yes	79	-18	4	M
2-star section	No	-	-	-	-
Variable temperature compartment	-	-	-	-	-
For 4-star compartments					
Fast freeze facility			No		
Light source parameters:					
Type of light source			Lighting technology used: LED; Non-directional or directional: DLS; Mains or non-mains: NMLS; Connected light source (CLS): No; Colour-tuneable light source: No; Envelope: -; High luminance light source: No; Anti-glare shield: No; Dimmable: No		
Energy efficiency class			G		
Minimum duration of the guarantee offered by the manufacturer: 24 months					
Additional information:					
Weblink to the manufacturer's website, where the information in point4(a) Annex of Commission Regulation (EU) 2019/2019 is found: https://www.atag.nl					