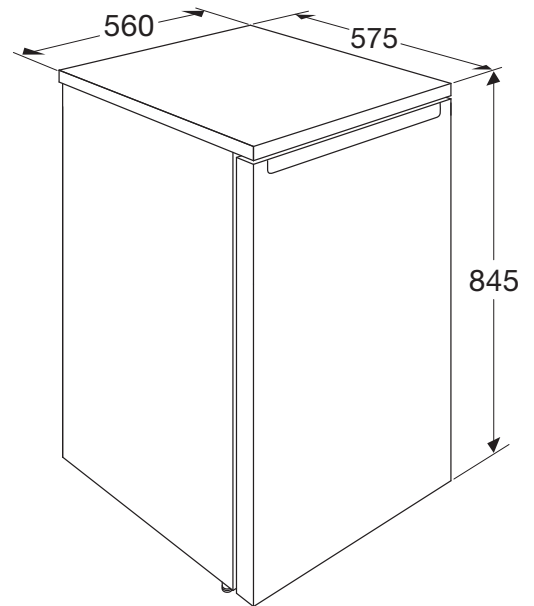


TAFELMODEL KOELKAST (56 CM)

**Specificaties**

- totale inhoud koelgedeelte 133 liter
- automatisch ontdooien van koelgedeelte
- deur met verwisselbare draairichting
- heldere LED verlichting in koelgedeelte
- 3 plateaus van veiligheidsglas, waarvan 2 in hoogte verstelbaar
- 1 transparante groentelade

Technische specificaties

- | | |
|-----------------------|--------------------|
| • buitenmaten (hxbxd) | 845 x 560 x 575 mm |
| • aansluitwaarde | 55 W |
| • klimaatklasse | SN-T |
| • verbruik | 72 kWh/jaar |
| • energieklassen | D |
| • geluidsniveau | 39 dB(A) |

Product Information Sheet

COMMISSION DELEGATED REGULATION (EU) 2019/2016 with regard to energy labelling of refrigerating appliances

Supplier's name or trade mark: ETNA

Supplier's address: Etna Service, Impact 83, 6921RZ Duiven, NL

Model identifier: KKV856WIT

Type of refrigerating appliance:

Low-noise appliance:	No	Design type:	freestanding
Wine storage appliance:	No	Other refrigerating appliance:	Yes

General product parameters:

Parameter	Value	Parameter	Value
Overall dimensions (millimetre)	Height	845	Total volume (dm ³ or l)
	Width	560	
	Depth	575	
EEL	80	Energy efficiency class	D
Airborne acoustical noise emissions (dB(A) re 1 pW)	39	Airborne acoustical noise emission class	C
Annual energy consumption (kWh/a)	72	Climate class:	extended temperate, temperate, subtropical, tropical
Minimum ambient temperature (°C), for which the refrigerating appliance is suitable	10	Maximum ambient temperature (°C), for which the refrigerating appliance is suitable	43
Winter setting	No		

Compartment Parameters:

Compartment type	Compartment parameters and values			
	Compartment Volume (dm ³ or l)	Recommended temperature setting for optimised food storage (°C) These settings shall not contradict the storage conditions set out in Annex IV, Table 3	Freezing capacity (kg/24h)	Defrosting type (auto-defrost=A, manual defrost=M)

Pantry	No	-	-	-	-
Wine storage	No	-	-	-	-
Cellar	No	-	-	-	-
Fresh food	Yes	133,0	4	-	A
Chill	No	-	-	-	-
0-star or ice-making	No	-	-	-	-
1-star	No	-	-	-	-
2-star	No	-	-	-	-
3-star	No	-	-	-	-
4-star	No	-	-	-	-
2-star section	No	-	-	-	-
Variable temperature compartment	-	-	-	-	-
Light source parameters:					
Type of light source			LED		
Energy efficiency class			-		
Minimum duration of the guarantee offered by the manufacturer: 24 months					
Additional information:					
Weblink to the manufacturer's website, where the information in point4(a) Annex of Commission Regulation (EU) 2019/2019 is found: https://etna.nl/					