

A- Changing The Door Swing Direction to Right Hand

1- Unscrew the two screws fixing the top hinge (Fig-1) and bottom hinge. (Fig-2)
Remove the door. (Fig-1)



Figure 1



Figure 2

2- Remove the top hinge screw caps (big) on the left side (Fig-3) and insert them to the right side. (Fig-4)

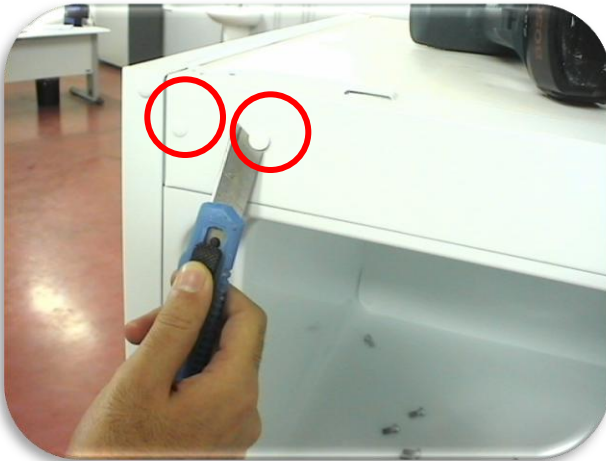


Figure 3



Figure 4

3- Remove the bottom hinge screw caps (big) on the left side and insert them to the right side. (Fig-5)



Figure 5

4- Assemble the top hinge to the bottom of the door (Fig-6) and assemble the door and than assemble the bottom hinge to the top of the door. (Fig-7)



Figure 6



Figure 7

A- Changing The Door Swing Direction to Right Hand

1- Unscrew the two screws fixing the top hinge (Fig-1) and remove the door. (Fig-2)



Figure 1



Figure 2

2- Remove the bottom hinge pin (Fig-3) and insert it to the left side foot. (Fig-4)



Figure 3



Figure 4

3- Remove the top hinge screw caps (big) on the left side (Fig-5) and insert them to the right side. (Fig-6) (You can find the new caps in the user manual bag)



Figure 5



Figure 6

4- Unscrew the pin of the hinge from Hole 1, rotate the top hinge by 180° and screw the pin to Hole 2. (Fig-7)

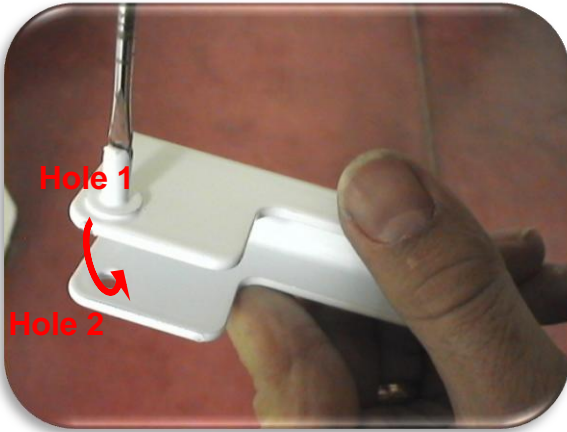


Figure 7

5- Assemble the door and screw the top hinge to the left side. (Fig-8)



Figure 8

B- Changing The Freezer Door Swing Direction

1- Unscrew the screw fixing the freezer door hinge (Fig-1) and remove the freezer door (Fig-2)



Figure 1



Figure 2

2- Unscrew the screw fixing the freezer door holder and remove it. (Fig-3)



Figure 3

3- Screw the freezer door holder to the right side. (Fig-4)



Figure 4

4- Assemble the freezer door and fix the freezer door hinge by tightening the screw. (Fig-5)



Figure 5

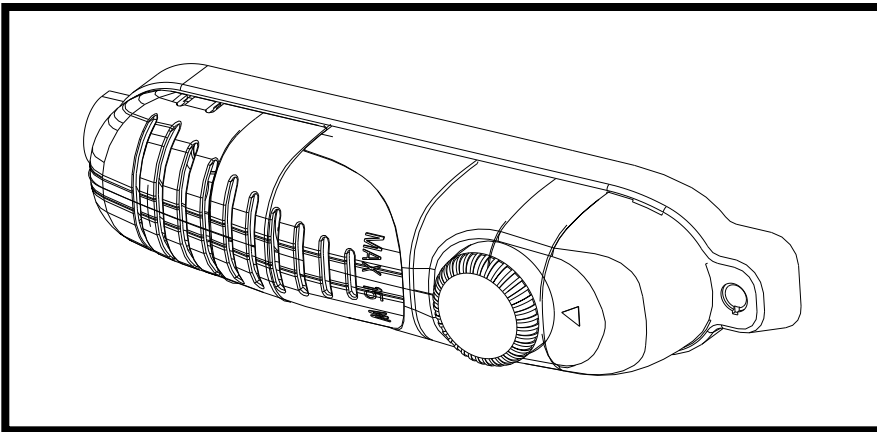


B - Changing The Thermostat :

- 1) Remove the lamp cover and unscrew the fixing screw.
- 2) Remove the screw cap and unscrew the fixing screw.
- 3) Remove the thermostat box by pulling it and disconnecting the wire connector.
- 4) Remove the thermostat knob by pulling forward. Loosen the nut fixing the thermostat.
- 5) Pull out the thermostat bulb from the housing.
- 6) Replace the thermostat with a new one and assemble the thermostat box following the steps backwards.

C - Thermostat Knob :

- 1) This knob is used to control the temperature of the freezer and refrigerator parts automatically. It can be set to any value between “0” and “5” positions.
- 2) “ 0 ” position indicates that the thermostat is “off”. The refrigerator is “off ” on this setting.
- 3) By turning the knob between “1” and “5”, you can increase or decrease the cooling degree.
- 4) The refrigerator is designed to get optimum performance when the thermostat knob is set between position “2” to “4”.





INB. KOELKAST
REFRIGERANT CYCLE DIAGRAM

**CUSTOMER
SUPPORT**

