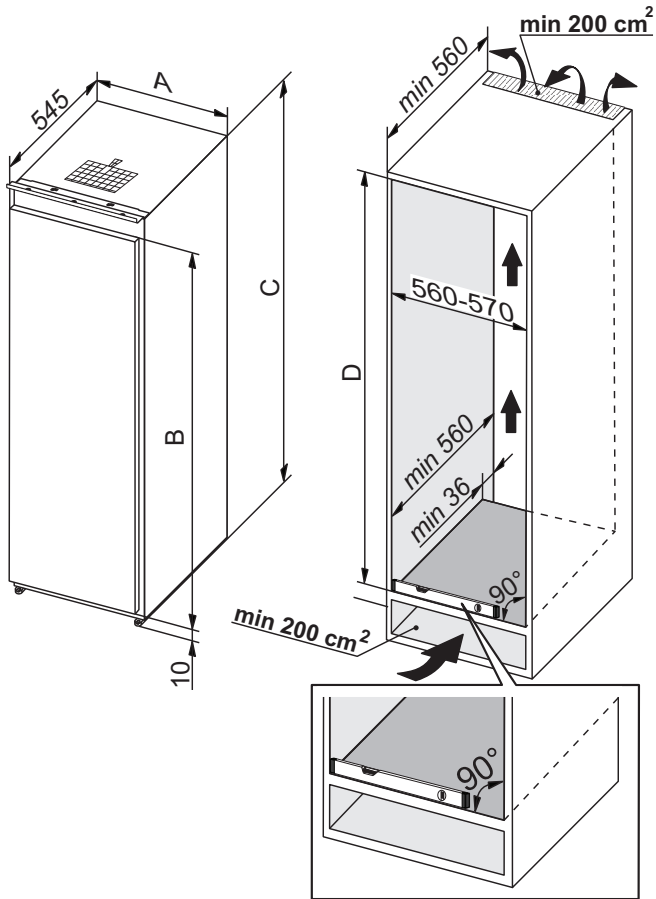
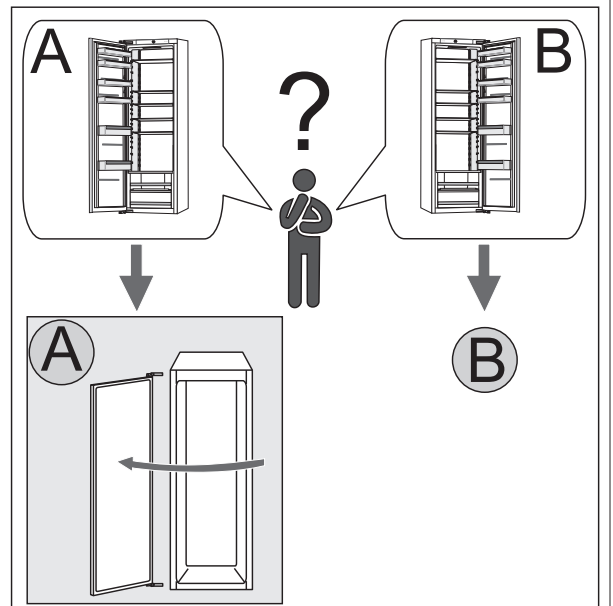
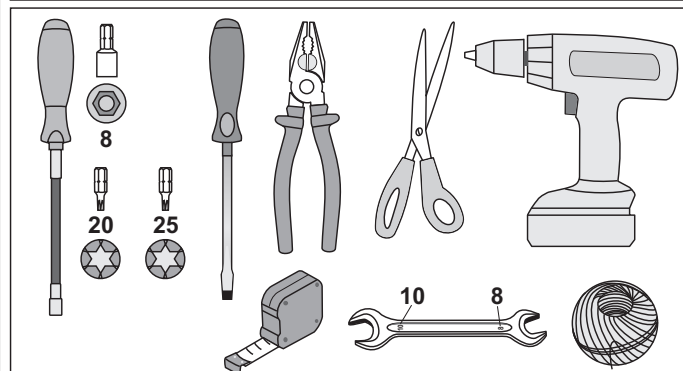
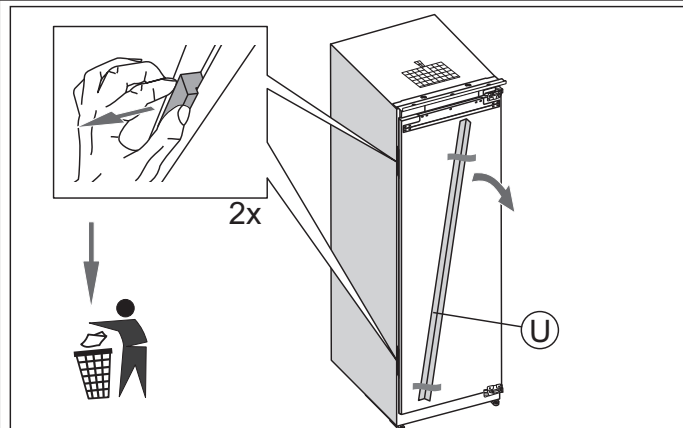




	A (mm)	B (mm)	C (mm)	D (mm)
*	540, 555	1744	1772	1775-1780
	540, 555	1369	1397	1400-1405
	540, 555	1197	1224	1225-1231
	540, 555	997	1024	1025-1031
	540, 555	847	875	878- 883

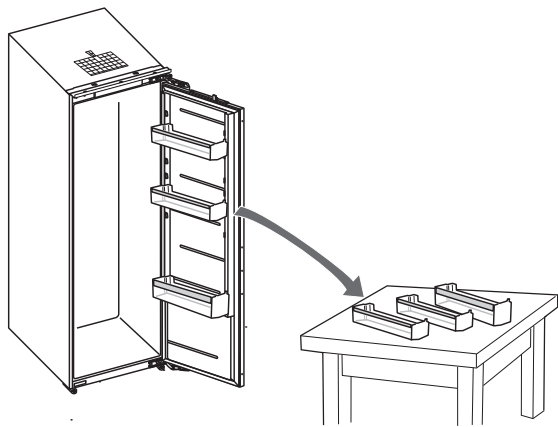


- A: 5x (Screws)
- B: 15x, \*19x (Screws)
- C: 4x, \*6x (Washers)
- D: 1x (Bracket)
- E: 1x (Bracket)
- F: 2x (Bracket)
- G: 2x (Bracket)
- H: 4x, \*6x (Bracket)
- I: 4x, \*6x (Bracket)
- J: 1x (Bracket)
- K: 1x (Bracket)
- L: 1x (Bracket)
- M: 1x (Bracket)
- N: 1x (Bracket)
- O: 1x (Bracket)
- P: 1x (Bracket)
- Q: 3x (Bracket)
- R: 1x (Bracket)
- S: 2x (Bracket)
- T: 1x (Bracket)
- U: 1x (Bracket)
- V1: 2x (Bracket)
- V2: 2x (Bracket)



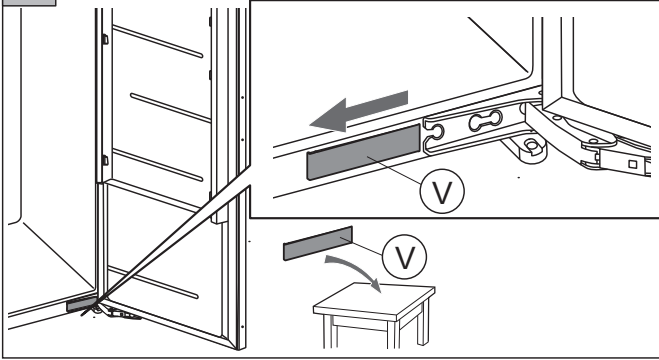
A

1

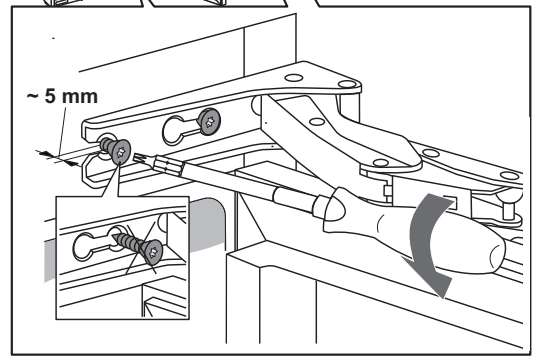
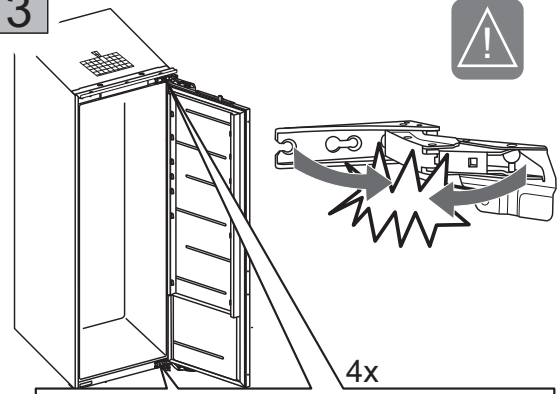


2

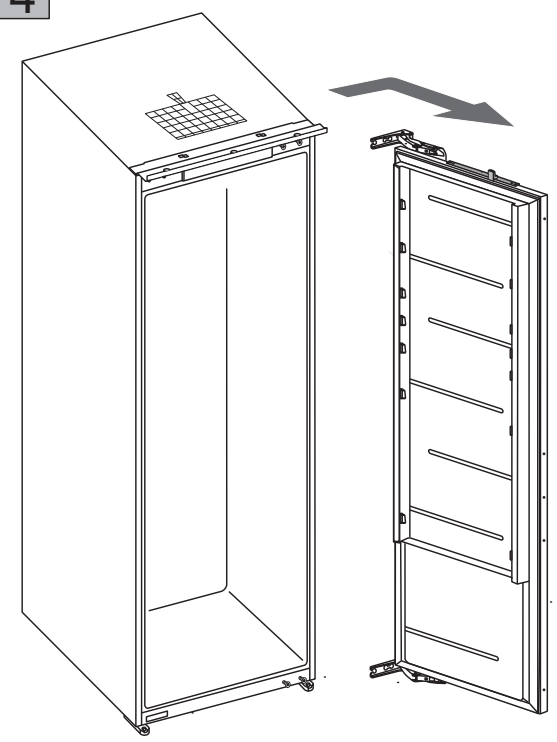
1x

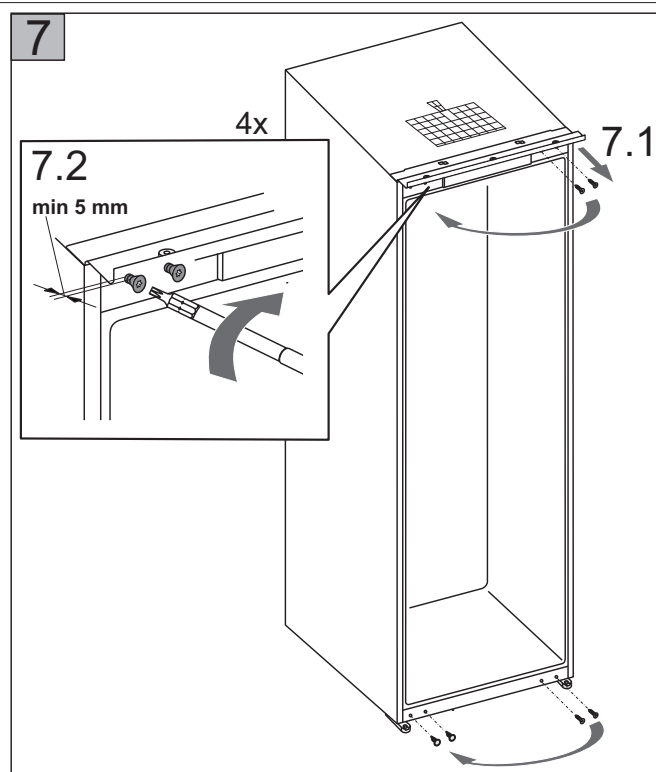
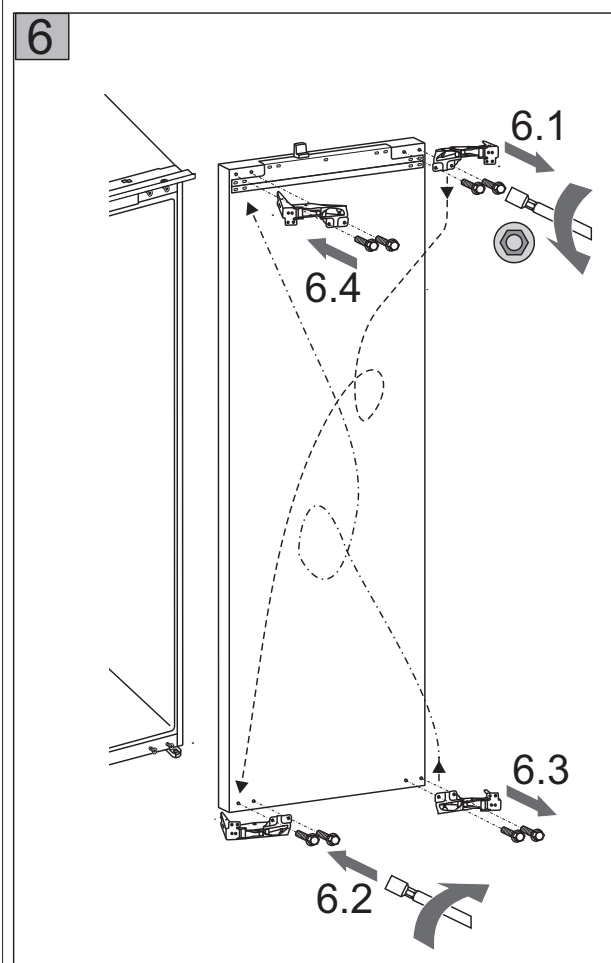
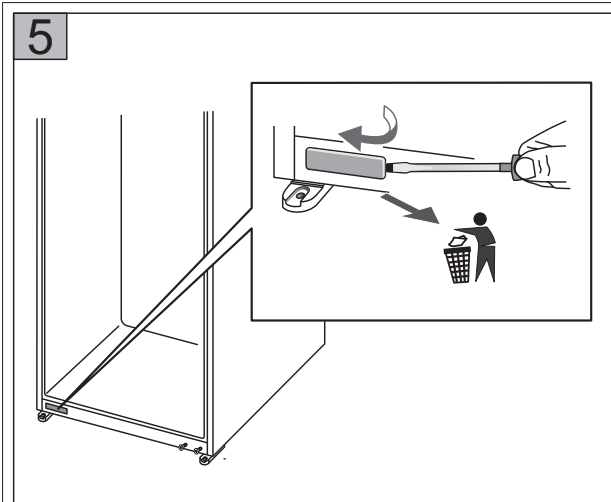


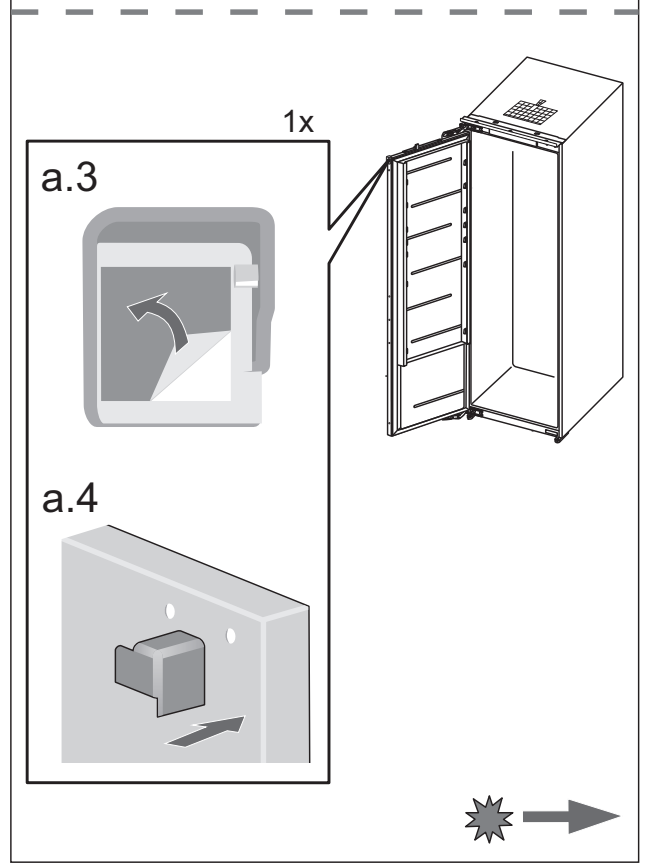
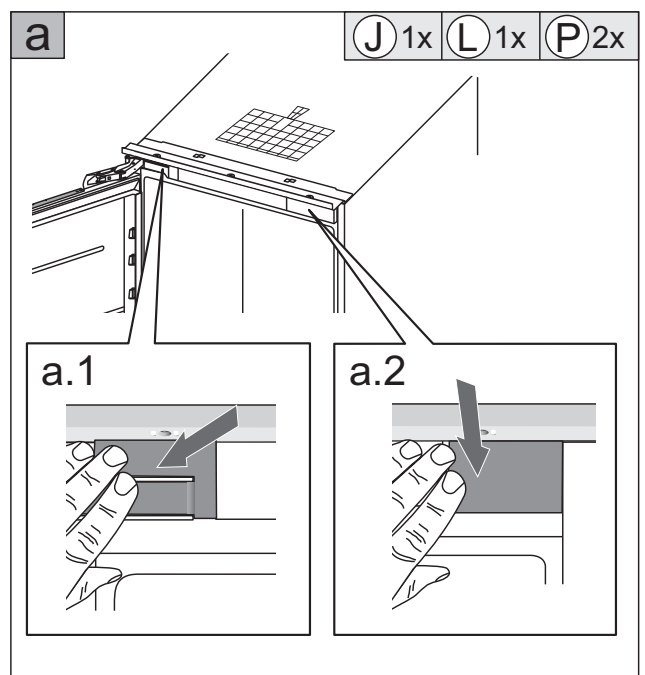
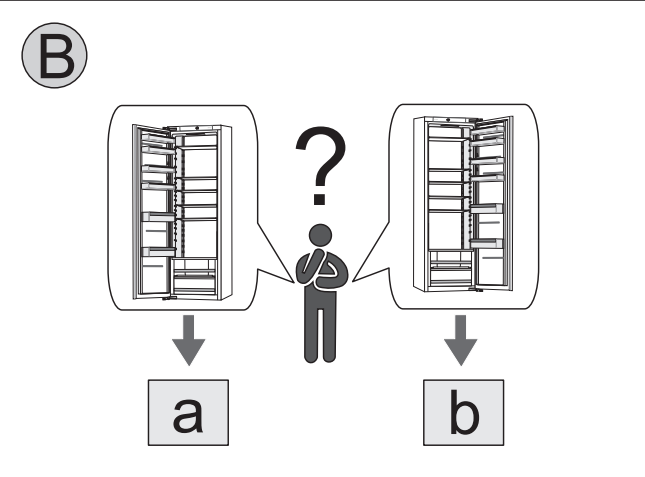
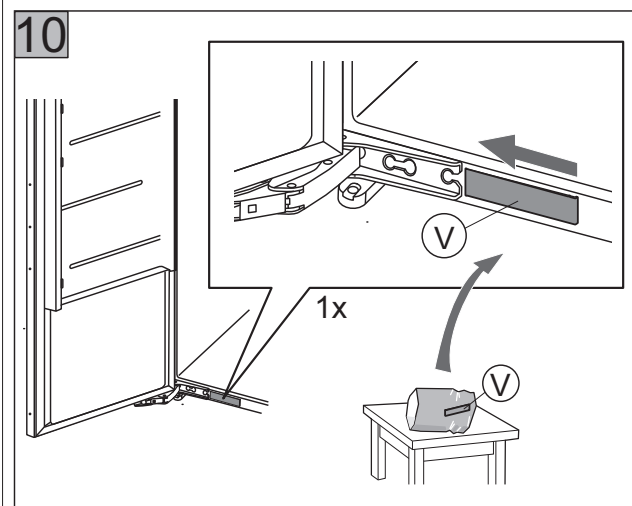
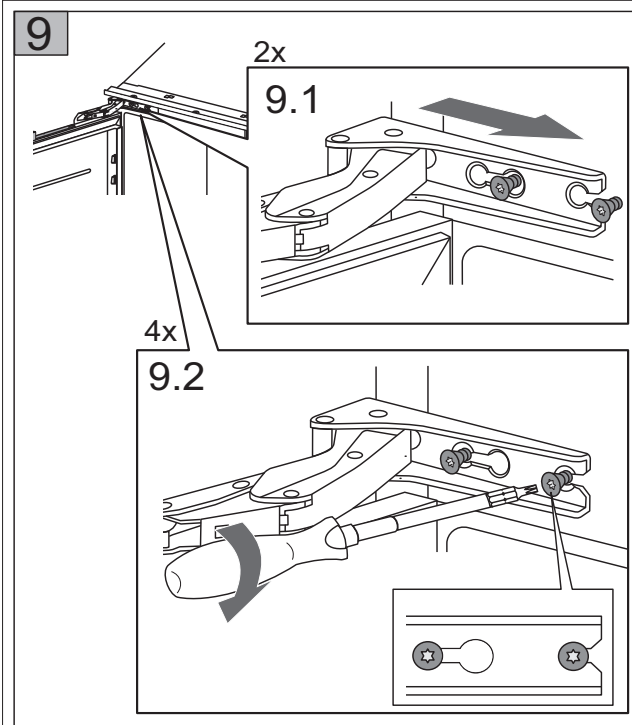
3

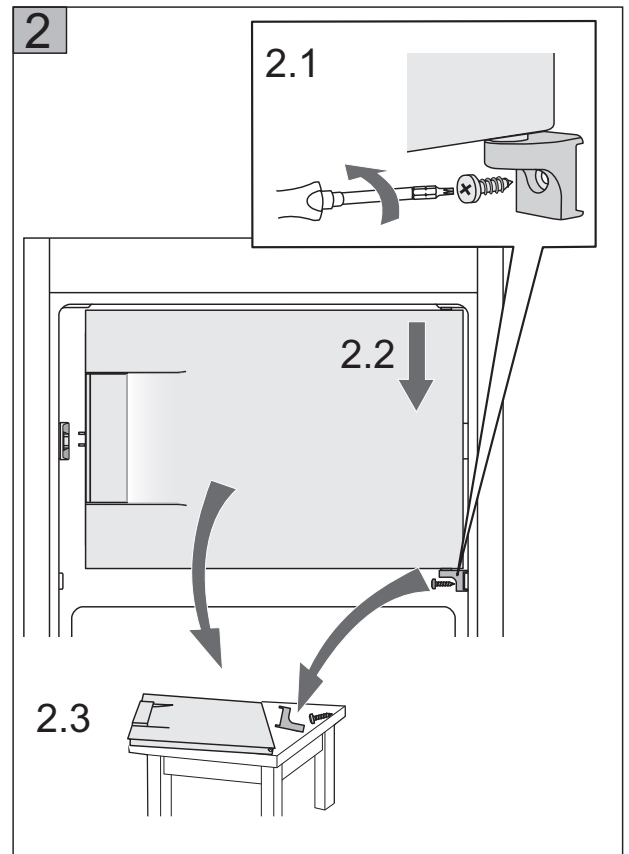
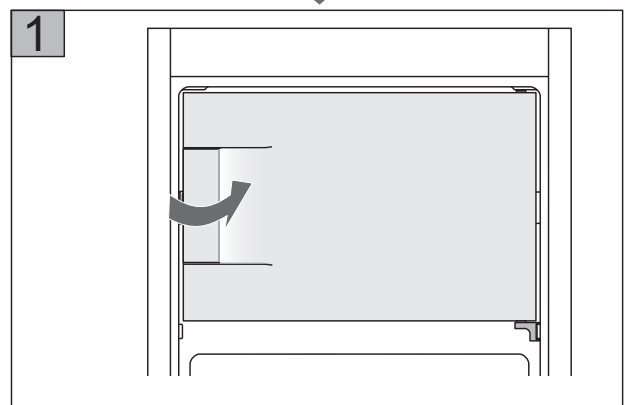
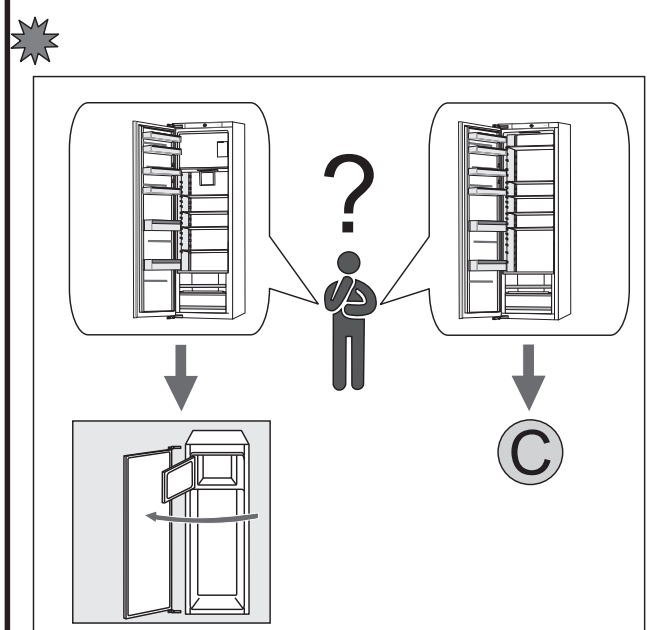
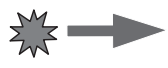
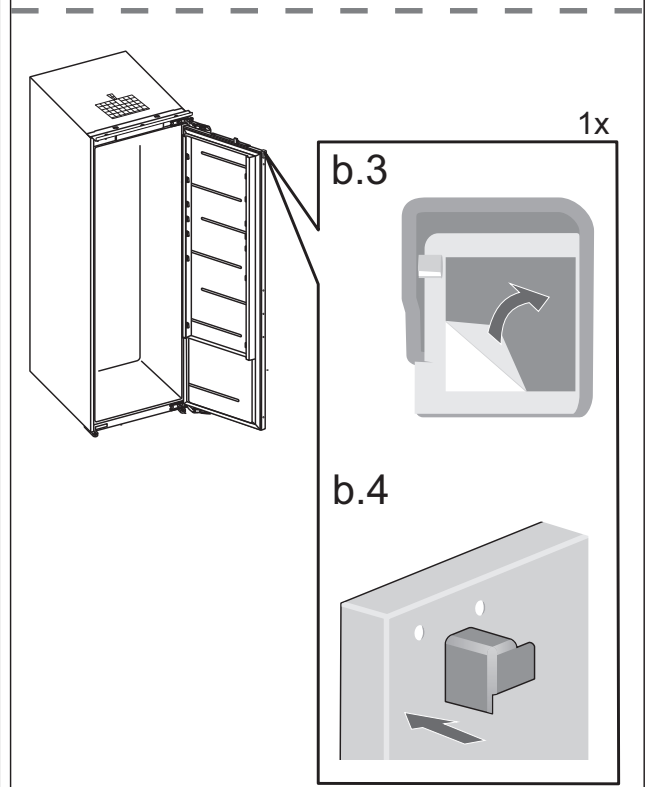
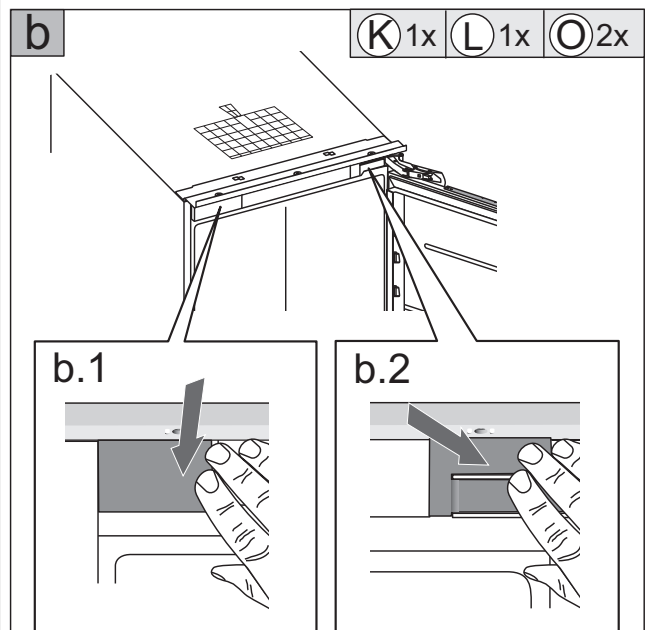


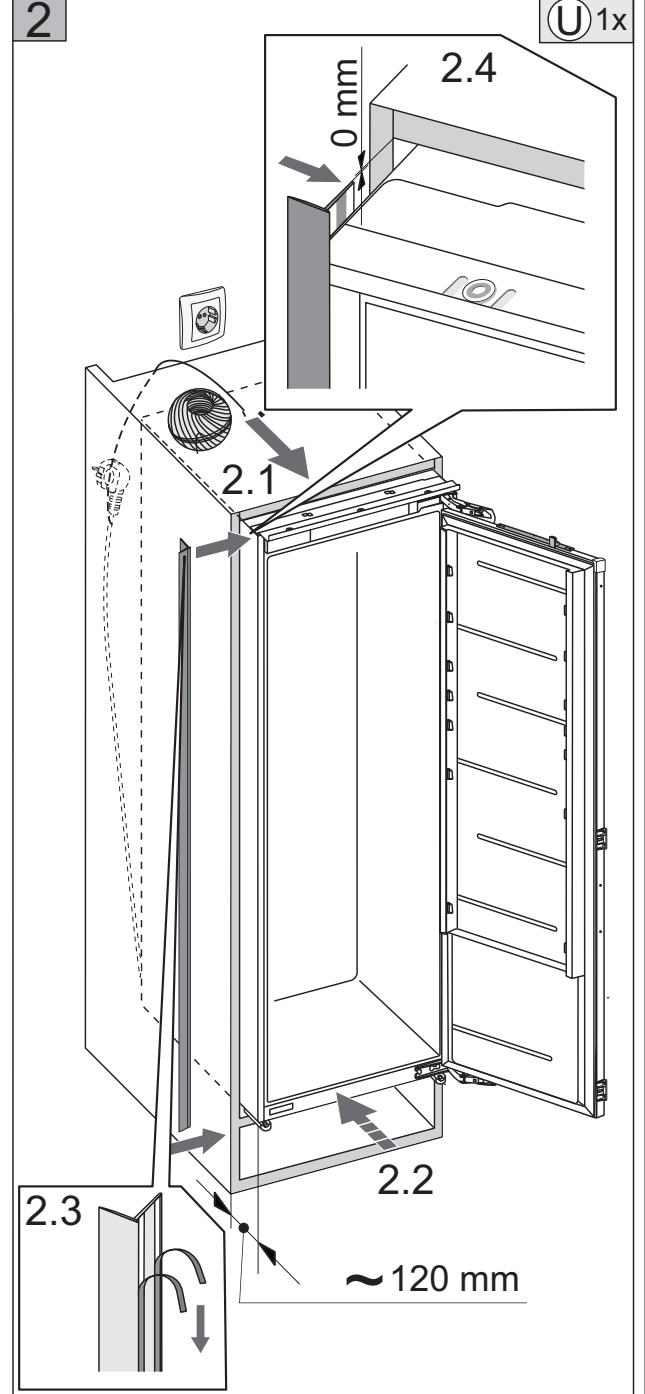
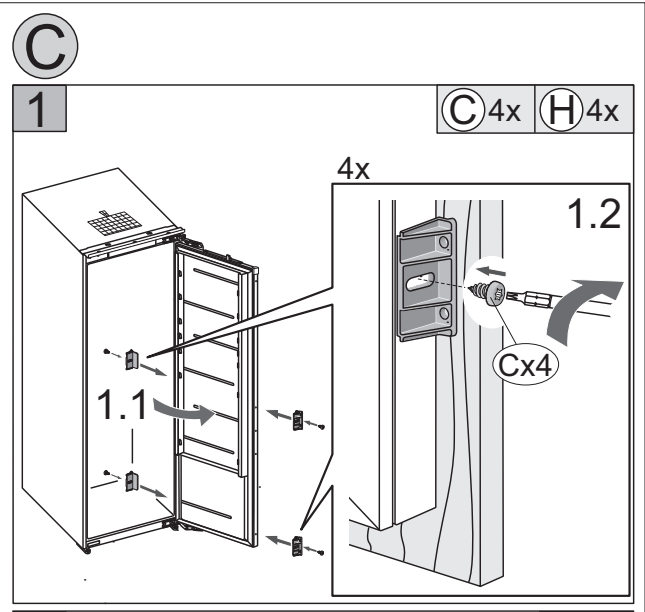
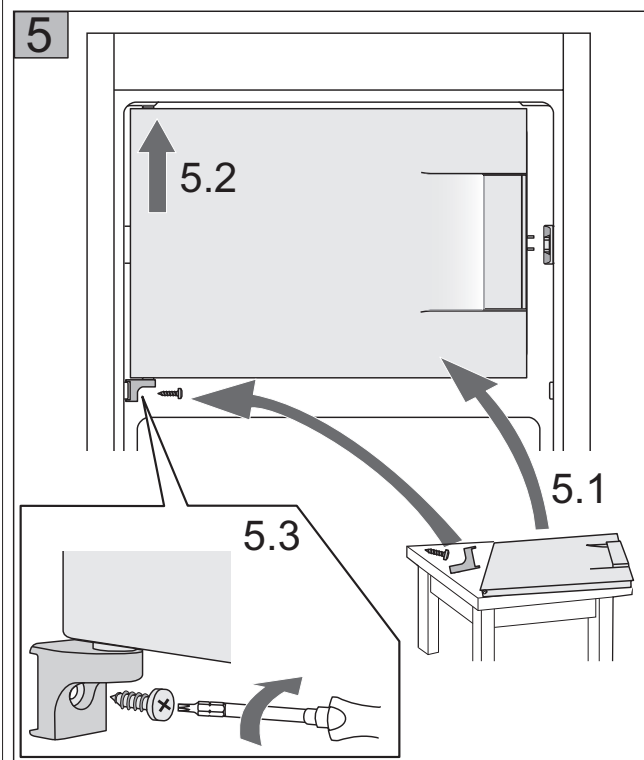
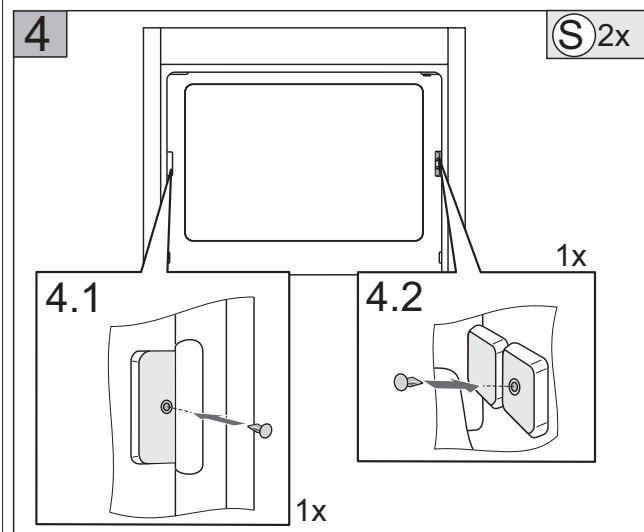
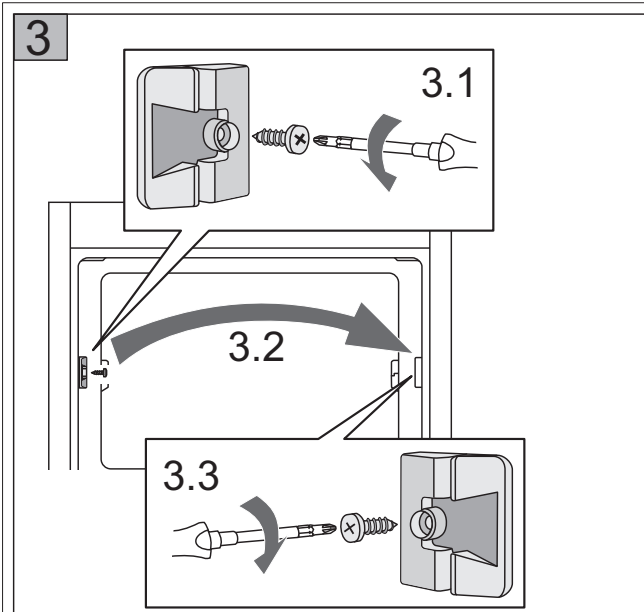
4







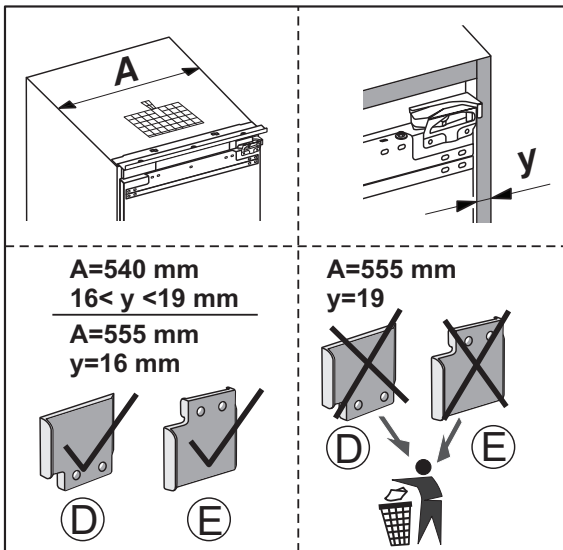




3

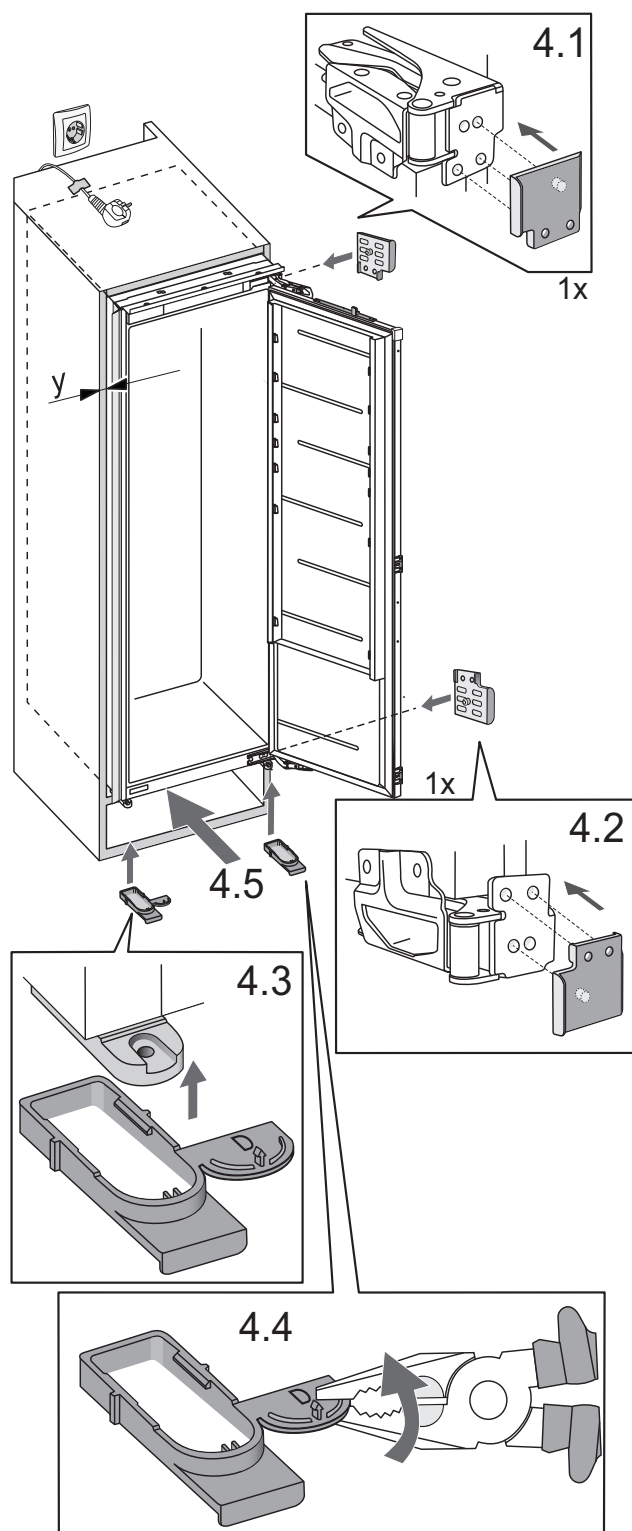


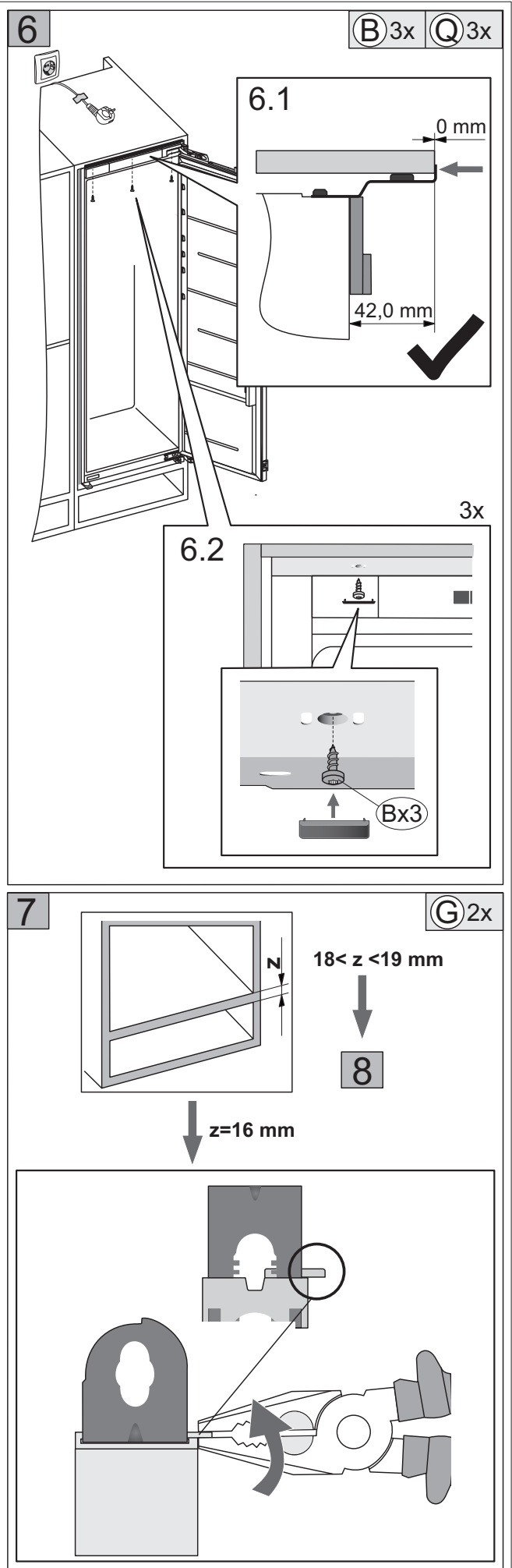
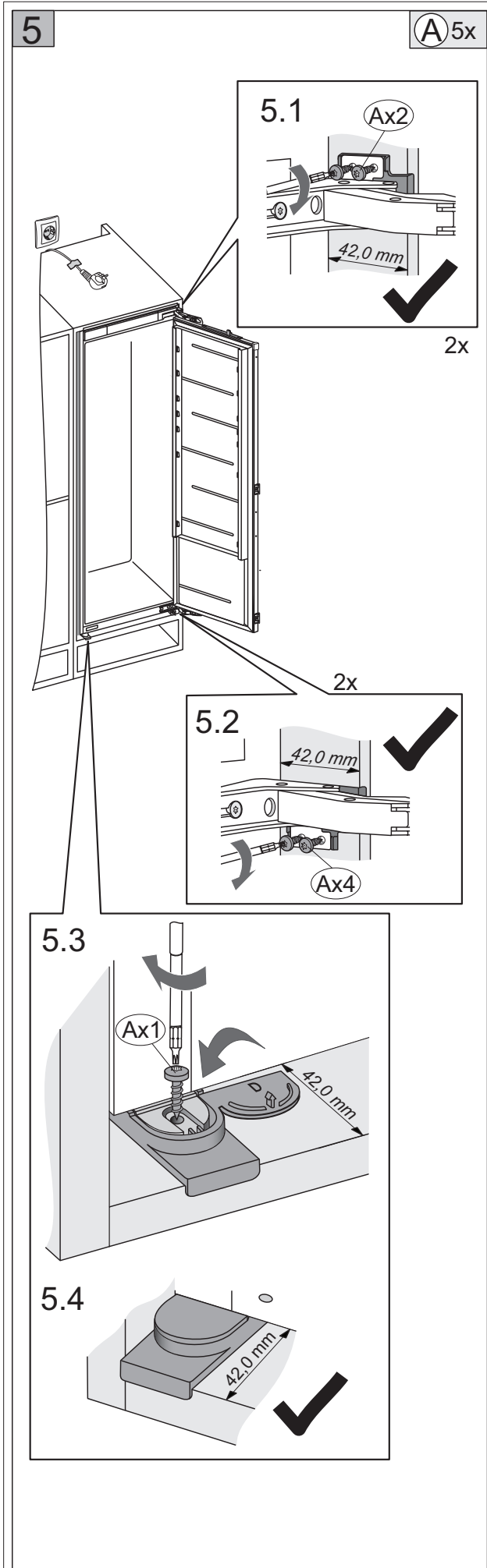
(D) 1x (E) 1x (F) 2x



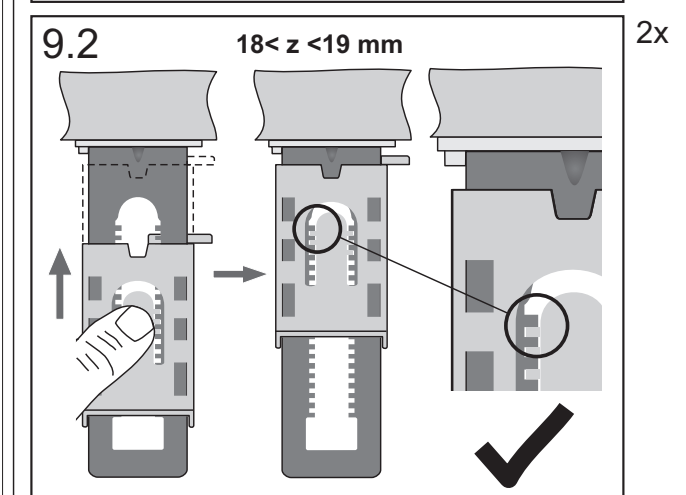
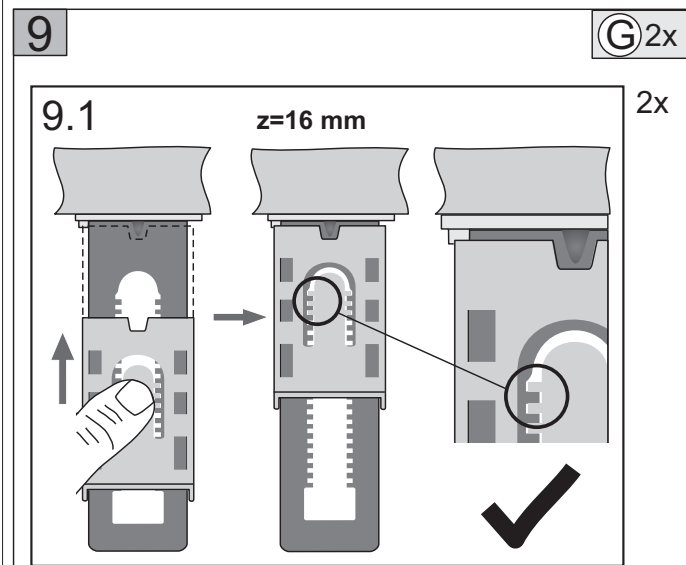
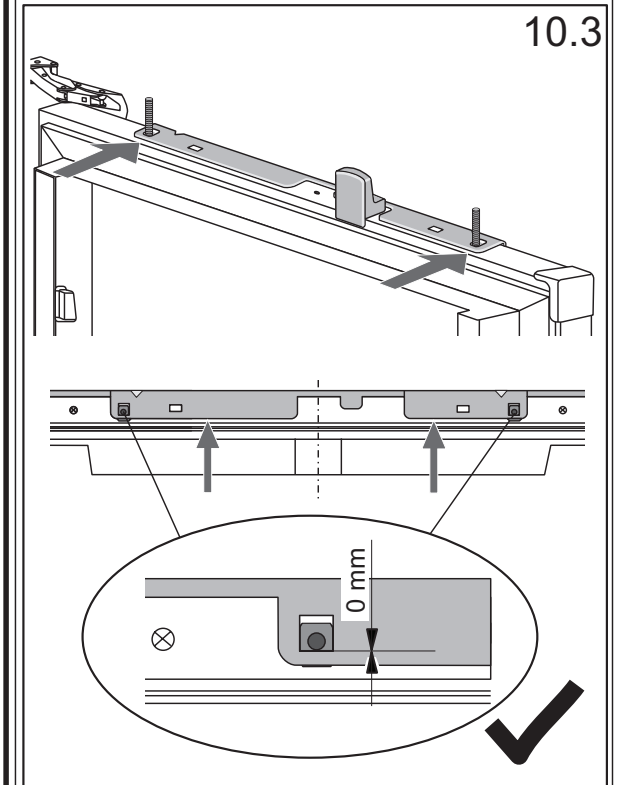
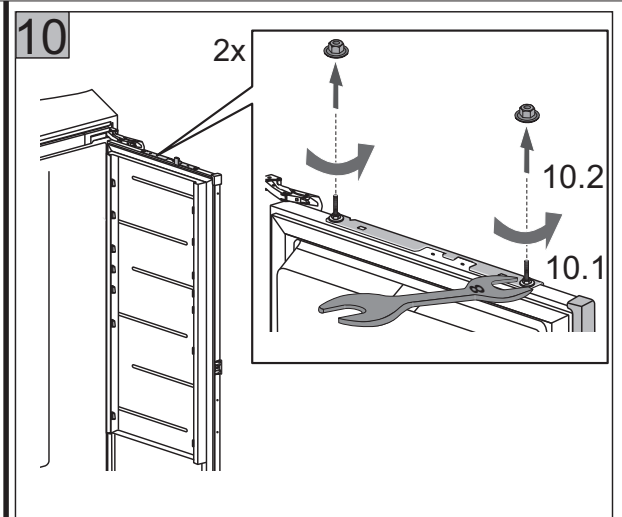
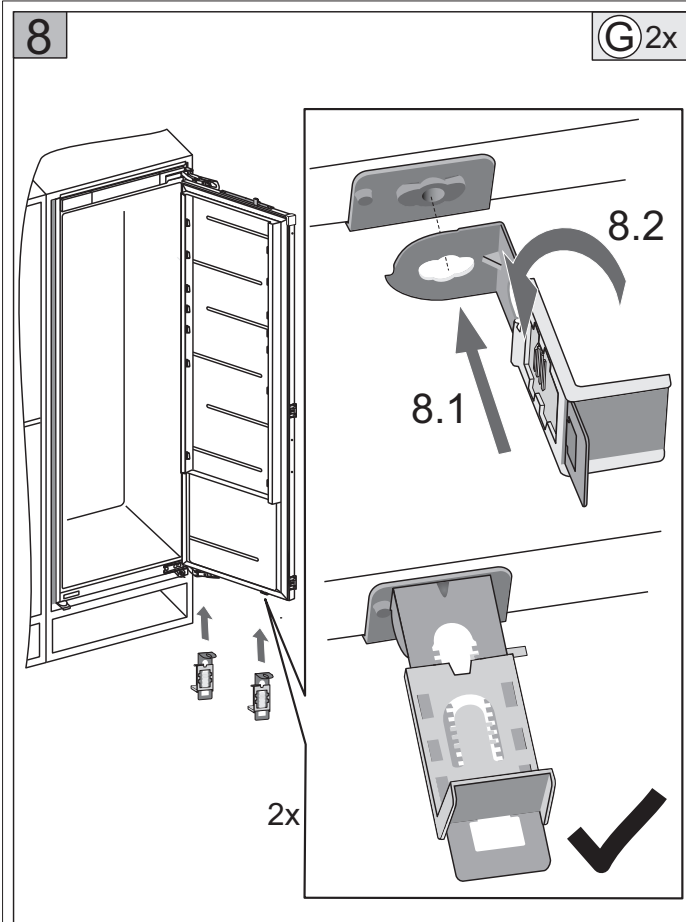
4

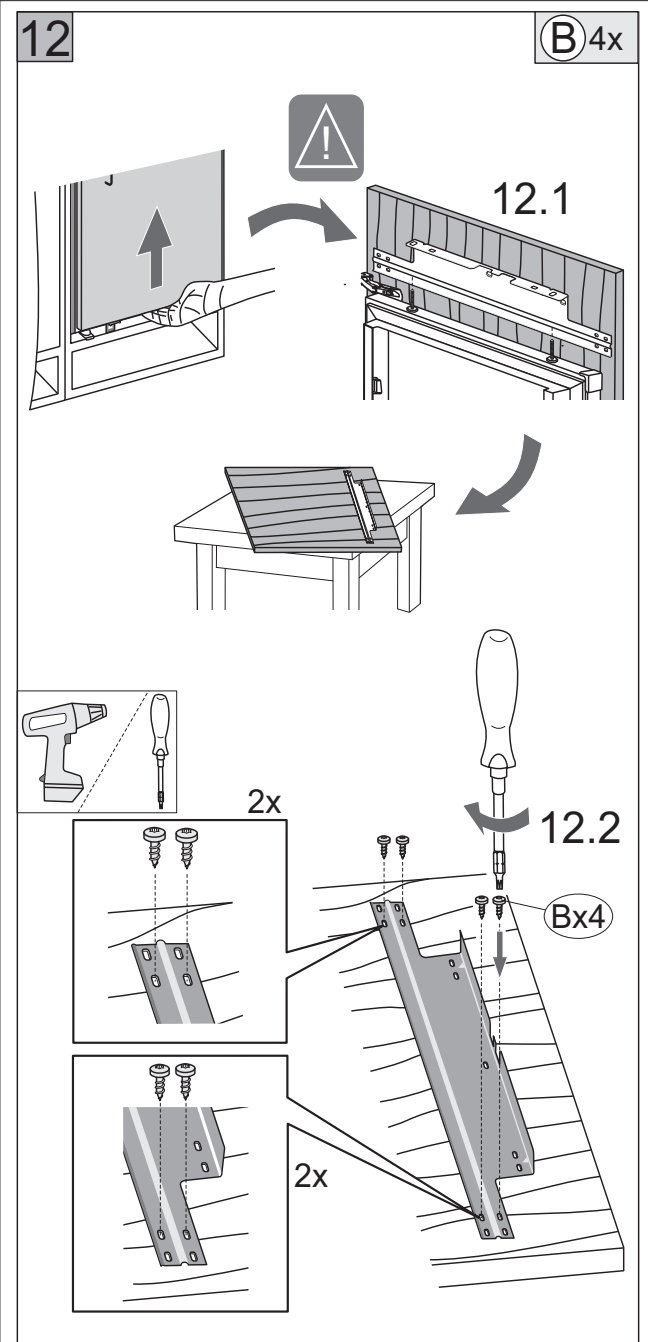
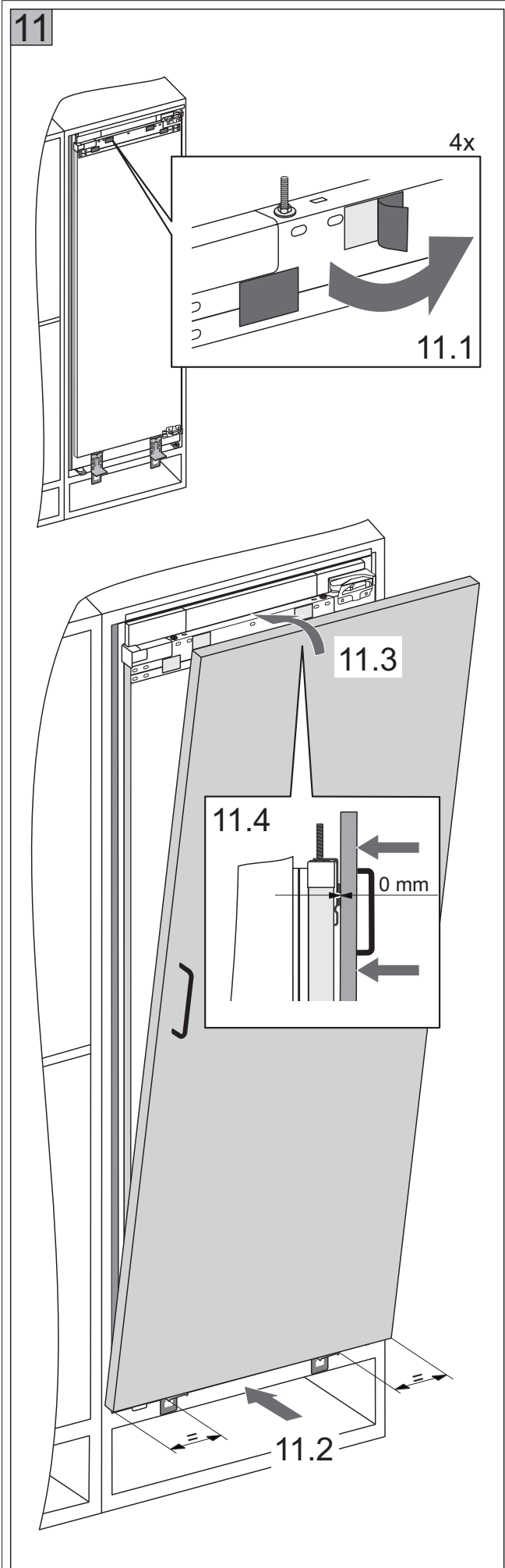
(D) 1x (E) 1x (F) 2x





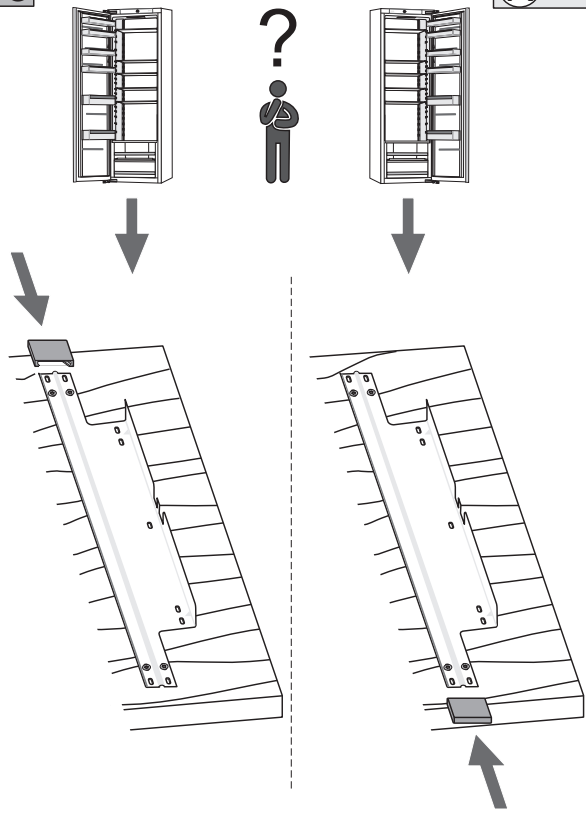






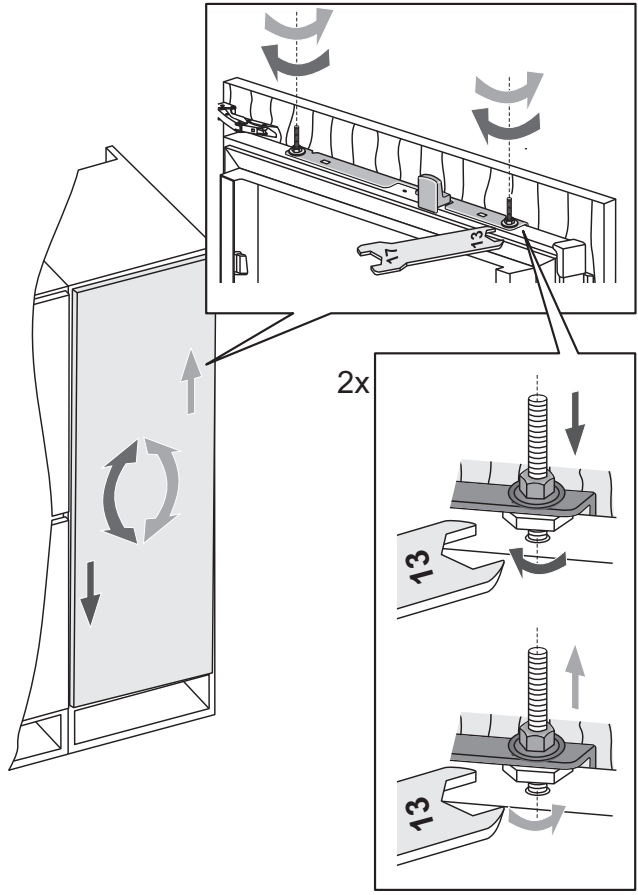
13

R 1x

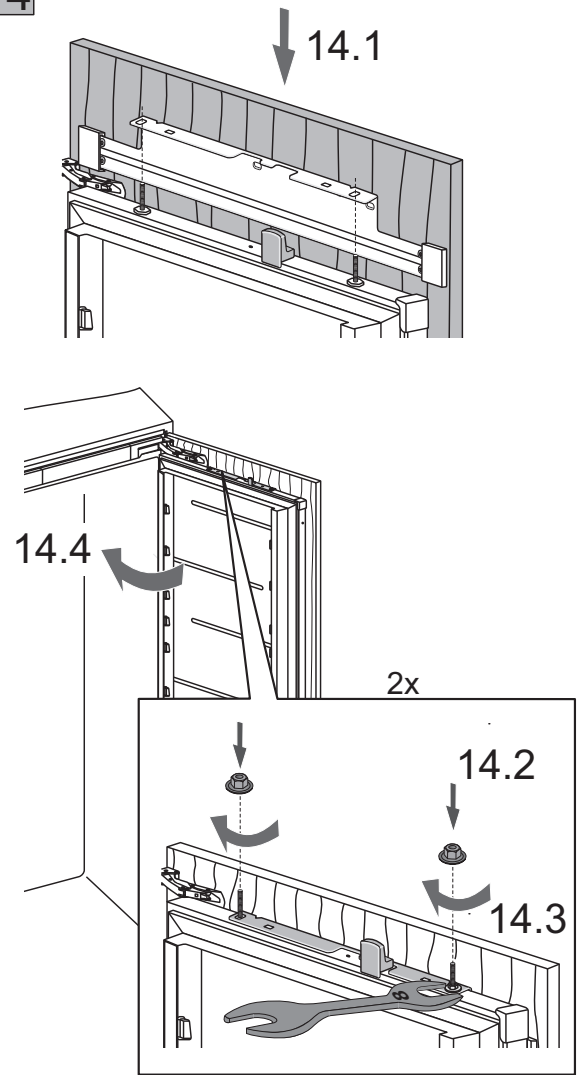


15

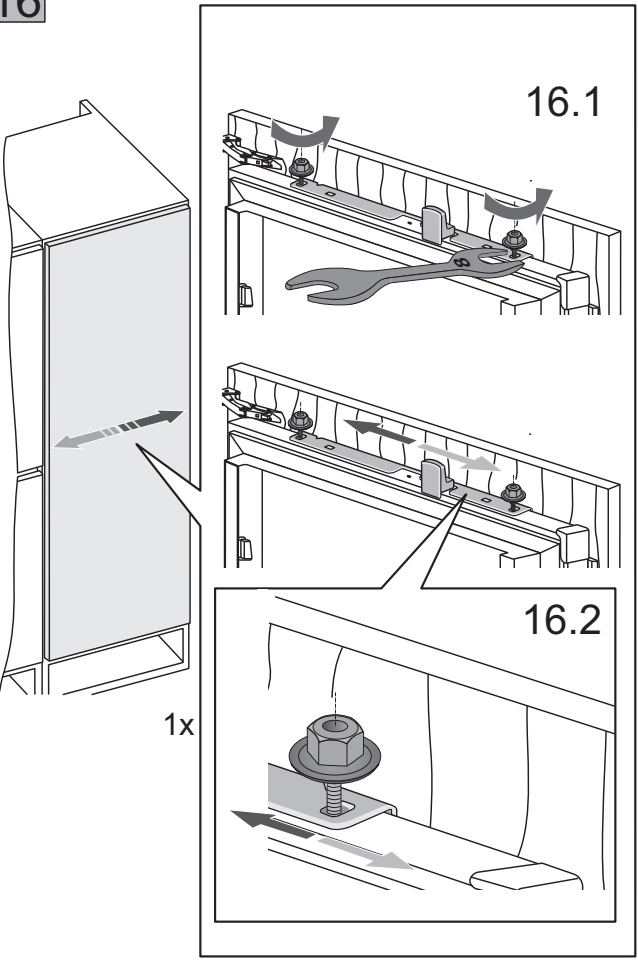
Q 1x

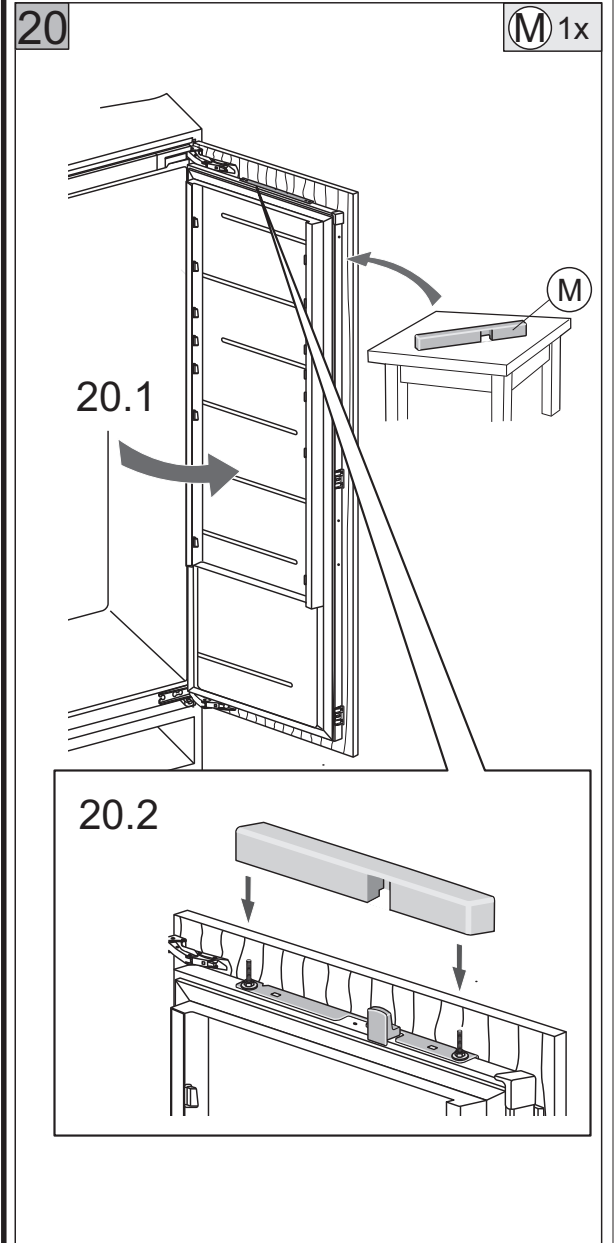
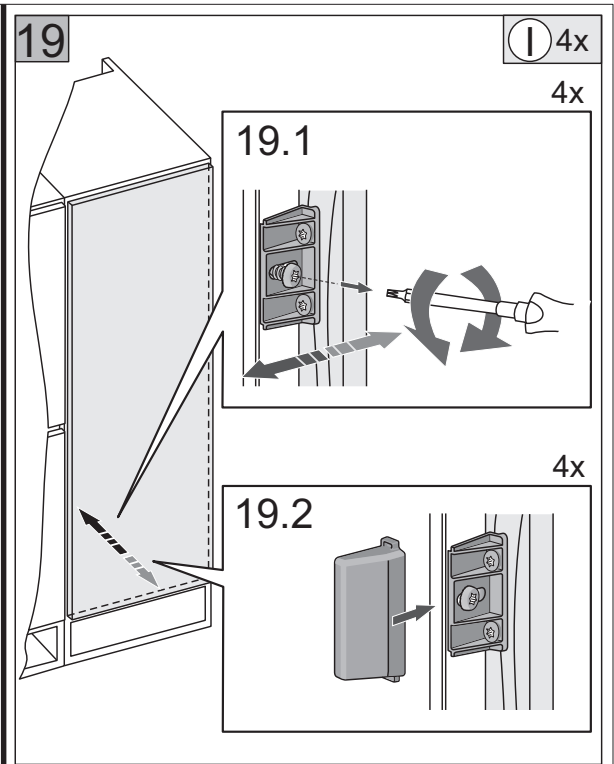
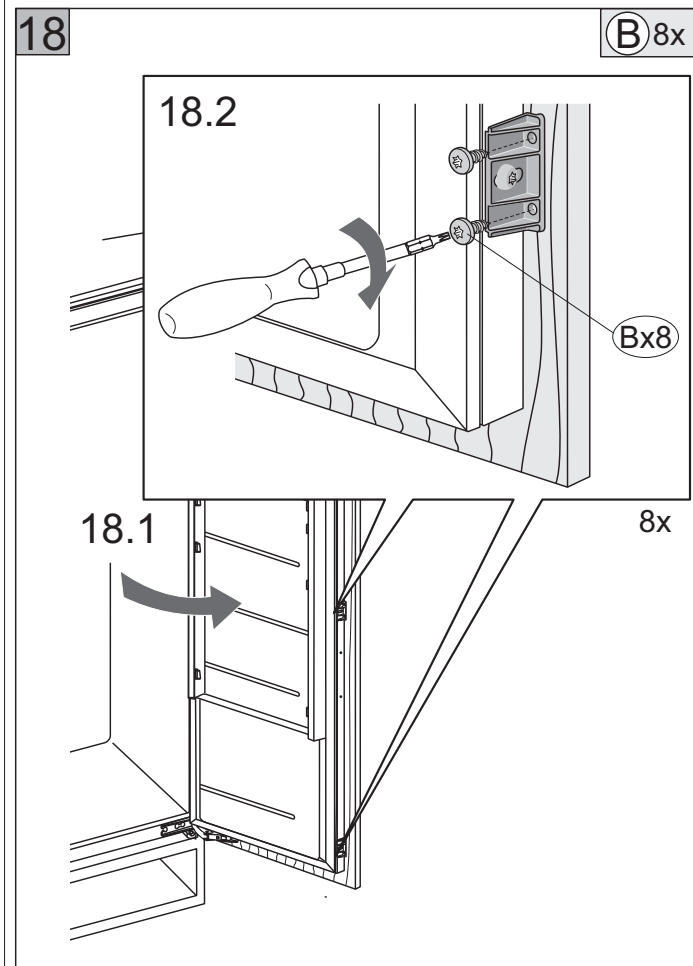
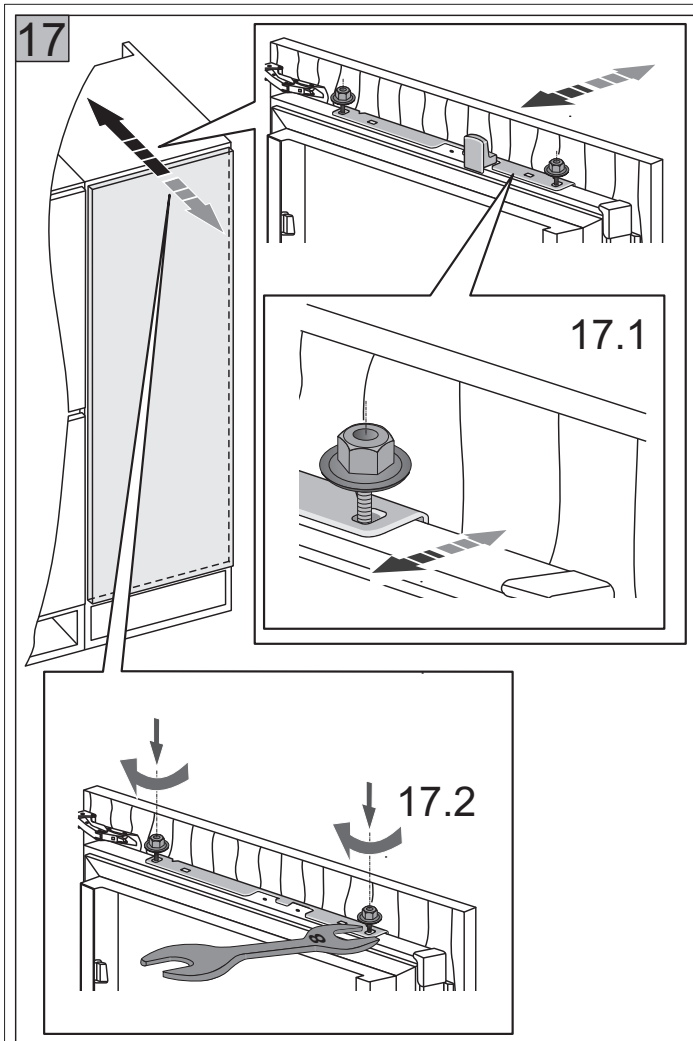


14

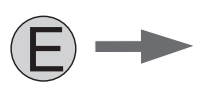
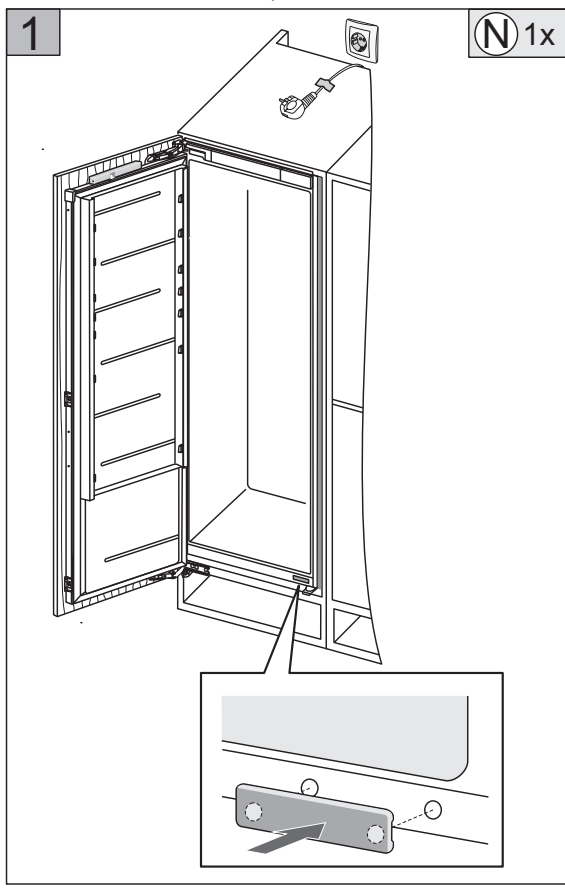
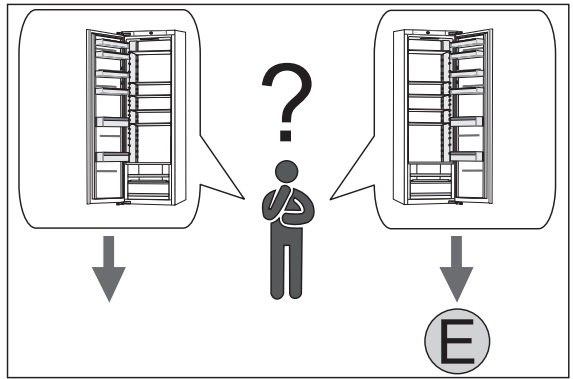
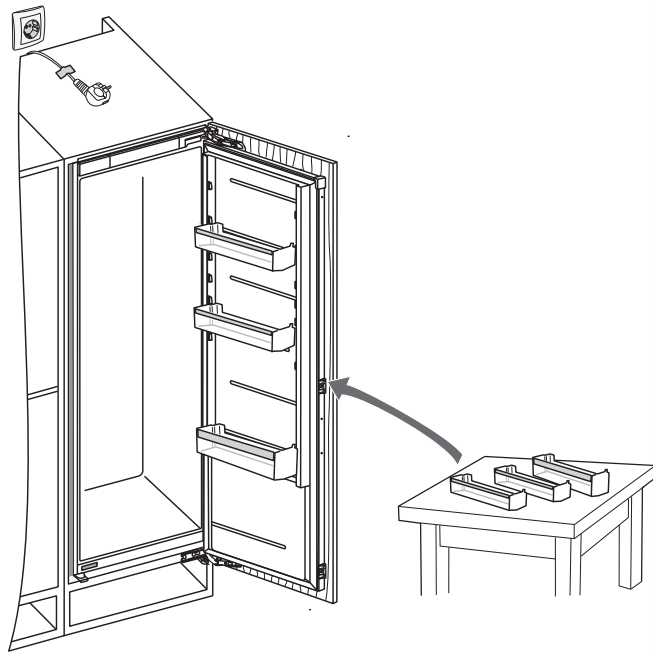


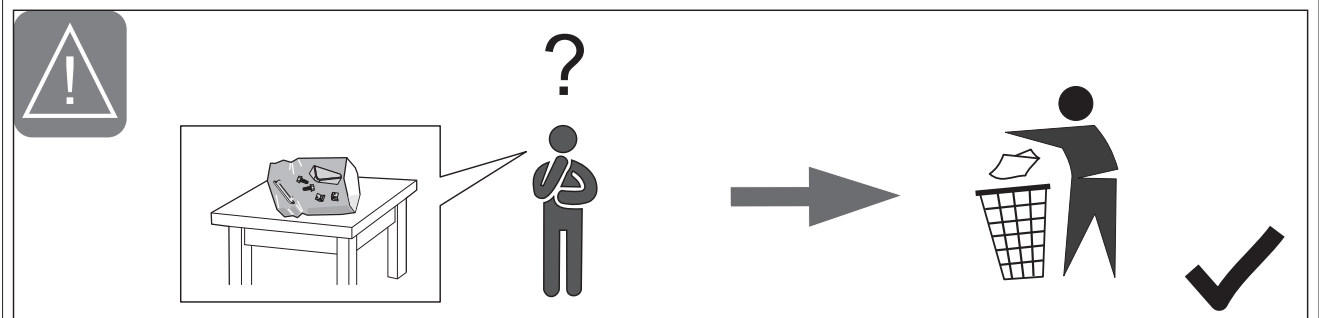
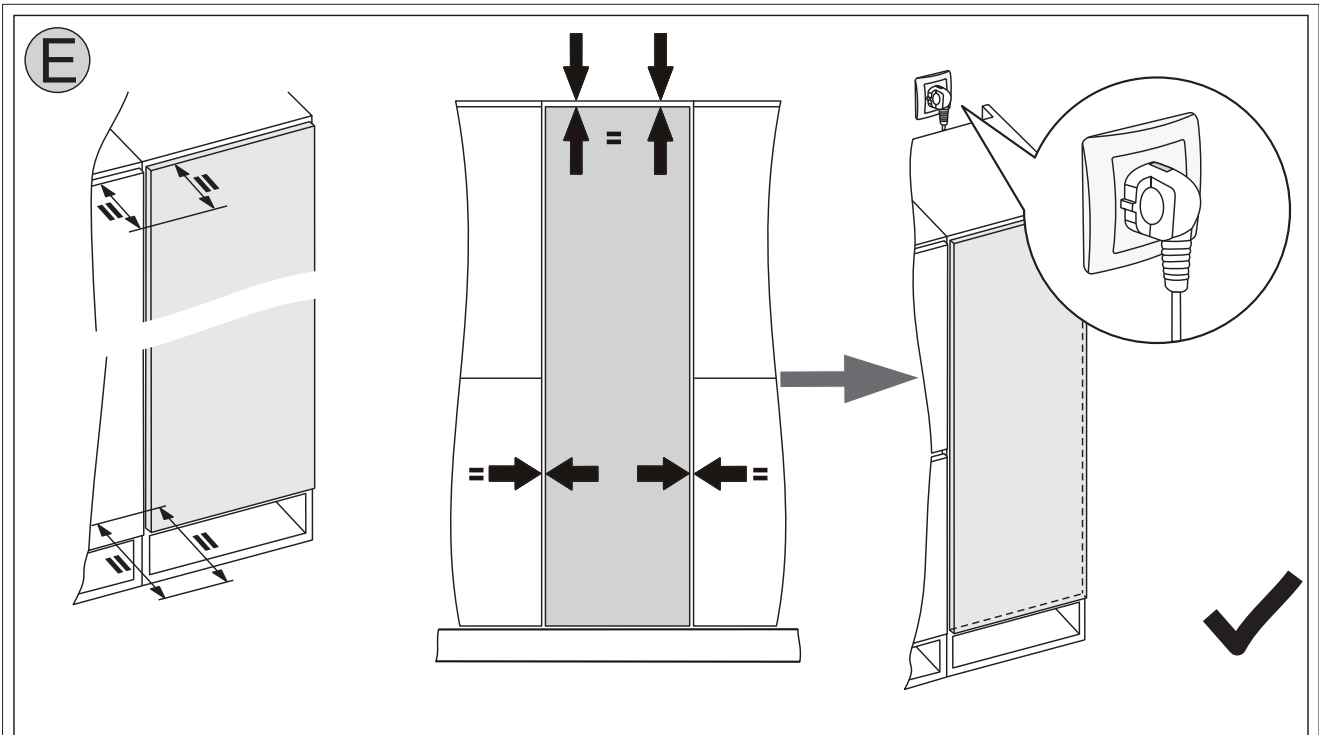
16





21





VGRADNJA COOLER, COOLER 4ZV BI540  
ŠKARJASTI TEČAJ ATA



613826

un (03-21)