



## Inbouw koelkast met vriesvak (122 cm)



KD63122B

### Uitvoering

- energielabel: E
- totale inhoud: 189 liter
- deur op deur montage met soft-close
- zelfsluitend binnen een hoek van 20°
- heldere LED binnenverlichting

### Koelgedeelte

- inhoud: 171 liter
- automatisch ontdooisysteem
- 4 transparante, verstelbare deurvakken met luxe afwerking, waaronder een afsluitbaar boter- en kaasvak
- 1 flessenhouder
- 4 luxe draagplateaus van veiligheidsglas met RVS afwerking, waarvan 2 in hoogte verstelbaar
- 1 grote transparante groentelade

### Vriesgedeelte

- inhoud: 18 liter
- 4-sterren vriesvak
- invriesvermogen: 3 kg per 24 uur

### Bediening

- elektronische temperatuurregeling
- temperatuurindicatie d.m.v. LED

### Bijzonderheden

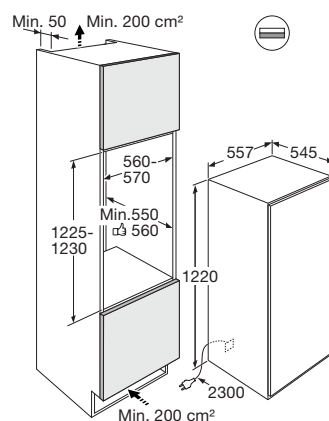
- draairichting van de deur omkeerbaar (links- of rechtsdraaiend)

### Toebehoren

- 1 luxe flessenrek

### Technische specificaties

- geschikt voor omgevingstemperatuur: N-ST (10-38°C)
- energieverbruik: 151 kWh/jaar
- geluidsniveau: 36 dB(A)
- aansluitwaarde: 80 W



# Product Information Sheet

COMMISSION DELEGATED REGULATION (EU) 2019/2016

**Supplier's name or trademark:** ATAG

**Supplier's address:** Impact 83, 6921 RZ Duiven, NL

**Model identifier:** KD63122B

**Type of refrigerating appliance:**

Low-noise appliance:	No	Design type:	built-in
Wine storage appliance:	No	Other refrigerating appliance:	Yes

**General product parameters:**

Parameter	Value	Parameter	Value
Overall dimensions (millimetre)	Height	1220	Total volume (dm <sup>3</sup> or l)
	Width	557	
	Depth	545	
EEI	100	Energy efficiency class	E
Airborne acoustical noise emissions (dB(A) re 1 pW)	36	Airborne acoustical noise emission class	C
Annual energy consumption (kWh/a)	151	Climate class:	extended temperate, temperate, subtropical
Minimum ambient temperature (°C), for which the refrigerating appliance is suitable	10	Maximum ambient temperature (°C), for which the refrigerating appliance is suitable	38
Winter setting	No		

**Compartment Parameters:**

Compartment type	Compartment parameters and values				
	Compartment volume (dm <sup>3</sup> or l)	Recommended temperature setting for optimised food storage (°C) These settings shall not contradict the storage conditions set out in Annex IV, Table 3	Freezing capacity (kg/24h)	Defrosting type (auto-defrost=A, manual defrost=M)	
Pantry	No	-	-	-	
Wine storage	No	-	-	-	
Cellar	No	-	-	-	
Fresh food	Yes	171	4	A	
Chill	No	-	-	-	

0-star or ice-making	No	-	-	-	-
1-star	No	-	-	-	-
2-star	No	-	-	-	-
3-star	No	-	-	-	-
4-star	Yes	18	-18	3	M
2-star section	No	-	-	-	-
Variable temperature compartment	-	-	-	-	-
<b>For 4-star compartments</b>					
Fast freeze facility			No		
<b>Light source parameters:</b>					
Type of light source			Lighting technology used: LED; Non-directional or directional: DLS; Mains or non-mains: NMLS; Connected light source (CLS): No; Colour-tuneable light source: No; Envelope: -; High luminance light source: No; Anti-glare shield: No; Dimmable: No		
Energy efficiency class			G		
<b>Minimum duration of the guarantee offered by the manufacturer:</b> 24 months					
<b>Additional information:</b>					
<b>Weblink to the manufacturer's website, where the information in point4(a) Annex of Commission Regulation (EU) 2019/2019 is found:</b> <a href="https://www.atag.nl">https://www.atag.nl</a>					