



Inbouw koelkast (122 cm)



KD63122A

Uitvoering

- energielabel: E
- totale inhoud: 209 liter
- deur op deur montage met soft-close
- zelfsluitend binnen een hoek van 20°
- heldere LED binnenverlichting

Koelgedeelte

- automatisch ontdooisysteem
- 4 transparante, verstelbare deurvakken met luxe afwerking, waaronder een afsluitbaar boter- en kaasvak
- 1 flessenhouder
- 5 luxe draagplateaus van veiligheidsglas met RVS afwerking, waarvan 4 in hoogte verstelbaar
- 1 grote transparante groentelade

Bediening

- elektronische temperatuurregeling
- temperatuurindicatie d.m.v. LED

Bijzonderheden

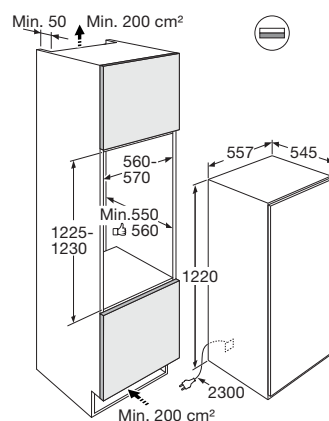
- draairichting van de deur omkeerbaar (links- of rechtsdraaiend)

Toebehoren

- 1 luxe flessenrek

Technische specificaties

- geschikt voor omgevingstemperatuur: SN-T (10-43°C)
- energieverbruik: 102 kWh/jaar
- geluidsniveau: 35 dB(A)
- aansluitwaarde: 75 W



Product Information Sheet

COMMISSION DELEGATED REGULATION (EU) 2019/2016

Supplier's name or trademark: ATAG

Supplier's address: Impact 83, 6921 RZ Duiven, NL

Model identifier: KD63122A

Type of refrigerating appliance:

Low-noise appliance:	No	Design type:	built-in
Wine storage appliance:	No	Other refrigerating appliance:	Yes

General product parameters:

Parameter	Value	Parameter	Value
Overall dimensions (millimetre)	Height	1220	Total volume (dm ³ or l)
	Width	557	
	Depth	545	
EEI	100	Energy efficiency class	E
Airborne acoustical noise emissions (dB(A) re 1 pW)	35	Airborne acoustical noise emission class	B
Annual energy consumption (kWh/a)	102	Climate class:	extended temperate, temperate, subtropical, tropical
Minimum ambient temperature (°C), for which the refrigerating appliance is suitable	10	Maximum ambient temperature (°C), for which the refrigerating appliance is suitable	43
Winter setting	No		

Compartment Parameters:

Compartment type	Compartment parameters and values				
	Compartment volume (dm ³ or l)	Recommended temperature setting for optimised food storage (°C) These settings shall not contradict the storage conditions set out in Annex IV, Table 3	Freezing capacity (kg/24h)	Defrosting type (auto-defrost=A, manual defrost=M)	
Pantry	No	-	-	-	
Wine storage	No	-	-	-	
Cellar	No	-	-	-	
Fresh food	Yes	209	4	A	

Chill	No	-	-	-	-
0-star or ice-making	No	-	-	-	-
1-star	No	-	-	-	-
2-star	No	-	-	-	-
3-star	No	-	-	-	-
4-star	No	-	-	-	-
2-star section	No	-	-	-	-
Variable temperature compartment	-	-	-	-	-
Light source parameters:					
Type of light source	Lighting technology used: LED; Non-directional or directional: DLS; Mains or non-mains: NMLS; Connected light source (CLS): No; Colour-tuneable light source: No; Envelope: -; High luminance light source: No; Anti-glare shield: No; Dimmable: No				
Energy efficiency class	G				
Minimum duration of the guarantee offered by the manufacturer: 24 months					
Additional information:					
Weblink to the manufacturer's website, where the information in point4(a) Annex of Commission Regulation (EU) 2019/2019 is found: https://www.atag.nl					