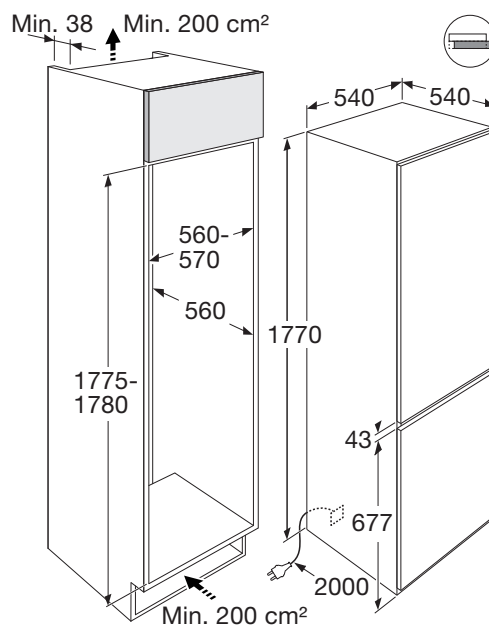


INBOUW SLEEPDEUR KOEL/VRIESCOMBINATIE (178 CM)



Specificaties

- totale inhoud koelgedeelte 179 liter
- totale inhoud ****vriesgedeelte 70 liter
- automatisch ontdooien koelruimte
- elektronische thermostaat
- energiezuinige inverter compressor
- deur met verwisselbare draairichting
- heldere LED verlichting in koelgedeelte
- 4 glazen legplateaus met lekrand
- 2 transparante groenteladen
- 3 transparante vriesladen
- sleepdeur systeem
- speciale functies: SuperCool, FastFreeze en alarmsignaal bij open deur

Technische specificaties

- buitenmaten (hxbxd) 1770 x 540 x 540 mm
- aansluitwaarde 115 W
- invriescapaciteit 3,2 kg/24h
- energieverbruik 216 kWh/jaar
- energieklassen E
- geluidsniveau 39 dB(A)

Product Information Sheet

COMMISSION DELEGATED REGULATION (EU) 2019/2016 with regard to energy labelling of refrigerating appliances

Supplier's name or trade mark: ETNA

Supplier's address: ETNA Service, Impact 83, 6921 RZ Duiven, NL

Model identifier: KCS5178

Type of refrigerating appliance:

Low-noise appliance:	No	Design type:	-
Wine storage appliance:	No	Other refrigerating appliance:	Yes

General product parameters:

Parameter	Value	Parameter	Value
Overall dimensions (millimetre)	Height	1 770	Total volume (dm ³ or l)
	Width	540	
	Depth	540	
EEI	100	Energy efficiency class	E
Airborne acoustical noise emissions (dB(A) re 1 pW)	39	Airborne acoustical noise emission class	C
Annual energy consumption (kWh/a)	216	Climate class:	temperate, subtropical
Minimum ambient temperature (°C), for which the refrigerating appliance is suitable	16	Maximum ambient temperature (°C), for which the refrigerating appliance is suitable	38
Winter setting	No		

Compartment Parameters:

Compartment type		Compartment parameters and values			
		Compartment Volume (dm ³ or l)	Recommended temperature setting for optimised food storage (°C) These settings shall not contradict the storage conditions set out in Annex IV, Table 3	Freezing capacity (kg/24h)	Defrosting type (auto-defrost=A, manual defrost=M)
Pantry	No	-	-	-	-
Wine storage	No	-	-	-	-

Cellar	No	-	-	-	-
Fresh food	Yes	179,0	4	-	A
Chill	No	-	-	-	-
0-star or ice-making	No	-	-	-	-
1-star	No	-	-	-	-
2-star	No	-	-	-	-
3-star	No	-	-	-	-
4-star	Yes	70,0	-18	3,2	M
2-star section	No	-	-	-	-
Variable temperature compartment	-	-	-	-	-
For 4-star compartments					
Fast freeze facility			Yes		
Light source parameters:					
Type of light source			LED		
Energy efficiency class			G		
Minimum duration of the guarantee offered by the manufacturer: 24 months					
Additional information:					
Weblink to the manufacturer's website, where the information in point4(a) Annex of Commission Regulation (EU) 2019/2019 is found: https://etna.nl/					