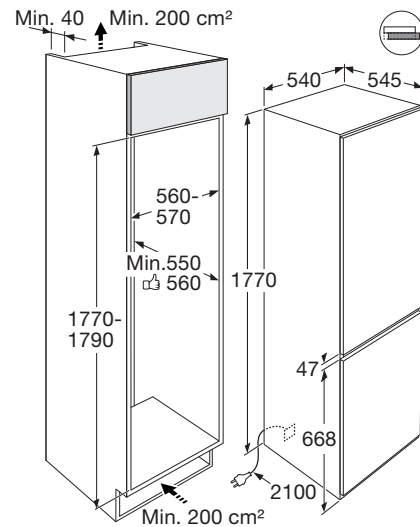


INBOUW SLEEPDEUR KOEL/VRIESCOMBINATIE (178 CM)



Specificaties

- totale inhoud koelgedeelte 181 liter
- totale inhoud ****vriesgedeelte 68 liter
- automatisch ontdooien koelruimte
- deur met verwisselbare draairichting
- heldere LED verlichting boven in koelgedeelte voor optimale lichtverdeling
- 4 glazen legplateaus met lekrand
- 1 transparante groentelade met luchtvochtigheidsregeling
- 3 transparante vriesladen waarvan 1 SimpleSlide lade
- sleepdeur systeem
- snelvriesfunctie

Technische specificaties

- buitenmaten (hxbxd) 1770 x 540 x 545 mm
- aansluitwaarde 195 W
- invriescapaciteit 4,5 kg/24h
- energieverbruik 269 kWh/jaar
- energieklassen F
- geluidsniveau 38 dB(A)

Product Information Sheet

COMMISSION DELEGATED REGULATION (EU) 2019/2016

Supplier's name or trademark: ETNA

Supplier's address: Impact 83, 6921 RZ Duiven, NL

Model identifier: KCS4178

Type of refrigerating appliance:

Low-noise appliance:	No	Design type:	built-in
Wine storage appliance:	No	Other refrigerating appliance:	Yes

General product parameters:

Parameter		Value	Parameter	Value
Overall dimensions (millimetre)	Height	1770	Total volume (dm ³ or l)	248
	Width	540		
	Depth	545		
EEI	125	Energy efficiency class	F	
Airborne acoustical noise emissions (dB(A) re 1 pW)	38	Airborne acoustical noise emission class	C	
Annual energy consumption (kWh/a)	269	Climate class:	temperate, subtropical	
Minimum ambient temperature (°C), for which the refrigerating appliance is suitable	16	Maximum ambient temperature (°C), for which the refrigerating appliance is suitable	38	
Winter setting	Yes			

Compartment Parameters:

Compartment type	Compartment parameters and values				
	Compartment volume (dm ³ or l)	Recommended temperature setting for optimised food storage (°C) These settings shall not contradict the storage conditions set out in Annex IV, Table 3	Freezing capacity (kg/24h)	Defrosting type (auto-defrost=A, manual defrost=M)	
Pantry	No	-	-	-	-
Wine storage	No	-	-	-	-
Cellar	No	-	-	-	-
Fresh food	Yes	180.6	4	-	A
Chill	No	-	-	-	-
0-star or ice-making	No	-	-	-	-

1-star	No	-	-	-	-
2-star	No	-	-	-	-
3-star	No	-	-	-	-
4-star	Yes	68.2	-18	4.5	M
2-star section	No	-	-	-	-
Variable temperature compartment	-	-	-	-	-
For 4-star compartments					
Fast freeze facility			Yes		
Light source parameters:					
Type of light source			Lighting technology used: LED; Non-directional or directional: NDLS; Mains or non-mains: MLS; Connected light source (CLS): No; Colour-tuneable light source: No; Envelope: -; High luminance light source: No; Anti-glare shield: No; Dimmable: No		
Energy efficiency class			E		
Minimum duration of the guarantee offered by the manufacturer: 24 months					
Additional information:					
Weblink to the manufacturer's website, where the information in point4(a) Annex of Commission Regulation (EU) 2019/2019 is found: http://www.etna.nl					