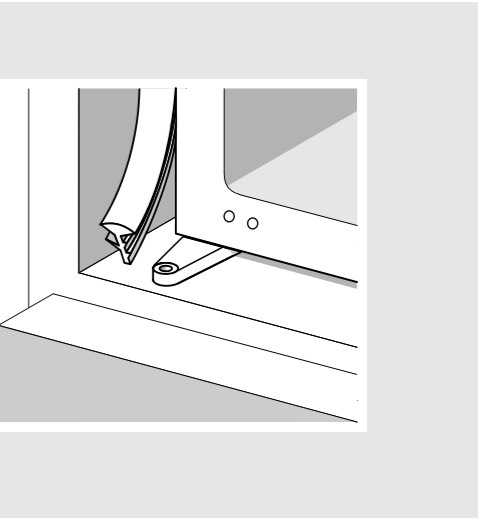
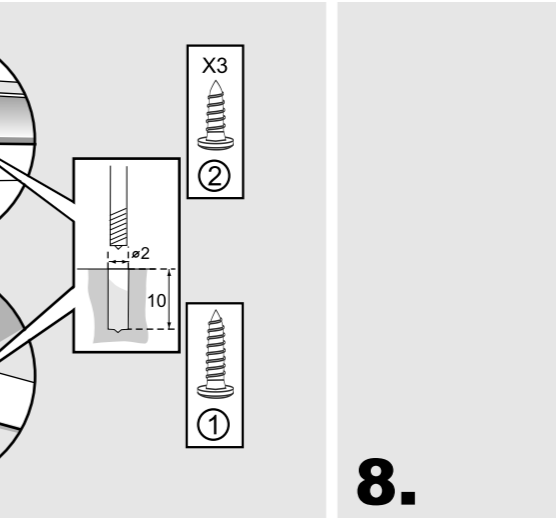
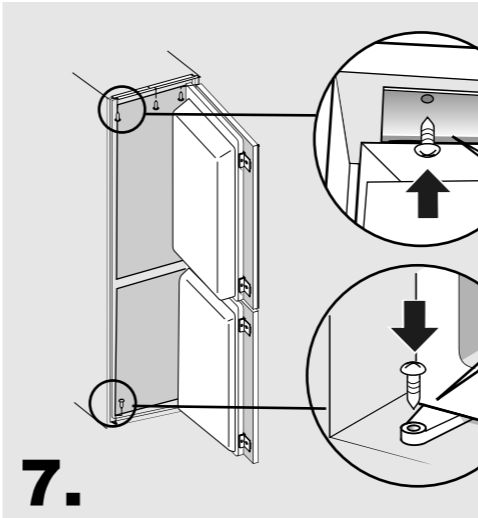
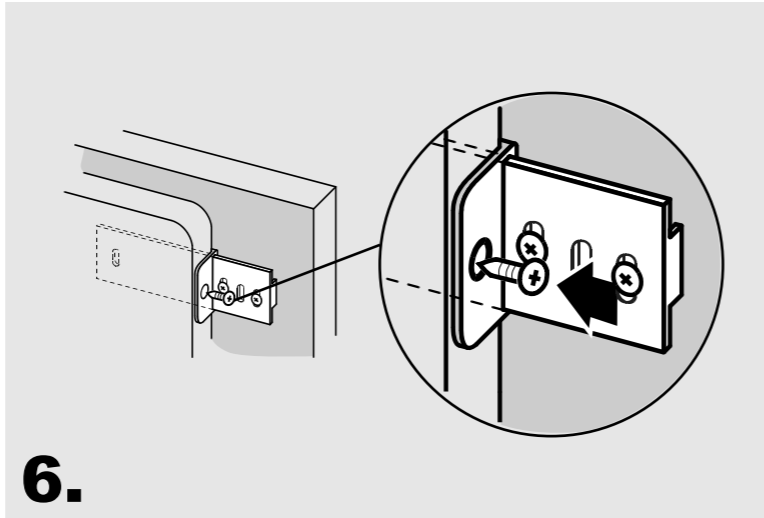
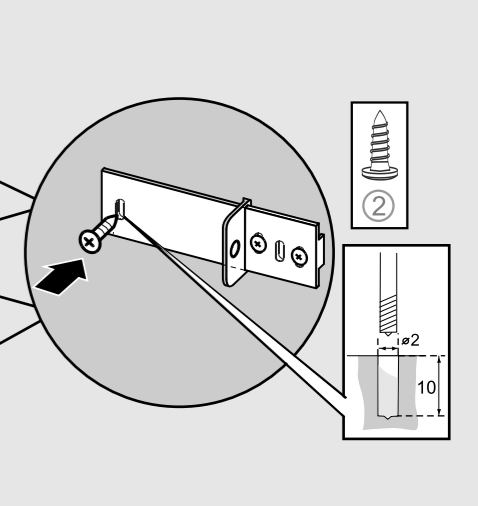
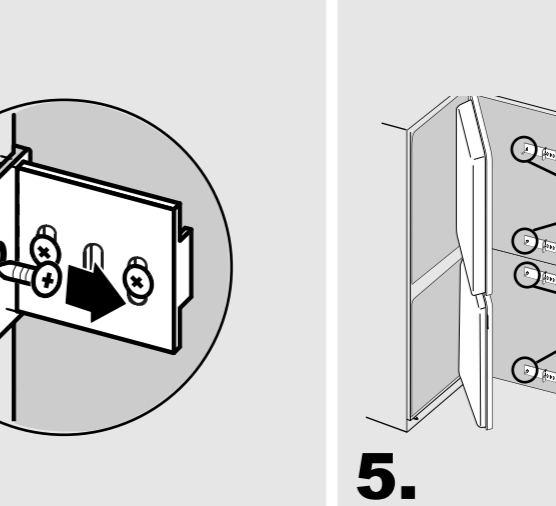
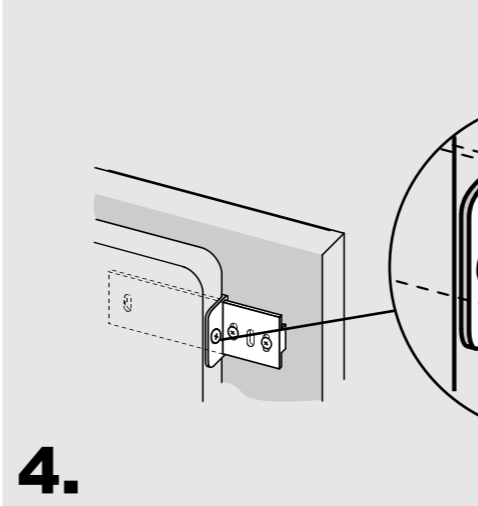
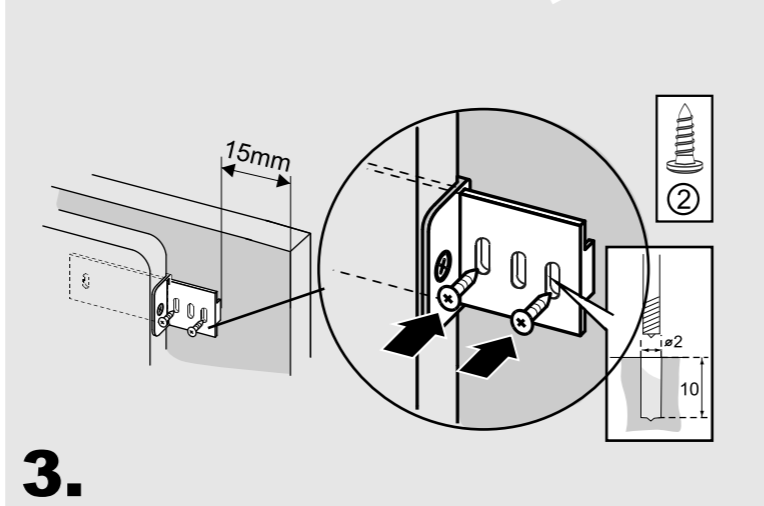
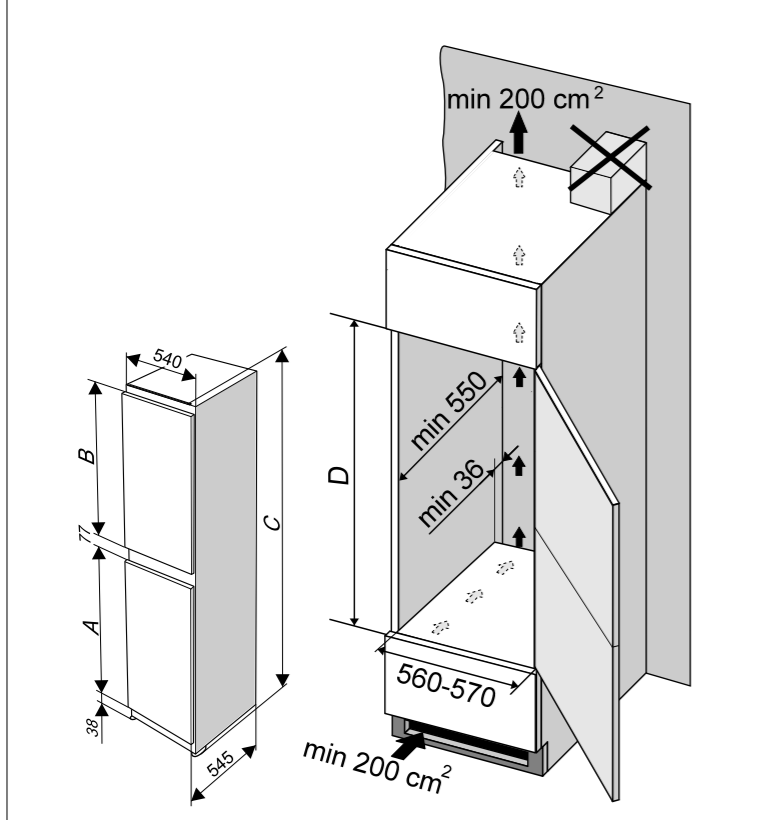
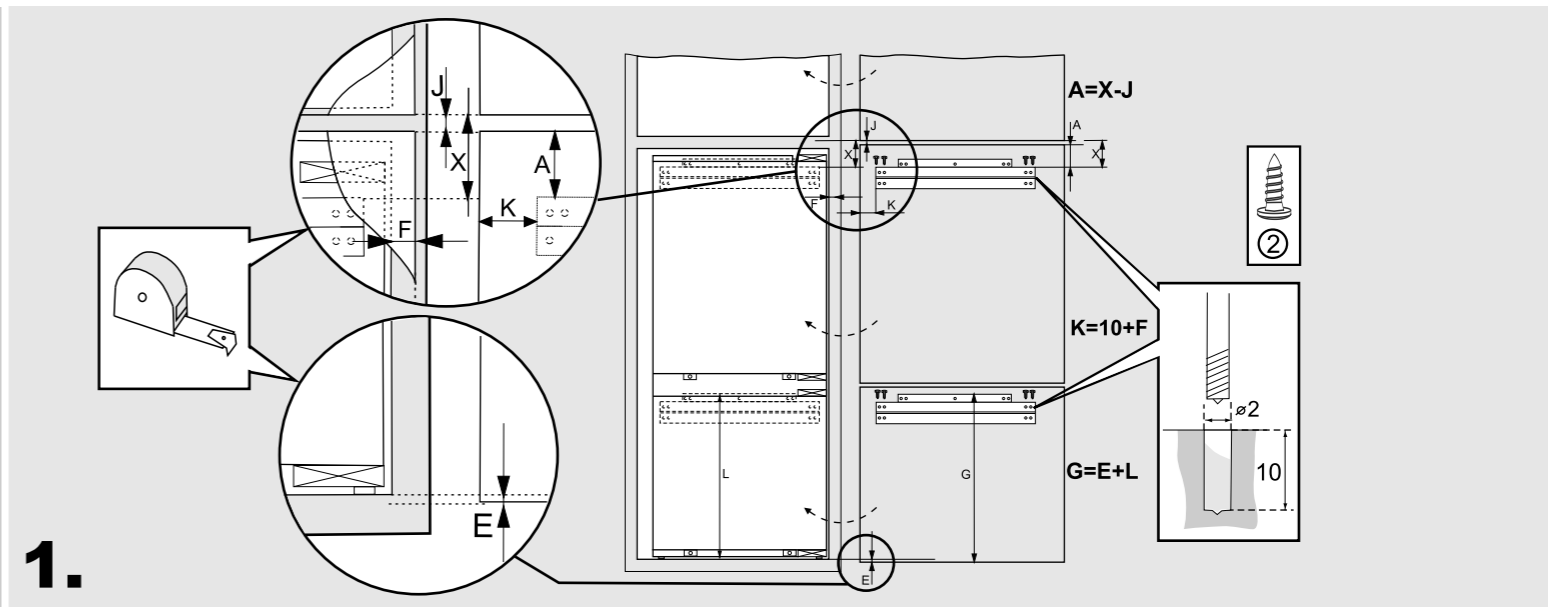
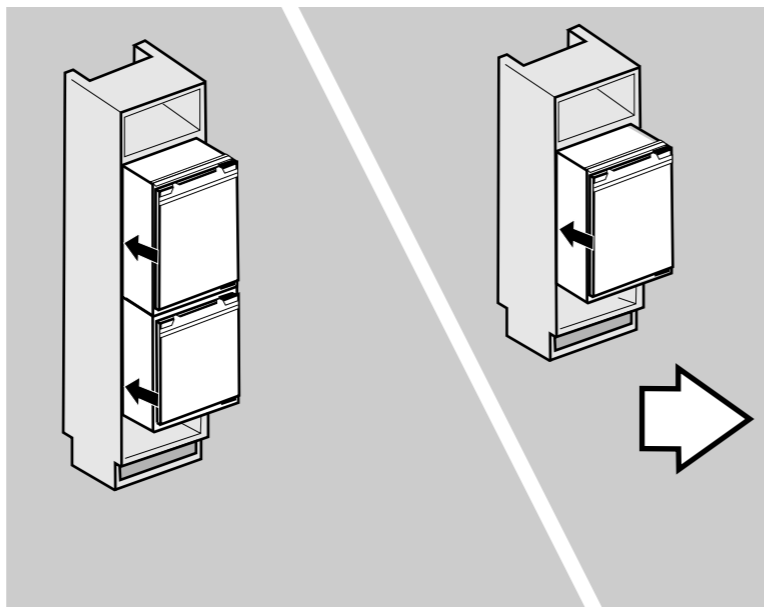
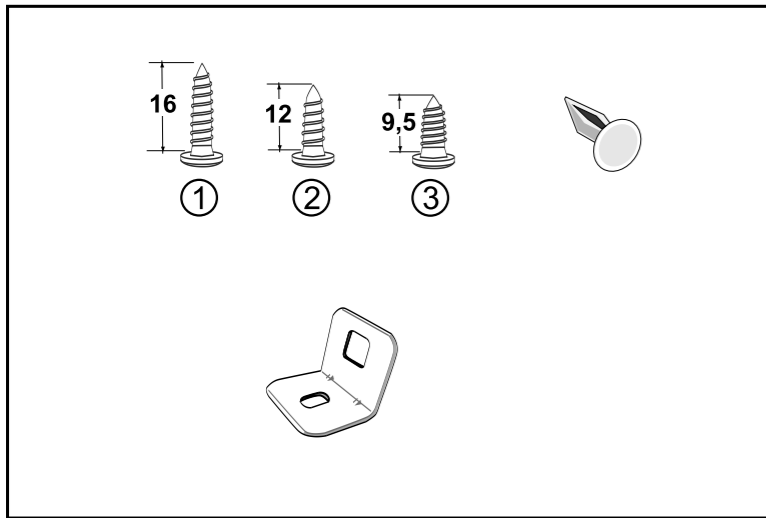
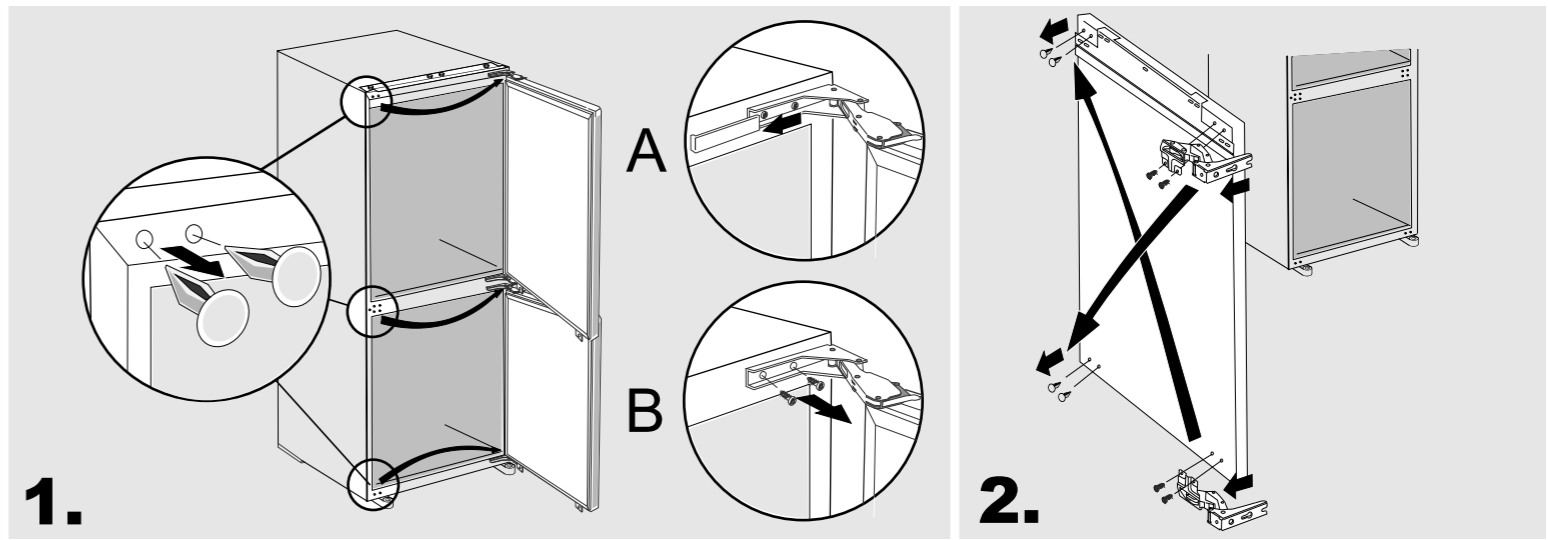
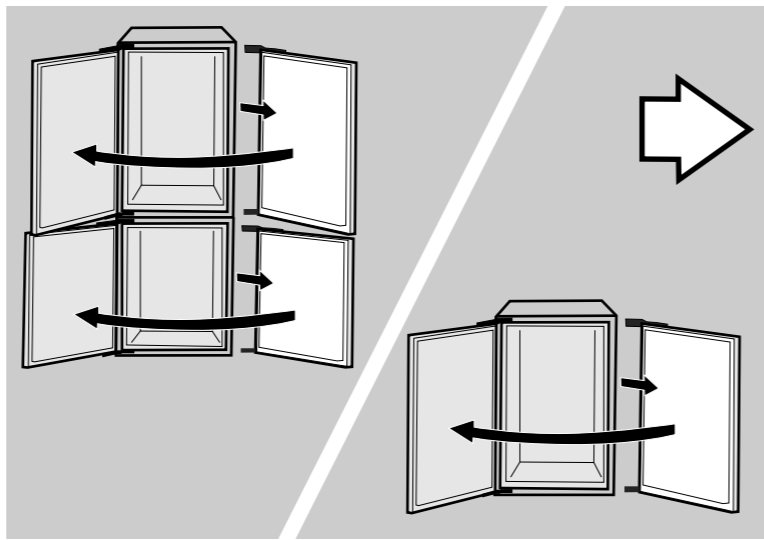
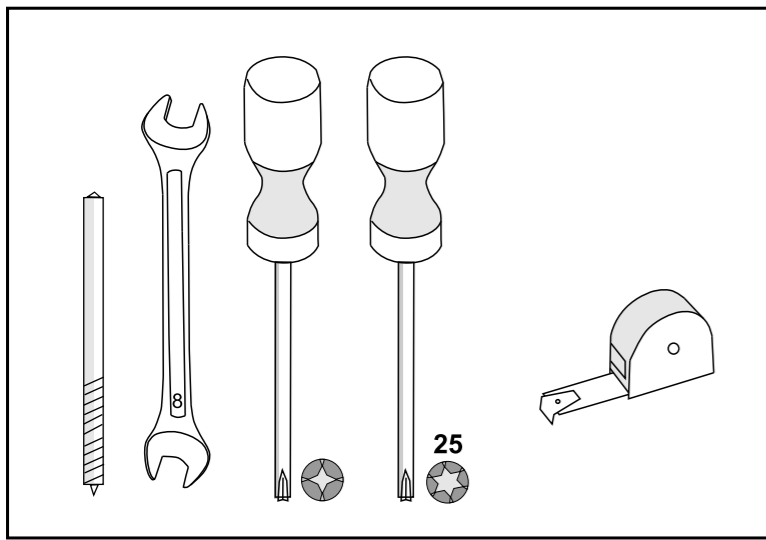


	A (mm)	B (mm)	C (mm)	D (mm)
	1156	/	1225	1225 - 1230
	1706	/	1775	1775 - 1780
	558	1071	1775	1775 - 1780
	626	979	1775	1775 - 1780
	818	787	1775	1775 - 1780





	A (mm)	B (mm)	C (mm)	D (mm)
[Cabinet Icon]	1210	/	1225	1225 - 1230
	1730	/	1775	1775 - 1780
[Drawer Icon]	612	1125	1775	1775 - 1780
	680	1033	1775	1775 - 1780
	872	841	1775	1775 - 1780

