

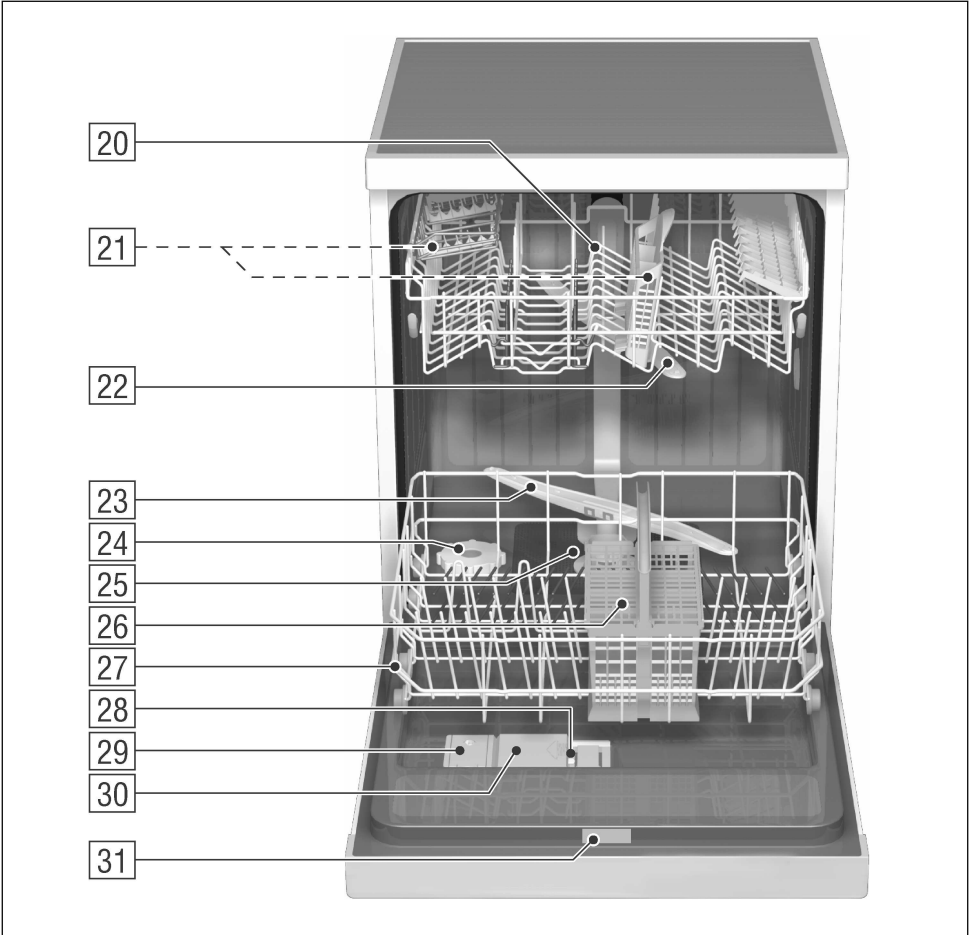
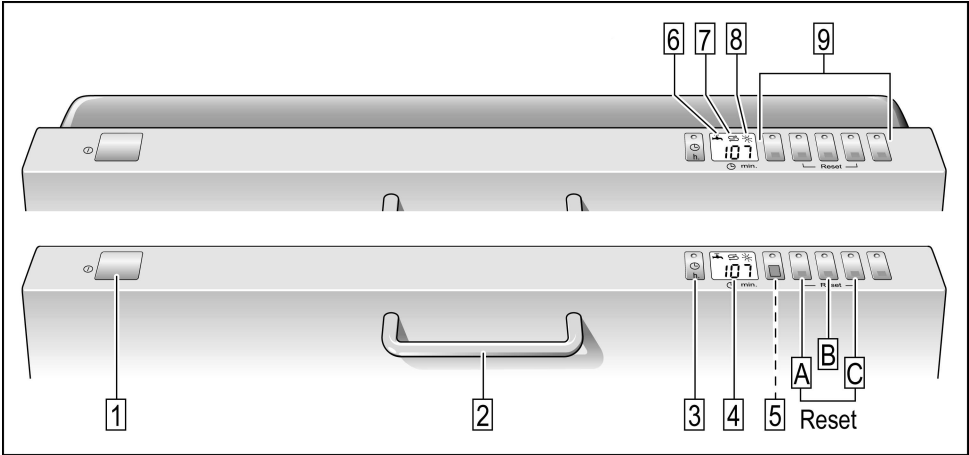
instructions for use

VA 6411RT/A01
VA 9411RT/A01

9000 256 715 (8605)



ATAG



en Index

Safety instructions	4	Washing dishes	17
Getting to know your appliance ..	6	Additional functions	20
Water softener	7	Maintenance and care	20
Filling the salt dispenser	8	Fault finding	23
Adding rinse aid	9	Customer Service	25
Utensils	10	Information	26
Detergent	13	Installation	26
auto 3in1	14	Waste disposal	28
Overview of programmes	16		

Safety instructions

Delivery

- Immediately check the packaging and dishwasher for any damage which may have been caused in transit. Do not use a damaged appliance, but consult your supplier.
- Please dispose of packaging material properly.

Installation

- Install and connect the appliance according to the installation and assembly instructions.
- The dishwasher must NOT be connected to the power supply during installation.
- Ensure that the protective conductor system of the domestic electricity supply has been installed correctly.
- Electrical connection conditions must correspond with the specifications on the rating plate of the dishwasher.
- If the dishwasher is to be installed in a high-sided unit, ensure that the unit is attached properly and also at the rear.
- Built-under and built-in appliances should always be installed under a continuous work surface which is attached to the adjacent cupboards, in order to ensure that the appliance is entirely stable.
- After the appliance has been installed, the mains plug should still be easily accessible.
- Not on all models:
The plastic housing on the water input contains an electrically operated valve. The connecting wires are inside the inlet hose. Do not cut through this hose and do not immerse the plastic housing in water.



Warning

For safety reasons, if the appliance is not fitted in a recess, thereby making a side wall accessible, the door hinge area should be covered at the side.

(Risk of injury)

Covers are available as optional accessories from customer services or specialist stores.

In daily use



Warning

Knives and other sharp-pointed utensils must be placed with the points down in the cutlery basket or horizontally in the utensils basket.

- Use the dishwasher only in the household and only for its designed purpose, i.e. for washing domestic dishes.
- Do not lean or sit on the open door. The appliance could tip.
- Please note that free-standing appliances may tip over if the baskets are overloaded.
- The water in the appliance is not drinking water.
- Do not add any solvents to the washing chamber. Danger of explosion!
- Open the door carefully when the programme is still running. There is a risk of hot water spraying out of the appliance.
- To prevent injuries, e.g. caused by stumbling, open the dishwasher only briefly in order to load and unload the dishwasher.
- Read and observe the safety information and instructions for use on the packaging for cleaning and rinsing agents.

Children in the household

- If fitted, use the childproof lock. An exact description can be found in the back of the envelope.
- Do not allow children to play with or operate the appliance.
- Keep children away from detergents and rinse aid. These may cause chemical burns in the mouth, throat and eyes or asphyxiation.
- Keep children away from an open dishwasher. There could still be detergent residue inside.
- If the appliance is installed at eye-level, ensure when opening and closing the door that children are not caught or crushed between the appliance door and the cupboard door situated below.

Damage

- The appliance may be repaired and opened up by a technician only. First disconnect the appliance from the power supply. Pull out the mains plug (do not tug the power cord!) or switch off the fuse. Turn off the tap.

Disposal

- Make redundant appliances unusable to prevent subsequent accidents.
- Dispose of the appliance in an environmentally friendly manner.



Warning

Children could get locked in the appliance (risk of suffocation) or get stuck in other positions.

Therefore: Remove the mains plug, cut the mains wire and set aside. Damage the door lock so that the door can no longer be closed.

Getting to know your appliance

Diagrams of the control panel and the interior of the appliance can be found in the envelope at the front.

Individual positions are referred to in the text.

Control panel

- 1 Main switch
- 2 Door Opener
- 3 Time delay
- 4 Digital display
- 5 Additional options *
- 6 "Check water supply" indicator *
- 7 Salt refill indicator
- 8 Rinse-aid refill indicator
- 9 Programme buttons

* some models

Appliance interior

- 20 Upper basket with 2-tiered cup rack
- 21 Additional cutlery basket for the top basket *
- 22 Upper spray arm
- 23 Lower spray arm
- 24 Container for special salt with level indicator *
- 25 Filters
- 26 Cutlery basket
- 27 Lower basket
- 28 Lock for detergent dispenser
- 29 Container for rinse-aid, with level indicator
- 30 Detergent compartment
- 31 Nameplate

* not on all models

You will need to purchase the following before using the dishwasher for the first time:

- special salt for use in dishwashers
- detergent
- rinse-aid

Only use products, which are suitable for dishwashers.

Water softener

In order to rinse dishes and glasses satisfactorily, the dishwasher requires soft water, i.e. containing little or no lime, otherwise water stains will be left behind on crockery and glasses, etc.

If the tap water exceeds a certain level of hardness, it must be softened, i.e. decalcified, so that it can be used in the dishwasher.

This is achieved by adding a special salt to the water softener inside the dishwasher.

The water softener, that is the required amount of salt, is set up according to how hard the tap water is.

Setting up the water softener

- Determine the level of hardness of your tap water. Your local water company or service agent can help you with this.
- Identify setting from the following water hardness table.

- Press and hold the **[B]** programme button, and set the main switch **[1]** to ON, before releasing the programme button again.
The indicator lamp for the **[B]** button flashes, as does the figure **4** in the numerical display. The latter represents the value that was pre-set in the factory.

To change the setting:

Press the **[B]** programme button **[9]**.

Every time the button is pressed, the figure increases by one. After reaching **7**, the display starts at **0** again.

- Set the main switch **[1]** to OFF. The new setting is stored in the appliance's memory.

Approx. 4 litres of water are required for regenerating the water softening system. The overall water consumption per load can therefore be increased by between 0 and a maximum of 4 litres according to the water hardness setting.

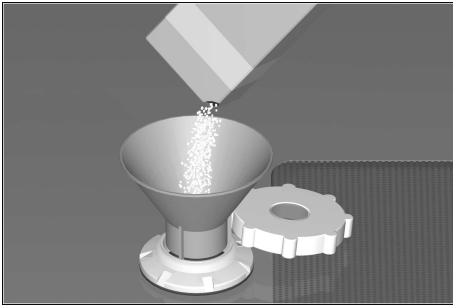
Water hardness table

°dH	°fH	°Clarke	mmol/l	
0 - 6	0 -11	0 - 8	0 -1,1	00
7 - 8	12-15	9 -10	1,2-1,4	01
9 -10	16-17	11-12	1,5-1,8	02
11-12	18-21	13-15	1,9-2,1	03
13-16	22-29	16-20	2,2-2,9	04
17-21	30-37	21-26	3,0-3,7	05
22-30	38-54	27-38	3,8-5,4	06
31-50	55-89	39-62	5,5-8,9	07

Filling the salt dispenser

Salt must always be filled before the appliance is switched on, so that excess salt solution is immediately flushed away to prevent corrosion.

- Open the screw-type cap of the compartment 24.
- Before using the appliance for the first time, pour about 1 litre of water in the salt container.
- Then refill with salt (**not cooking salt**) until the salt container is full (max. 1.5 kg). When you refill the salt, water is being displaced and drains off.



The LOW SALT indicator 7 on the front panel will light up initially but will extinguish again after a short period when the salt solution has become sufficiently concentrated.

When the control is set to 0, it is not necessary to fill up with salt as none will be consumed while the dishwasher is operating. The LOW SALT indicator is switched off. If the control is set between 1 and 7, then salt must be added to the dispenser.



Warning

Do not pour detergent into the container for special salt. This would destroy the water softener.

Salt refill indicator

As soon as the salt refill indicator 7 is lit on the control panel, refill with salt immediately before the next rinse cycle.

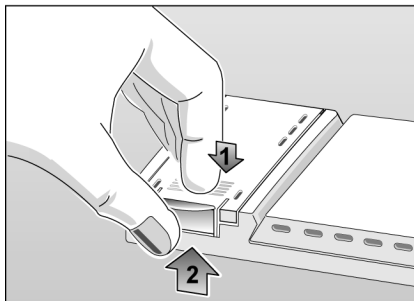
Depending on the washing frequency and the hardness setting, the regeneration salt may not have to be topped up for several months.

Adding rinse aid

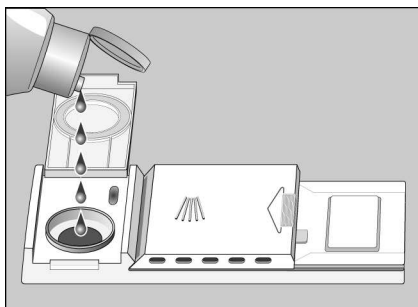
The rinse aid is required for stain-free utensils and clear glasses.

Use only rinse aid for domestic dishwashers.

- Open the cover on the rinse-aid dispenser [29]. To do this, press the mark (1) on the cover and simultaneously lift the cover on the control plate (2).



- Carefully pour in the rinse aid to just below the edge of the filler opening.



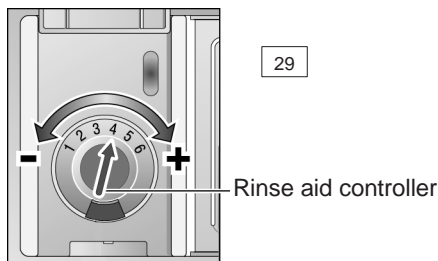
- Close the lid, ensuring that you hear it snap closed.

To prevent excessive foam formation during the next rinse cycle, remove any rinse aid which has run over with a cloth.

Adjusting the amount of rinse-aid

The amount of rinse-aid added to the water can be varied by adjusting the stepless control. The rinse-aid control has been set to "4" in the factory.

Do not alter the setting of the rinse-aid control unless streaks (turn knob towards "–") or water marks (turn knob towards "+") are left on the dishes.



Rinse-aid refill indicator

As soon as the rinse-aid refill indicator lights up on the control panel [8], refill with rinse aid.

If using detergent products with integrated rinse aid, the rinse-aid refill indicator can be switched off (see "Switching the rinse-aid refill indicator off and on" in the "auto 3in1" chapter).

Utensils

Not suitable

- Cutlery and utensils made of wood.
- Fragile decorative glasses, hand-crafted and antique utensils. These decorative items are not dishwasher-proof.
- Plastic parts sensitive to hot water.
- Copper and tin utensils.
- Utensils which are soiled with ash, wax, lubricating grease or ink.
- Absorbent materials such as sponges and cloths.

Aluminium and silver parts have a tendency to discolour and fade during the wash cycle. Even some types of glass (e.g. crystal glass objects) may turn cloudy after many wash cycles.

Recommendation:

In future buy utensils which are identified as dishwasher-proof.

Damage to glassware and other dishes

Possible causes:

- type of glass or manufacturing process
- chemical composition of detergent
- water temperature and duration of dishwasher programme.

Suggested remedy:

- Use glassware or porcelain dishes that have been marked 'dishwasher-proof' by the manufacturer.
- Use a mild detergent that is described as 'kind to dishes'. If necessary, seek further information from detergent manufacturers.
- Select a programme with as low a temperature and as short a duration as possible.
- To prevent damage, take glass and cutlery out of the dishwasher as soon as possible after the programme has ended.

Loading the dishwasher

- Remove large food remnants. It is not necessary to rinse them off under running water.
- When loading the dishwasher, ensure that
 - all utensils are secure and cannot fall over.
 - the openings of all receptacles are face down.
 - curved or indented utensils are at an incline, allowing water to drain.
 - the two spray arms can rotate freely.

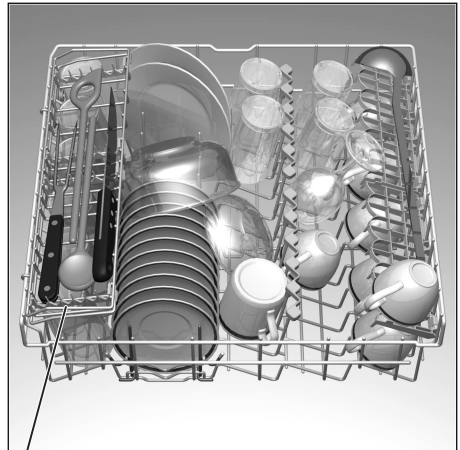
Very small items should not be washed in the dishwasher as they could easily fall out of the baskets.

Removing the dishes

To prevent water dripping from the top basket onto the dishes in the lower basket, we recommend that you empty the lower basket first and then the top basket.

Cups and glasses

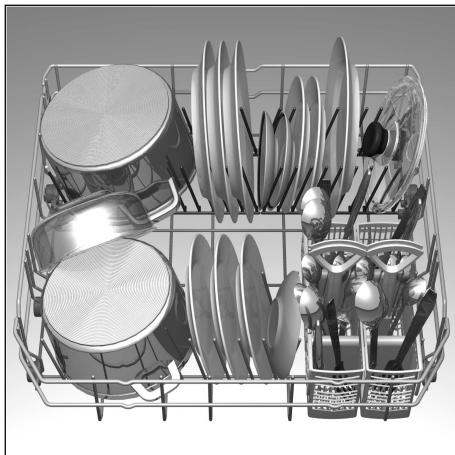
Upper basket 20



* not included with all models

Pots and pans

Lower basket 27



Cutlery

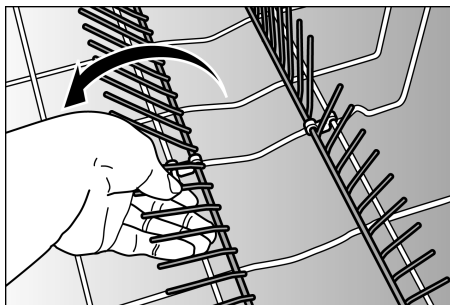
Cutlery should be placed in the dishwasher always unsorted and with the eating surface pointing downwards. The spray jet is then better able to reach the individual parts.

To prevent injuries, place long, pointed accessories and knives on the étagère (some models) or on the knife shelf (available as an accessory).

Folding spikes *

* on applicable models

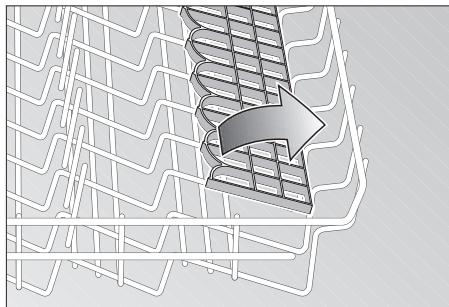
To improve stacking of pots and pans, the spikes can be folded down.



Shelf *

* not on all models

Lean tall glasses and those with long stems against the shelf – not against other items to be washed.

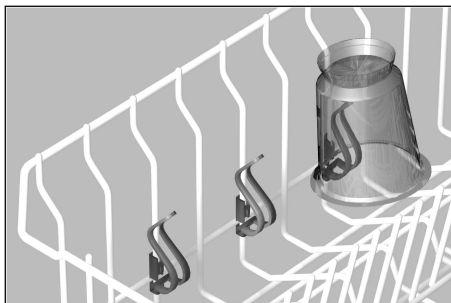


Long items, serving cutlery, salad servers or knives should be placed on the shelf so that they do not obstruct the rotation of the spray arms. The shelf can be folded back when not required for use.

Small accessories holder*

* some models

Light-weight plastic accessories, e.g. cups, lids, etc. can be held securely in the small accessories holder.



Adjusting the height of the basket *

* some models

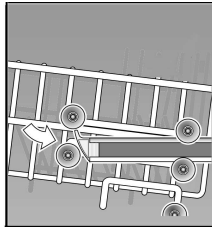
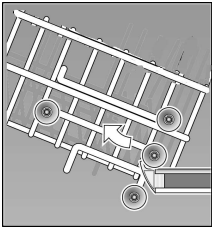
If required, the height of the upper utensils basket can be adjusted to provide more space for tall utensils either in the upper or lower basket.

Appliance height in cm	81	86
Max. ø in cm upper	20/25*	20/25*
max. ø in cm lower	30/25*	34/29*

Select one of the two following procedures according to the design of the top basket for your appliance model:

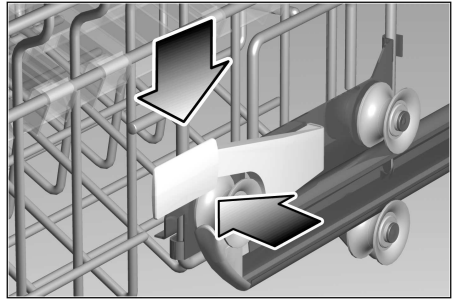
Top basket with upper and lower roller pairs

- Pull out the top basket.
- Remove the top basket and re-attach it to the upper or lower rollers.



Top basket with side levers (Rackmatic)

- Pull out the top basket.
- To **lower** the basket, press in one lever and then the other situated on the left and right of the basket exterior, holding the basket firmly on the sides of the upper edge to prevent it from falling down.



- To **raise** the basket, hold the basket on the sides of the upper edge and lift it up.
- Before re-inserting the basket again, ensure that it is at the same height on both sides. Otherwise, the appliance door cannot be closed and the upper spray arm will not be connected to the water circuit.

Detergent

You can use commercially available liquid or powder proprietary detergents for dishwashers or TABS (do not use handwash!).

If phosphate-free detergents are used with hard tap water, white deposits may be deposited more easily on utensils and the container walls. This can be remedied by adding more detergent.

See detergent packaging to determine whether a detergent is suitable for silver parts.

If you have any other questions, we recommend that you contact the helplines of the detergent manufacturers.

Detergent dispenser with dosing aid

The graduated detergent dispenser helps you pour in the correct amount.

Lower line: 15 ml

Middle line: 25 ml

Full to the brim: 40 ml

If the detergent dispenser [30] is still closed, press the lock [28] to open the detergent dispenser.

Adding detergent

- Fill the dispenser [30] with detergent.
Dosage: see manufacturer's instructions on the detergent packaging.



Note

The cleaning tabs from various manufacturers exhibit differing dissolving properties, so washing power may not develop fully during short programmes and there may be undissolved cleaning agent residue. It is recommended to use washing powder for these programmes.

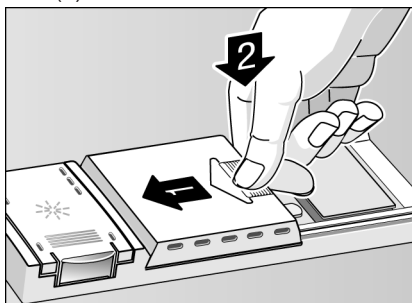
The Intensive programme (on some models) requires one tab only. When using washing powder, you can apply some of this cleaning agent to the inside of the appliance's door.



Reduce costs!

If your dishes are only moderately dirty, you may be able to use less detergent than recommended.

- Close the lid on the detergent compartment.
Press down the lid (1) until it clicks shut (2).



- If you are using detergent in tablet form, read the manufacturer's recommendations on the packaging in order to determine where the tablets should be placed inside the dishwasher (e.g. in cutlery basket, detergent compartment, etc.).
Make sure that the lid on the detergent compartment is closed, even if you are using tablets.

auto 3in1

The use of so-called combined detergent products may make the use of rinse aid and/or salt unnecessary.

There are currently several types of combined detergent products available.

- **2in1:** They contain detergent and rinse aid **or** salt function.
- **3in1:** They contain detergent, rinse aid **and** salt function.
- **4in1:** They contain a detergent, rinse-aid, salt function **and** an additional glass protection component.

In addition, other combined products with a comparable effect are offered according to the manufacturer.

>>> Always check the type of detergent or combined product which you are using!

Always follow the operating instructions or the information on the packaging.

The rinse programme is automatically adjusted in order to obtain the best possible rinsing and drying result.

Observe the following important information if using combined cleaning products:

- Regeneration salt is not required up to a water hardness of 21° dH (37° fH, 26° Clarke, 3.7 mmol/l) only. No other settings on the appliance are required.
- Salt is still required if the water hardness is **above** 21° dH (37° fH, 26° Clarke, 3.7 mmol/l). Fill the salt dispenser with salt [24] and select setting 6 on the water softening system.

If in doubt, please contact the detergent manufacturer, especially if:

- the utensils are very wet at the end of the programme.
- limescale forms.



Note

Optimum rinsing and drying results can be obtained by using standard detergents in conjunction with separate application of salt and rinse aid.

Observance of the operating instructions or information on the packaging of the combined detergents determines their effectiveness.



Note

Even if the rinse aid and/or salt refill indicator is lit, the rinse programme runs correctly when 3in1 products are used.

If the rinse aid refill indicator [8] or salt refill [7] indicator is defective and you would like to switch it off, proceed as follows:

Switching the rinse aid refill indicator off and on

You can switch the rinse aid refill indicator [8] on or off. This function can be changed as follows.

- Hold down the programme button [3] and press the main switch [1] until the digital display lights up, then release the buttons. [4] is indicated on the digital display ↓ (rinse aid refill indicator on).
- By pressing the programme button [3], you can switch off ↓ or switch on ↑ the rinse aid indicator.
- Switch off the main switch [1]; the setting is saved.

Switching the salt refill indicator / water softening system off and on

- Hold down the programme button **B** and switch on the main switch **1**, then release the buttons.

The illuminated button **B** and the factory-set value *H4* on the digital display flash.

To change the setting: press the programme button **B**.

Each time the button is pressed, the set value increases by one; when the value *H7* is reached, the display jumps back to *H0* (the salt refill indicator / water softening system has been switched off).

- Switch off the main switch **1**. The set value is stored within the device.

Approx. 4 litres of water are required to regenerate the water softening system. As a result, the water consumption per rinse cycle increases by 0 to maximum 4 litres depending on the water hardness setting.

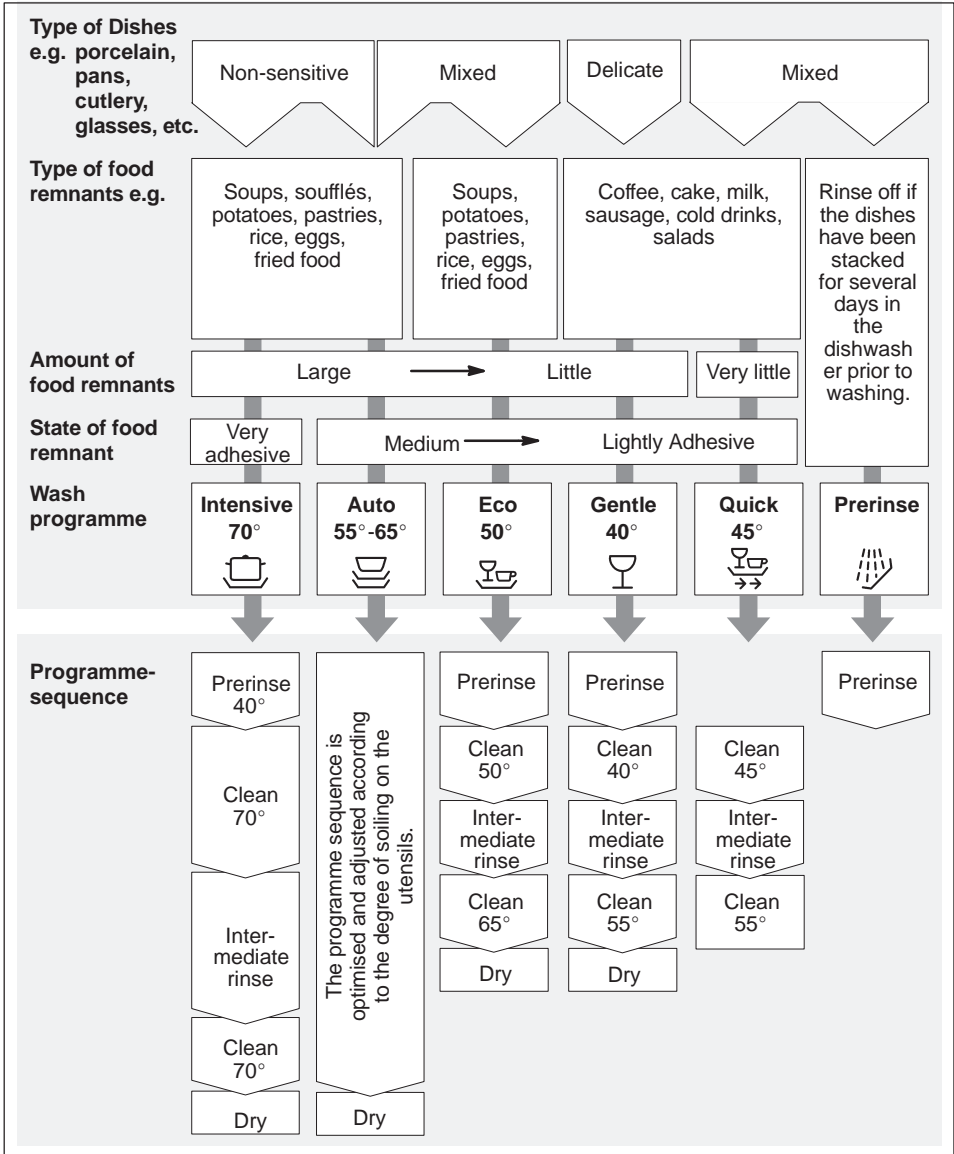


Note

If you use the detergent and rinse aid separately or switch from combined detergents to standard cleaning products, ensure that the rinse aid refill indicator has been switched on and the water softening system has been set to the correct water hardness.

Overview of programmes

The max. possible number of programmes is illustrated in this overview.
The corresponding programmes for your appliance can be found on the fascia.



Programme selection

The most appropriate programme can be identified by comparing the type of crockery, cutlery, etc., as well as the amount and condition of food remains, with the details contained in the programme overview.

You will find the appropriate programme information in the introduction.

Washing dishes



Reduce costs!

If only a small number of dishes have been loaded into the dishwasher, selecting a programme that operates at the next lowest temperature will usually suffice.

Programme data

The programme specifications can be found in the summary of instructions. Programme specifications refer to normal conditions. Greater deviations may occur due to:

- different amounts of dishes
- temperature of mains water supply
- pressure of mains water supply
- ambient temperature
- fluctuations in mains voltage
- machine-related factors (e.g. temperature, water volume, ...).

Energy and water consumption is reduced by up to 1/4 when dishes are washed in the upper basket only.

Water consumption values are based on a water hardness setting of 4.

Aqua sensor *

* some models

The Aquasensor is an optical measuring device (light barrier) which measures the turbidity of the rinsing water.

The Aqua sensor is used according to the programme. When the Aqua sensor is active, "clean" rinsing water may be transferred into the next rinsing bath and/or the temperature adjusted. If the turbidity is greater, the water is drained and is replaced with fresh water. In this way water consumption can be reduced by approx. 4 litres.

Switching the dishwasher ON

- Turn on the tap.
- Set main switch **1** to ON.
Indicators light up according to the last programme that was selected.
This same programme will run again if no other programme button **9** is pressed
- The numerical display **4** shows the expected duration of the programme.
- Close door.
The programme starts automatically.

Remaining running time display

When the appliance has started, the expected programme running time is displayed. The programmed running time is affected by the water temperature, the number of dishes, as well as the degree of soiling. If these conditions are changed, the running time (depending on the selected programme) can vary greatly. As the effect is not detected until a programme is running, the time may be longer or shorter than expected.

Time delay *

* on applicable models

You can delay the start of the programme in 1-hour steps up to 19 hours.

- Switch on the appliance.
- Press the timer programming button **3** until the digital display **4** jumps to **1h**.
- Keep pressing the timer programming button until the required time is displayed.
- To delete the timer programming, keep pressing the button until **0h** is displayed.
You can change your programme selection at any time until the programme starts.

End of programme

The end of the programme is indicated by a buzzer. This function can be changed as follows:-

- Hold down Function button **C** pressed and switch on main switch **1**, then let the buttons go.

Function Button **C** flashes, and the digital display indicates the value **2** which was set at the factory (semi-loud).

To change the setting:

Press Function button **C**.

Each depression of the button increases the set value by one, when **3** is reached, the display jumps back to **0** (off).

- Switch off the main switch **1**.
The set value is stored in the appliance.

Switching the dishwasher OFF

Several minutes after the programme has ended:

- Open the door when the programme has ended.
- Set main switch **1** to OFF.
- Turn the water tap off.
(Does not apply when Aqua-Stop unit has been fitted)
- Remove dishes, etc. when they have cooled down.

Interrupting the programme

- Open the door. Caution! There is a risk of water squirting out from inside the appliance. Do not open the door fully until the spray arm has stopped rotating.
- Set main switch 1 to OFF.
- Indicator lights extinguish. The programme is retained in the dishwasher memory.

If the hot water was switched ON or the appliance has already heated up and then the appliance door opened, leave the door ajar for several minutes and then close. Otherwise, the appliance door may fly open due to expansion.

- In order to continue with the stored programme, set the main switch to ON again and close the door.

Terminating the programme (Reset)

- Simultaneously press programme buttons A and C for approx. 3 sec.

The numerical display indicates .

- Close the door.

The programme sequence lasts approx. 1 min.

- Switch off the main switch 1.

Changing the programme

When the appliance is switched on, the programme can be changed within minutes.

If the programme is changed subsequently, programme sections (e.g. Cleaning) which have already started run to the end. The new remaining time consists of the remaining time of the previous programme section and the remaining time of the newly selected programme.

Intensive drying

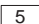
In the final rinse the appliance operates at a higher temperature and therefore an improved drying result is obtained. (Caution if utensils are fragile!)

- Hold down programme button A and press main switch until 1 the digital display illuminates.
- Release both buttons.

The LED for button A flashes and the digital display 4 displays the factory setting (off) or (on).

- To change the setting, press programme button A.
- Switch off the main switch 1.

Additional functions

* on some models additional functions  can be set with the buttons.

Saving time (VarioSpeed) *

The >>Save time<< function can reduce the running time by approx. 20% to 50% depending on the selected rinse programme. The particular change in the running time is indicated on the time remaining display. To obtain optimum cleaning and drying results at a reduced running time, water and energy consumption are increased.

Half load*

If you have only a few items to wash (e.g. glasses, cups, plates), you can switch to "Half load". The "half load" additional function saves water, energy and time. It is recommended to put a little less detergent in the detergent dispenser than for a full load.

Maintenance and care

A regular inspection and maintenance of your machine will help to prevent faults. This saves time and prevents problems.

Overall condition of the machine

- Check washing chamber for grease and limescale deposits.

If you find such deposits:

- Fill the detergent dispenser with detergent, start the appliance without utensils in the programme which has the highest wash temperature.

Clean the appliance with detergents/ appliance cleaners which are particularly suitable for use with dishwashers.

- Regularly wipe the door seal with a damp cloth.

Never use a steam cleaner to clean your dishwasher. The manufacturer is not liable for any consequential damage.

Regularly wipe the front of the appliance and panel with a damp cloth; water and a little washing-up liquid will suffice.

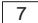
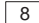
Do not use sponges with a rough surface or abrasive detergents, as these could scratch the surfaces.



Attention!

Never use other chlorinated household detergents! Health hazard!

Salt and rinse aid

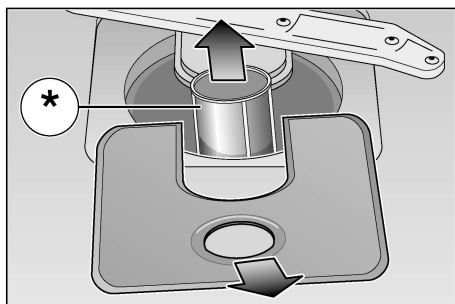
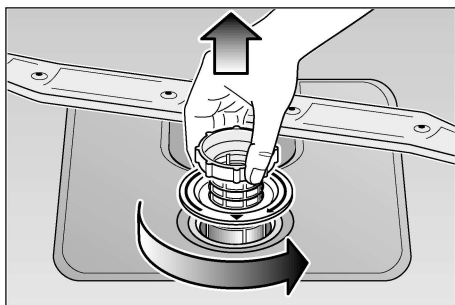
- Check the refill indicators  . If required, top up the salt and/or rinse aid.

Filters

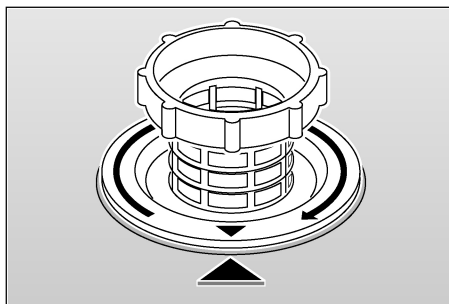
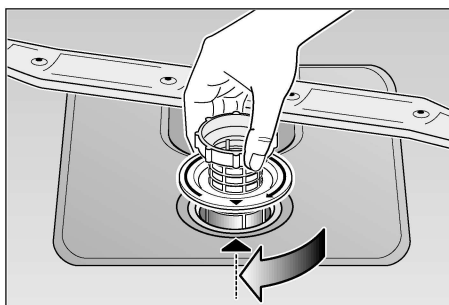
The filters [25] prevent larger remnants of food or other objects from getting inside the pump. This residue can occasionally clog up the filters.

The filter system consists of a filter cylinder, a flat fine filter and, depending on the model, a microfilter (*).

- Inspect the filters for obstructions every time the dishwasher has been used.
- By unscrewing the filter cylinder, you can remove the filter system. Remove any food remnants and clean the filters under running water.



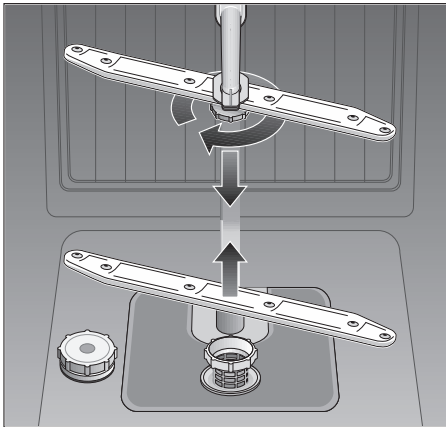
- Reassembly:
Insert the filter system and screw down with the filter cylinder.



Spray arms

Lime and remnants of food in the washing water can block the nozzles in the spray arms [22] and [23] and the arm mountings .

- Inspect the nozzles in the spray arms for blocked holes due to remnants of food.
- If necessary, pull the lower arm [23] upwards and lift it off.
- Unscrew the upper spray arm [22] .
- Clean both spray arms under running water.



- Refit the spray arms. Ensure that the lower arm has locked into place and the upper one is screwed tight.

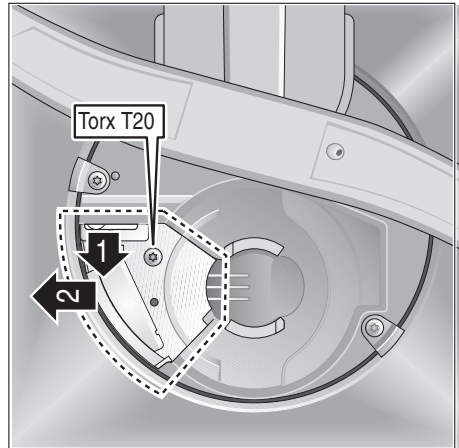
Pump *

* on applicable models

Larger remnants of food that have not been trapped by the filters and have been left in the water can cause a blockage in the pump. The water is no longer pumped out of the dishwasher and it can be seen covering the filter.

Proceed as follows:

- First, always disconnect the appliance from the power supply.
- Ladle out as much water as possible.
- Remove the filters [25] .
- Undo the screw in the cover (Torx T 20) and remove the cover.
- Inspect the inside and remove any obstructions that you find.
- Re-insert the cover and screw down.
- Re-insert the filters and screw down.



Fault finding

Resolving minor problems yourself

Experience has shown that you can resolve most problems that arise during normal daily usage yourself, without having to call out a service engineer. Not only does this save costs, but it also means that the appliance is available for use again that much sooner. The following list of common occurrences and their remedies should help you identify the causes of most problems.

Problems ...



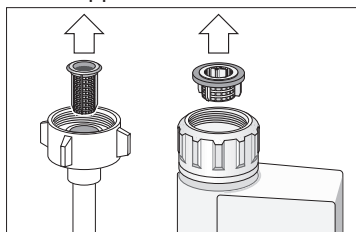
Attention

Remember: Repairs may be carried out by a technician only. If a component has to be replaced, ensure that only original spare parts are used. Improper repairs or use of non-original spare parts may cause considerable damage and put the user at considerable risk.

... when the appliance is switched on

- **The appliance does not start.**
 - The mains fuse has tripped.
 - The appliance plug has not been inserted.
 - The appliance door has not been shut properly.
 - The tap has not been turned on.
 - The filter on the water supply hose is blocked.

Switch off the appliance and pull out the mains plug. Turn off the tap. Then clean the filter which is situated at the connection of the supply hose. Finally, restore the power, turn on the tap and switch on the appliance.



... with the appliance itself

- **Lower spray arm rotates with difficulty**
 - Spray arm is blocked by small items or food remains.
- **Lid in detergent compartment cannot be closed**
 - Detergent compartment has been overfilled.
 - Mechanism is clogged with remnants of detergent. Indicator lamps do not extinguish after washing has finished.
- **Indicator lamps do not extinguish after washing has finished**
 - Main switch is still set to ON.

- **“Check water supply” display 6 lights up.**
 - Tap turned off.
 - Water supply interrupted.
 - Filter in the water supply blocked.
 - Supply hose kinked.
- **Remnants of detergent stuck inside dispenser**
 - Compartment was damp when it was filled up with detergent. Compartment must be dry before detergent is added.
- **Refill display does not light up.**
 - Rinse aid refill indicator switched off. (see auto 3in1 chapter)
 - Salt refill indicator switched off. (see auto 3in1 chapter)
- **Water remains inside appliance after programme has ended**
 - Blockage or kink in drainage hose.
 - Pump is jammed.
 - Filters are blocked.
 - The programme is still running. Wait for the programme to end (numerical display will indicate 0).
 - Perform “Reset” function.

... during washing

- **Unusual amount of foam is created**
 - Normal washing up liquid has been poured into the rinse-aid container.
 - Remove any spilled rinse aid with a cloth as it could otherwise lead to excessive foaming during the next washing cycle.
- **Appliance stops suddenly while washing is taking place**
 - Cut in electricity supply to appliance.
 - Water supply has been interrupted.


- **Knocking sound can be heard while washing is taking place**
 - A spray arm is knocking against the dishes inside the appliance.
- **Rattling sound can be heard while washing is taking place**
 - Crockery has not been stacked properly inside the appliance.
- **Knocking sound coming from inlet valves**
 - This is caused by the way the water pipes have been laid and it has no effect upon the way the appliance functions. There is no remedy for this.

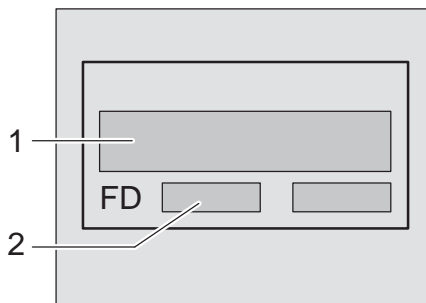
... with the dishes, cutlery, etc.

- **Remnants of food are stuck to the dishes, cutlery, etc.**
 - Dishwasher was not loaded properly. Jets of water could not reach all parts of the dishes, etc.
 - Too many items in the rack.
 - Items in the rack were touching each other.
 - Not enough detergent was added to dispenser.
 - Selected wash programme was not intensive enough.
 - Rotation of spray arm was obstructed by dish, etc.
 - Nozzles in spray arm are blocked by remnants of food.
 - Filters are blocked.
 - Filters have been incorrectly fitted.
 - Waste-water pump is jammed.
- **Plastic items are discoloured**
 - Not enough detergent was added to dispenser.
- **White stains are left on crockery, glasses have a milky appearance**
 - Not enough detergent was added to input compartment.
 - Amount of rinse-aid was set too low.

- Although water is quite hard, no salt has been put in appliance.
- Water softener was set too low.
- Lid on salt container is not screwed tight.
- If you used a phosphate-free detergent, try a detergent containing phosphates and compare results.
- **Dishes, cutlery, etc. have not been dried**
 - Selected programme did not include drying function.
 - Amount of rinse-aid was set too low.
 - Items were removed from dishwasher too soon.
- **Glasses have a dull appearance**
 - Amount of rinse-aid was set too low.
- **Tea stains or traces of lipstick have not been completely removed**
 - Detergent does not have a sufficient bleaching effect.
 - Washing temperature was set too low.
- **Traces of rust on cutlery**
 - Cutlery is not sufficiently rustproof.
 - Salt content in washing water is too high.
 - Lid on salt container is not screwed tight.
 - Too much salt was spilt while filling container.
- **Glasses become clouded and discoloured; coating cannot be wiped off**
 - Unsuitable detergent was used.
 - Glasses are not dishwasher-proof.
- **Smears left behind on glasses and cutlery; glasses have acquired a metallic appearance**
 - Amount of rinse-aid set too high.

Customer Service

Please call your local service agent, if you are not able to resolve any problem yourself. The name of your nearest service agent is shown in the Customer Service address list. When you call, please provide details of the model number (1) and the production (FD) number (2) which are shown on the nameplate  on the appliance door.



Attention

Please note that a visit by the customer service technician in the event of a fault or one of the problems previously discussed is not free of charge even during the warranty period.

Information

Notes on comparison tests

You will find details of the conditions for the comparison tests on the additional "Notes on comparison tests" sheet. The consumption values for the relevant programmes are given in the introduction.

General

- Built-under and integrated appliances which are subsequently installed as free-standing appliances must be secured to prevent them from falling over, e.g. by screwing them to the wall or by installing them under a continuous worktop which is screwed to the adjoining units.
- For Swiss version only:
The appliance can be installed without difficulty between wooden and plastic walls in a kitchen range. If the appliance is not connected via a plug, the installation side must feature an all-pole disconnecter with a contact gap of at least 3 mm in order to satisfy the relevant safety regulations.

Installation

The dishwasher must be connected by a qualified technician to ensure correct operation. The specifications for supply, drainage and connected load must fulfil the required criteria as stated in the following paragraphs or in the installation instructions.

Install the appliance in the following sequence:

- Check the delivery
- Install the appliance
- Connect the waste water
- Connect the fresh water
- Connect the power supply

Delivery

Your dishwasher was checked at the factory to ensure that it was in perfect working order. This may have left some small water stains in the dishwasher. These will disappear after the first rinse cycle.

Installation

The required installation dimensions can be found in the installation instructions. Using the height-adjustable feet, adjust the appliance until it is level. Ensure that the appliance is standing firmly.

Waste water connection

See the installation instructions for the required connection steps. If required, attach a siphon with drainage spigot. Using the enclosed parts, connect the waste water hose to the drainage spigot of the siphon.

Ensure that the drainage hose is not kinked, crushed or twisted (ensure that there is no sealing cover which prevents the waste water from flowing away!).

Fresh water connection

Using the enclosed parts, connect the fresh water connection to the tap according to the installation instructions. Ensure that the fresh water connection is not kinked, crushed or twisted.

When replacing the appliance, always connect a new water supply hose to the water supply. The old supply hose must not be re-used.

Water pressure:

Minimum 0,05 MPa (0,5 bar) – maximum 1 MPa (10 bar).

If the water pressure is higher, install a pressure reducing valve.

Flow rate:

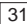
Minimum of 10 litres per minute.

Water temperature:

We recommend that you use cold water. If you do use hot water, the temperature should not exceed 60 °C.


Electrical connection

Connect the appliance only to 230 V alternating current via a correctly installed socket with protective conductor.

See rating plate for required fusing .

The socket must be attached near the dishwasher and be freely accessible.

The connection may be modified by an electrician only.

Use only a residual-current-operated circuit-breaker which features the  symbol. Only this circuit breaker guarantees compliance with the currently valid regulations.

Removing the appliance

It is essential, when removing the appliance, to observe the following sequence: First, disconnect the appliance from the power supply.

Pull out the mains plug.

Turn off the water supply.





Disconnect the waste water and fresh water connections.

Loosen the fastening screws under the worktop. If fitted, remove the base panel.

Pull out the appliance, carefully pulling the hose behind.

Transporting the dishwasher

Drain water from the dishwasher. Secure all loose parts. The appliance should only be transported in an upright position.

- If the appliance is not kept upright during transport, any water left inside may seep into the control module and cause subsequent errors with programme functions.
- The appliance must be drained in the following sequence:
 - Turn on the tap.
 - Set main switch to ON.
 - Select the  programme. The programme duration in minutes is shown in the numerical display.
 - Close the door.
 - Wait for approximately 4 minutes.
 - Terminate the programme by pressing  and  simultaneously.
 - The time display changes to .
 - Close the door.
 - Wait a further minute and then switch the appliance off.
 - Turn off the tap.

Protection from freezing temperatures

If the appliance is installed in a location where there is a risk of freezing temperatures (e.g. in a holiday home), all water must be completely drained out of the interior (see "Transporting the dishwasher").

Turn OFF the tap, disconnect the supply hose and allow to drain.

Waste disposal

Disposal

Old appliances are not worthless rubbish. Valuable raw materials can be reclaimed by recycling old appliances.

Pull out the mains plug of the redundant appliance. Cut off the power cord and discard with mains plug.

To prevent children from locking themselves in the appliance and suffocating, destroy the door lock and childproof lock (if fitted).

You received your new appliance in a protective shipping carton. All packaging materials are environmentally friendly and recyclable.

Please contribute to a better environment by disposing of packaging materials in an environmentally-friendly manner. All plastic parts of the appliance are identified by internationally standardised symbols (e.g. >PS< polystyrene).

When the appliance is being disposed of, the plastic waste can be sorted for environmentally-friendly recycling.

Please ask your dealer or inquire at your local authority about current means of disposal.

Disposal of the packaging

- Please dispose of the packaging material in an environmentally friendly manner.
Keep children away from shipping carton and packaging components. Danger of suffocation from folding cartons and plastic film.
 - Corrugated cardboard consists mainly of wastepaper.
 - The moulded polystyrene parts do not contain any chlorofluorohydrocarbons.
 - The polyethylene film (PE) consists partly of secondary raw materials.
 - The wooden frames (if fitted) are made of untreated residual wood.
 - The hoops (if fitted) consist of polypropylene (PP).

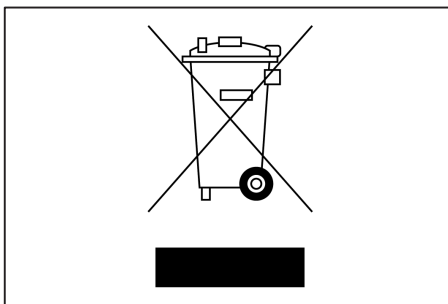
Disposal of redundant appliances

- Make redundant appliances unusable to prevent subsequent accidents.
- Dispose of the appliance in an environmentally friendly manner.



Warning

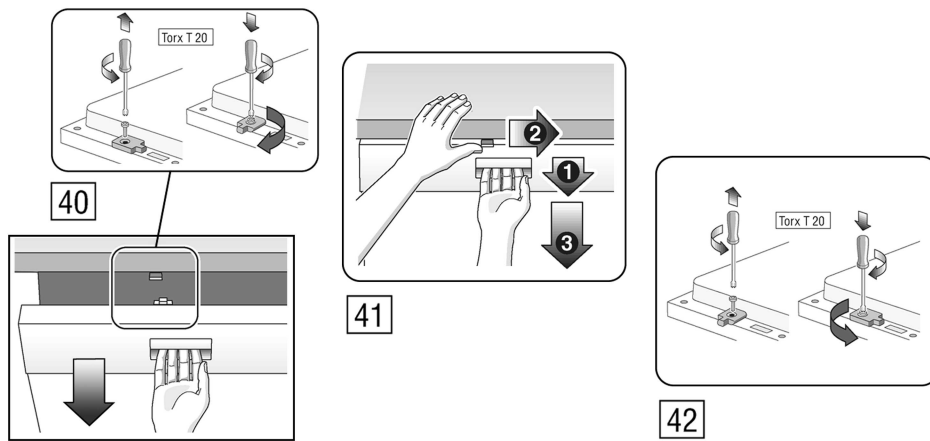
Children could become locked in the appliance (risk of suffocation) or find themselves in other dangerous situations. Therefore: Pull out the mains plug, sever and dispose of the power cord. Destroy the door lock so that the door can no longer be closed.



This appliance is labelled in accordance with European Directive 2002/96/EG concerning used electrical and electronic appliances (waste electrical and electronic equipment – WEEE). The guideline determines the framework for the return and recycling of used appliances as applicable throughout the EU.

en Subjekt to modification

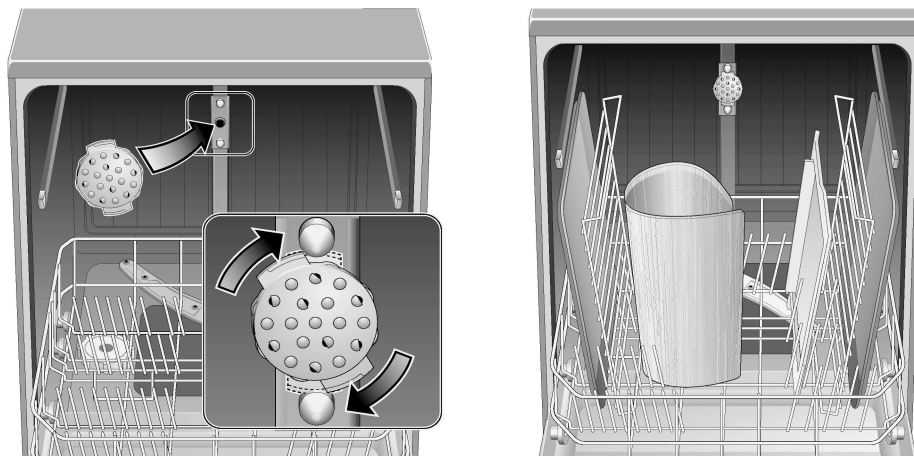
Child-proof lock *



- 40 Switch on the child-proof lock
- 41 Open the door with child-proof lock switched on
- 42 Switch off the child-proof lock

When the door is open, the child-proof lock offers no protection.

Baking sheet spray head *



Large sheets or grilles and plates which have a diameter greater than 30 cm (gourmet plates, pasta plates, dinner plates) can be cleaned with the aid of the spray head. To do this, remove the top basket and insert the spray head as illustrated in the diagram.

To ensure that the spray jet can reach all parts, arrange the baking sheets as illustrated (max. 4 baking sheets and 2 grilles).

Never operate the dishwasher without the top basket or baking sheet spray head!

* some models

ATAG

Kundendienst

TGK Ges.m.b.H.
1220 Wien, Obachgasse 8
Telefon 01/25 98 018
Telefax 01/25 98 044
E-mail: tgk@vienna.at

Vertrieb

TGV Technische Geräte-Vertrieb Ges.m.b.H.
1220 Wien, Obachgasse 8
Telefon 01/25 98 052
Telefax 01/25 98 044
E-mail: kuechentechnik@tgv.at

9000 256 715 en (8605)
630i