

Instructions for use
Refrigerator

ATAG

KA2512AD

We thank you for the confidence you have shown by purchasing our appliance which is designed to simplify your life. To make the use of the product easier, we have supplied detailed instructions for use, and installation instructions supplied on a separate sheet. The instructions should allow you to learn about your new appliance as quickly as possible.

We wish you find a lot of pleasure in its use.

The appliance is intended solely for household use.

The refrigerator is intended for storing fresh food at temperatures above 0°C.

Please visit our website where you can enter your appliance model number, indicated on the rating plate or the warranty sheet, to find detailed description of your appliance, tips on use, troubleshooting, service information, instructions for use etc.

TABLE OF CONTENTS

Introduction

Safety instructions	4
Advice for saving energy with refrigeration appliances	11
Installation and connection	12
Changing the door opening direction	17

Appliance description

Appliance description	19
Operating the appliance	20
Appliance interior equipment	25
Recommended distribution of food in the appliance	29

Storing and freezing food

Storing food in the refrigerator	30
----------------------------------	----

Defrosting and cleaning the appliance

Defrosting the appliance

Cleaning the appliance	32
------------------------	----

Other

Troubleshooting	33
Information about appliance noise	35

Safety instructions



Before using the appliance for the first time

Before connecting the appliance to the power mains, please read carefully the instructions for use which describe the appliance and its correct and safe use. The instructions apply to several appliance types/models; thus, settings or equipment may be described herein which is not available in your appliance. We recommend saving this instruction manual for future reference and attach it to the appliance if it is sold in the future.

Check for any damage or irregularities on your appliance. If you find your appliance is damaged, notify the retailer from which you have purchased the appliance.

Before connecting the appliance to the power mains, let the appliance rest in a vertical position for a minimum of 2 hours. This will reduce the possibility of operation faults due to the effect of transport on the cooling system.



WARNING! Risk of fire/flammable materials.



Safety instructions

The appliance must be connected to the power mains and grounded in compliance with the effective standards and regulations.

WARNING! Do not locate multiple portable socket-outlets or portable power supplies at the rear of the appliance.

Before cleaning the appliance, unplug it from the power mains (unplug the power cord from the wall outlet).

WARNING! If the supply cord is damaged, it must be replaced by the manufacturer, its service agent or similarly qualified persons in order to avoid a hazard.

WARNING! When positioning the appliance, ensure the supply cord is not trapped or damaged.

If LED lighting does not work, call a service technician. Do not attempt a repair of the LED lighting yourself, as there is danger of contact with high voltage!



WARNING! Do not use any electric devices inside the appliance, except for those allowed by the manufacturer of this refrigeration appliance.

WARNING! Do not use mechanical devices or other means to accelerate the defrosting process, other than those recommended by the manufacturer.

WARNING! To avoid any hazard resulting from poor stability of the appliance, make sure it is installed as instructed.

Danger of frostbite

Never put frozen food in your mouth and avoid touching frozen food as this may cause frostnip or frostbite.

Safety of children and vulnerable persons

The appliance is not intended for use by persons (including children) with reduced physical, sensory or mental capabilities, or lack of experience and knowledge, unless they have been given supervision or instruction concerning use of the appliance by a person responsible for their safety.

Children should be supervised to ensure that they do not play with the appliance.

Cleaning and user maintenance shall not be made by children without supervision.

Cleaning and user maintenance shall not be made by children without supervision.

When removing a used appliance, disconnect the power cord, remove the door, and leave the shelves in the appliance. This will prevent children from locking themselves in the appliance.

For European markets only

This appliance can be used by children aged from 8 years and above and persons with reduced physical, sensory or mental capabilities or lack of experience and knowledge if they have been given supervision or instruction concerning use of the appliance in a safe way and understand the

hazards involved.

Children shall not play with the appliance.

Cleaning and user maintenance shall not be made by children without supervision.

Children aged from 3 to 8 years are allowed to load and unload refrigerating appliances.

Warning regarding the refrigerant

The appliance contains a small amount of an environmentally friendly yet flammable gas R600a. Make sure that no parts of the cooling system are damaged. A gas leak is not hazardous to the environment, but it could cause eye injury or fire.

In case of a gas leak, ventilate the room thoroughly, disconnect the appliance from the power mains, and call a service technician.

Important information on the use of appliance

WARNING! This appliance is intended to be used in household and similar applications such as:

- staff kitchen areas in shops, offices and other working environments;
- farm houses and by clients in hotels, motels and other residential type environments;
- bed and breakfast type environments;
- catering and similar non-retail applications.



WARNING! Keep ventilation openings, in the appliance enclosure or in the built-in structure, clear of obstruction.

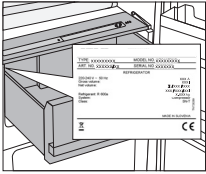
The appliance may not be used outdoors and it may not be exposed to rain.

Do not store explosive substances such as aerosol cans with a flammable propellant in this appliance.

If the appliance will be out of use for an extended period of time, switch it off using the relevant button, and unplug it from the power mains. Empty the appliance, defrost it, clean it, and leave the door ajar.

In case of an error or power supply failure, do not open the freezer compartment unless the freezer has not operated for over 16 hours. After this period, use the frozen food or provide sufficient cooling (e.g. a replacement appliance).

Technical information on the appliance



The rating plate can be found in the appliance interior (see figure). It indicates data on voltage, gross and net volume, type and amount of refrigerant, and the climate classes.



Environment protection

The packaging is made of environmentally friendly materials that can be recycled, disposed of, or destroyed without any hazard to the environment.

Removing an obsolete appliance

To protect the environment, take the obsolete appliance to an authorized home appliance collection centre.

Before doing so, do the following:

- disconnect the appliance from the power mains;
- do not allow children to play with the appliance.



WARNING! Do not damage the refrigerant circuit. This will also prevent pollution.



The symbol on the product or its packaging indicates that the product should not be treated as normal household waste. The product should be taken to an authorized collection centre for waste electric and electronic equipment processing. Correct disposal of the product will help prevent any negative effects on the environment and health of people which could occur in case of incorrect product removal. For detailed information on removal and processing of the product, please contact the relevant municipal body in charge of waste management, your waste disposal service, or the store where you bought the product.

Advice for saving energy with refrigeration appliances

- Install the appliance as specified in the instruction manual.
- Do not open the door more often than necessary.
- Occasionally make sure air circulation underneath the appliance is unobstructed.
- Condenser unit on the rear wall should be kept clean (see chapter 'Cleaning the Appliance').
- If the gasket is damaged or does not provide a perfect seal for any reason, have it replaced as soon as possible.
- Store the food in tightly sealed containers or appropriate packaging.
- Before placing the food in the refrigerator, allow it to cool down to room temperature.
- Defrost frozen food in the refrigerator compartment.
- Make sure the layout of shelves in the compartment is uniform and that the food is placed so that the air can freely circulate in the appliance interior (observe the recommended placement of food as described in the instructions).
- In appliances with a fan, do not block the fan slots or vents.
- The lower the temperature is set the higher the energy consumption will be.

INTRODUCTION

Installation and connection

Selecting the room

- Install the appliance in a dry and well ventilated room. The appliance will operate correctly if the environment temperature is in the interval specified in the table. The appliance class is indicated on the rating plate / label with the basic information of the appliance.

Class	Temperature	Relative Humidity
SN (subnormal)	from +10 °C to +32 °C	≤75%
N (normal)	from +16 °C to +32 °C	
ST (subtropical)	from +16 °C to +38 °C	
T (tropical)	from +16 °C to +43 °C	



Do not place an appliance in a room where temperature can drop to below 5 °C as this may cause abnormal appliance operation or failure!

Note: Place the appliance in a sufficiently large room. There should be at least 1 m³ of space per 8 grams of refrigerant. Amount of refrigerant is indicated on the rating plate in the appliance interior.

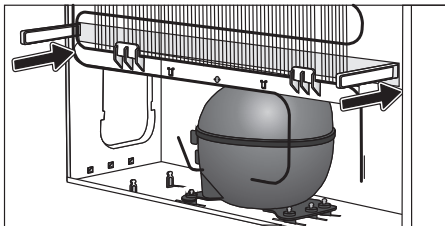
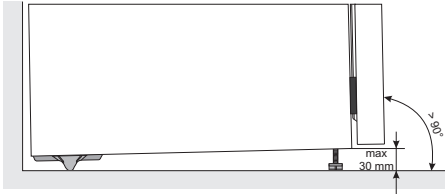
- At the base of the kitchen unit intended for building in the integrated appliance, there should be at least 200 cm² free space, for adequate air circulation.

On the upper part of the appliance the air is coming out, so try not to cover the opening for the outflow air. Ignoring this caution may result in damage to the appliance.

INTRODUCTION

Installing the appliance

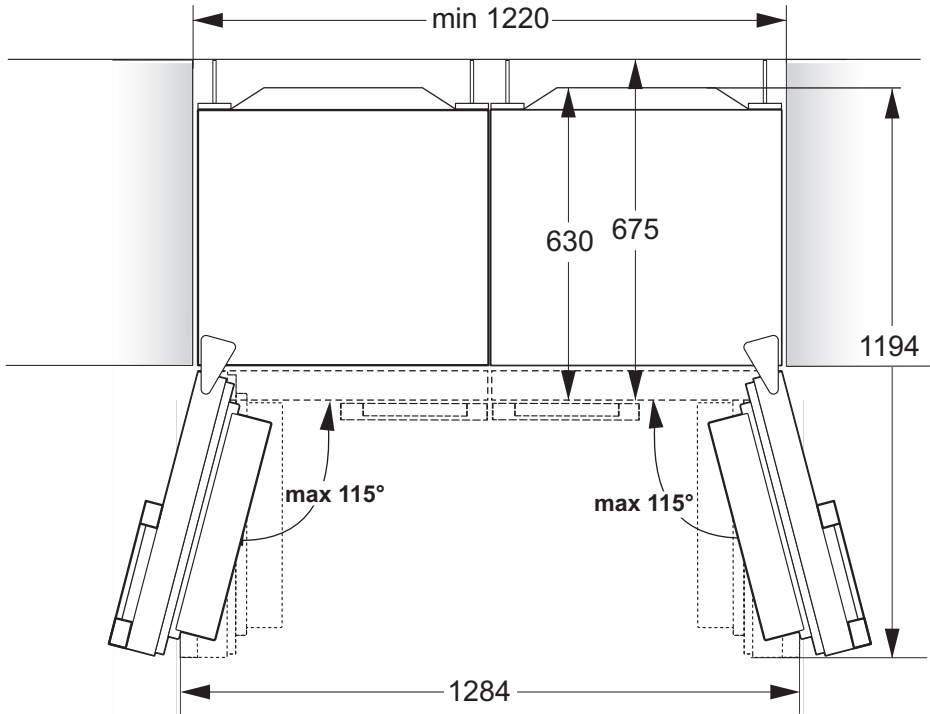
Appliance installation should be carried out by at least two persons to avoid any physical injury or damage to the appliance.



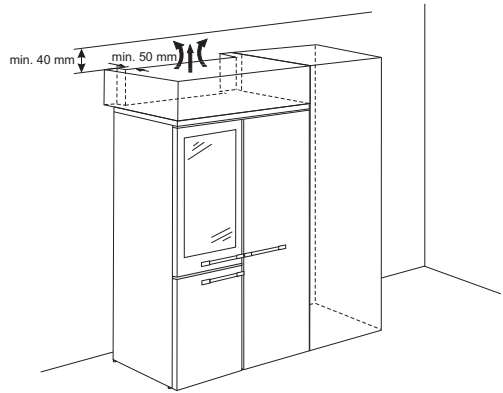
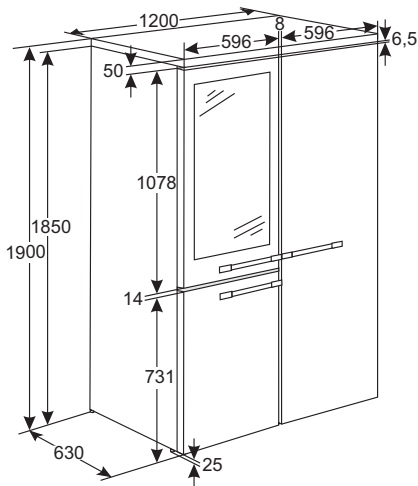
- Spacers are fitted on the corners of the doors. Remove them.
- The appliance must stand level or tilted slightly to the back, stable on a solid base. At the front, the appliance is fitted with two adjustable legs that can be used to level the appliance. At the rear side, casters allow for easier installation of the appliance (only with some models).
- There should be a clearance of at least 5 cm between the appliance and any cupboard installed above it, in order to allow adequate cooling of the condenser unit.
- The appliance is supplied with two spacers which should be installed on the lower part of the housing to prevent from pushing the appliance too close to the wall. Appliance may also be installed without the spacers; however, this may increase power consumption.
- Do not expose the appliance to direct sunlight and do not place it near any source of heat. If this cannot be avoided, install an insulation panel.

INTRODUCTION

- The appliance may stand alone or it may be placed next to a cupboard or a wall. Consider the clearance required to fully open the door in order to allow pulling out the drawers and shelves (see installation diagram).



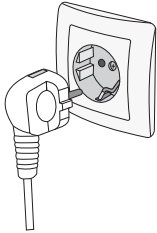
INTRODUCTION



Side-by-side installation: We recommend leaving the side-by-side installation of two appliances to a service technician. If you decide to do this yourself, observe the instructions supplied with the side-by-side installation kit.

INTRODUCTION

Connecting the appliance



- Connect the appliance to the power mains using the power cord. The wall outlet should be fitted with a ground contact (safety socket). Nominal voltage and frequency are indicated on the rating plate/label with basic information of the appliance.
- The appliance must be connected to the power mains and grounded in compliance with the effective standards and regulations. The appliance will withstand short-term deviations from the nominal voltage, but not more than $\pm 6\%$.

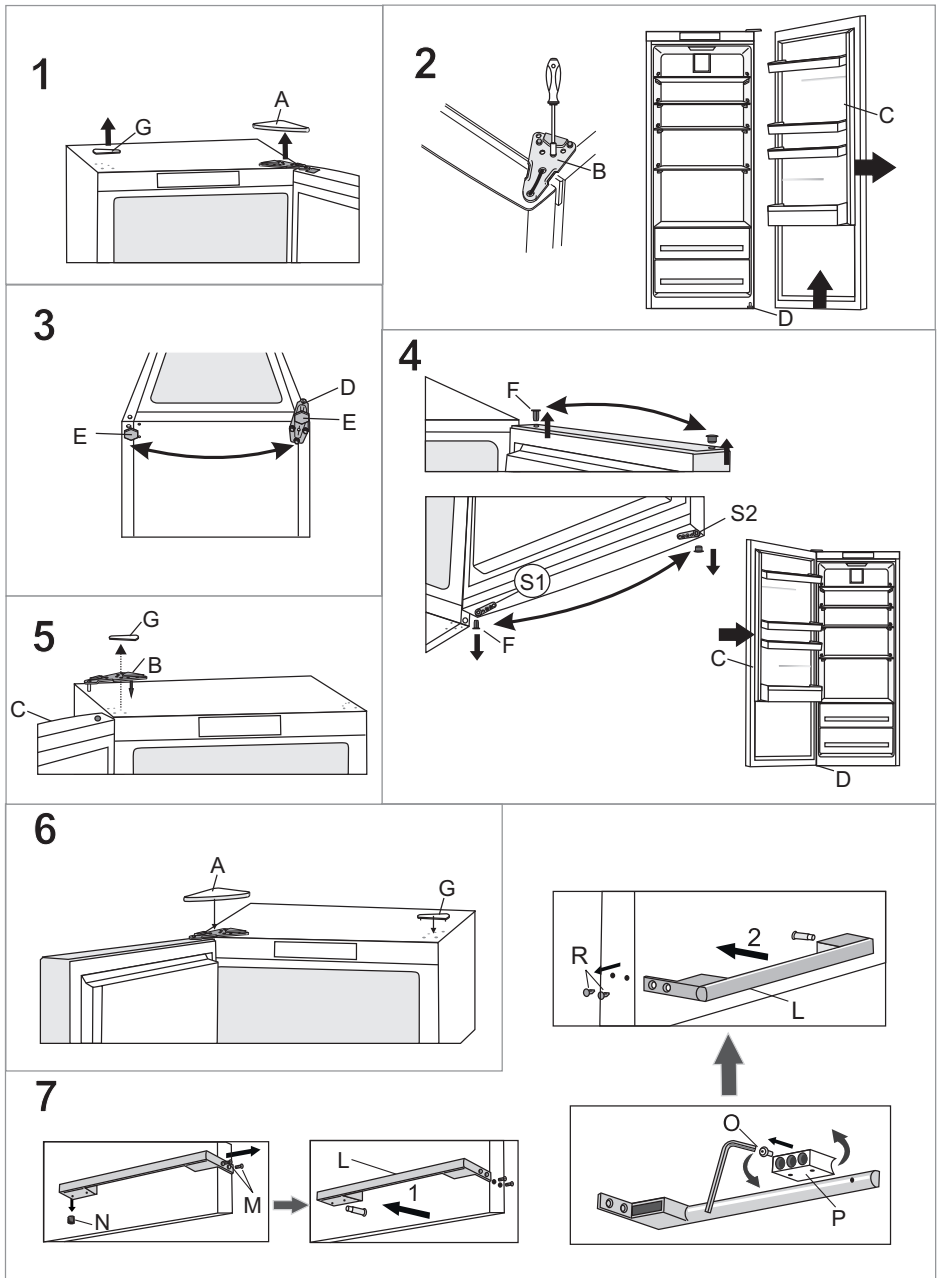
Changing the door opening direction

Tools required: socket wrench No. 8, Phillips screwdriver, torx 25, Hex key No. 4 and flat screwdriver.

The procedure to change the door opening direction should be carried out by at least two persons.

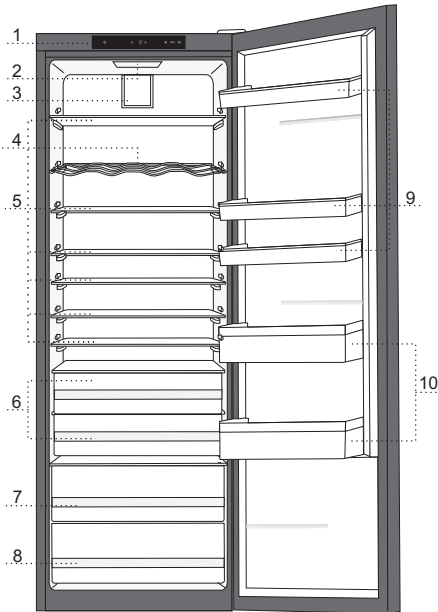
1. Remove the upper hinge cover (A) and the covering cap (G).
2. Undo the upper hinge (B) and remove the door (C) from the lower hinge (D).
3. Tilt the appliance backwards (make sure you do not press against the condenser unit on the rear wall of the appliance as this may damage the cooling system), unscrew the lower hinge (D) and the foot (E), and move them to the opposite side. Make sure the washer is installed like it was before disassembly.
4. Move the door hinges (F) to the opposite side, remove the door stopper S1 and attach the door stopper S2 supplied in a bag with the instruction manual. Place the door (C) back on the lower hinge (D).
5. Use the screws to attach the upper hinge (B) on the opposite side.
6. Install the upper hinge cover (A) and the covering cap (G).
7. Place the handle (L): undo the side screws (M) and the (N) screw in the handle holder. Take care not to damage the door. Pull the handle in the direction of the arrow. Disassemble the handle (L): undo the screw (O), turn the handle holder (P) by 180° and reattach it using the screw. On the opposite side of the door, remove the cover plugs (R) and replace the handle (L) in the direction of the arrow 2. Reattach the handle using the screws (M) and (N). Place the covering plugs/caps (R) on the opposite side of the door.

INTRODUCTION



APPLIANCE DESCRIPTION

Appliance description

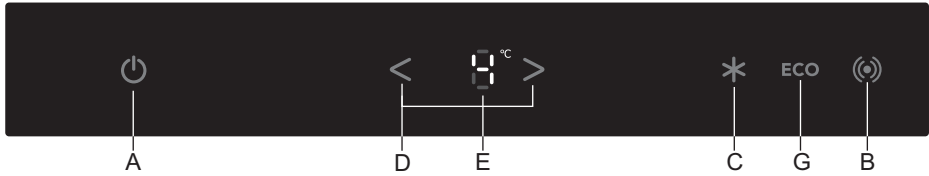


1. Control unit
2. LED lighting
3. Fan
4. Bottle rack
5. Glass shelves
6. Upper drawers
7. Fruit and vegetable drawer with humidity control
8. Fruit and vegetable drawer
9. Door balconies
10. Bottle balcony

- The drawers are protected against pulling out. To remove a drawer from the appliance, open it, then lift the front part and pull it out.

APPLIANCE DESCRIPTION

Operating the appliance



- A Appliance on/off key
- B Acoustic alarm key and key for child safety lock on/off
- C Intensive cooling (boost) function on/off key
- D Temperature setting keys
- E Temperature display
- G ECO function on/off key

Switching the appliance on/off

Switching the appliance on: Press the A key.

Switching off the appliance: Again press the A key and hold it for 3 seconds. The appliance will be off, but there is still voltage in it as it is still connected to the power mains.



APPLIANCE DESCRIPTION

Adjusting the temperature in the appliance

- After the appliance is switched on, it may take several hours for the set temperatures to be reached. Do not place any food into the refrigerator before the temperature drops to the selected setting.
- To set the temperature in the refrigerator compartment, use the keys.
 - < lower temperature;
 - > higher temperature
- The temperature in the refrigerator compartment can be set in the range from +1 °C to +9 °C.



- The temperature in the refrigerator compartment cannot be higher than the temperature of the room in which the appliance is installed!
- After one of the D keys is pressed, the most recent temperature setting will flash on display E. With each subsequent press of the key, the temperature will be either increased or decreased by one degree. Three seconds after the last key was pressed, the most recent temperature setting is stored.
- The recommended temperature setting for the refrigerator compartment is 4°C.

APPLIANCE DESCRIPTION

Intensive cooling (boost) function

- Use this setting after switching on the appliance for the first time, before cleaning, or 24 hours before adding a large amount of food.

To activate the intensive cooling (boost) function, press the **C** key. **C** will appear on display **E**.



- When the intensive cooling function is activated, the appliance will operate with maximum power. During this time, operation may be somewhat louder.
- If any other function is selected while the intensive cooling function is active, the intensive cooling function will be deactivated immediately.
- To switch off the intensive cooling function, press the **C** key or any other key. If the intensive cooling function is not deactivated manually, it will be automatically switched off (after approximately six hours), and the temperature will return to the most recently set value.

APPLIANCE DESCRIPTION

High temperature alarm

If the temperature inside the appliance is too high, an acoustic alarm will be activated (intermittent tone) and the **B** key and the temperature settings in display **E** will flash.

- When the appliance is switched on for the first time, there is a 24-hour delay in temperature alarm operation as it takes some time for appliance to reach the adequate temperature. Thus, unnecessary activation of the alarm is prevented.
- To acknowledge and turn off the acoustic alarm, press the **B** key. Pressing a key briefly to acknowledge the alarm will not change the appliance settings.
- If the alarm is not deactivated manually, it will be sounded for the first five minutes of every hour.
- The alarm will be switched off automatically as soon as the temperature in the appliance drops to a level that no longer presents spoilage hazard.

Open door alarm

If the refrigerator door is open for more than two minutes, an acoustic alarm will be activated and the **B** key will flash.

- To acknowledge and turn off the acoustic alarm, close the door or press the **B** key.

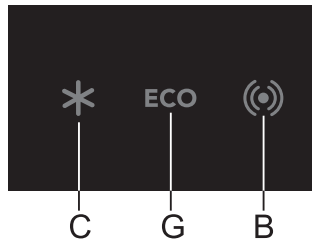
Power supply failure alarm

If the temperature in the appliance has reached a too high temperature level during a power outage, the high temperature alarm will be activated when power supply is restored. The highest possible temperature on display **D** (9°C) will flash.

APPLIANCE DESCRIPTION

ECO function

- Press the **G** key to activate the **ECO** function. When the function is activated, the appliance will operate with optimum settings, and these settings will be indicated on display **E**.
- **ECO** function does not have a time limit and it will remain active until it is deactivated.



Child safety lock

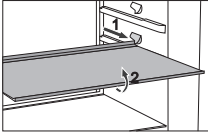
- Use this function to prevent any inadvertent changes to appliance settings.
- To activate, press and hold the **B** key (for 3 seconds); **L** will appear on display **E**.
- This will lock all keys except **B**. To deactivate the safety lock, press the **B** key again and hold it for 3 seconds.



APPLIANCE DESCRIPTION

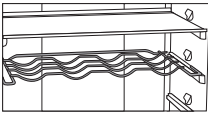
Appliance interior equipment

Shelf



- For easier access to food and clarity, the shelves can be partly pulled out.
- The shelves may be adjusted to suit your preferences using the guides in the refrigerator interior. To remove a shelf from the refrigerator, pull it out to the point where it is stopped by the guide. Then, lift it slightly at the front part and pull it all the way out.

Bottle rack

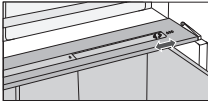


- The bottle rack is protected against being inadvertently pulled out. It can only be pulled out when it is empty.
- To pull it out, lift it slightly at the front and pull it towards you. Place the bottle rack so that the length of the bottles does not prevent proper closing of the door.
- The rack can take a maximum load of nine 0.75-litre bottles or 13 kilograms of total weight.
- Cans may also be placed on the bottle rack (lengthwise or crosswise).

APPLIANCE DESCRIPTION

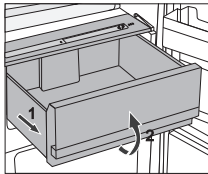
Vegetables drawer with manual humidity control

- The drawer at the bottom of the refrigerator is intended for storing fruit and vegetables. It provides humidity and prevents the food from drying out. The drawer has integrated humidity regulator which allows setting the humidity level.

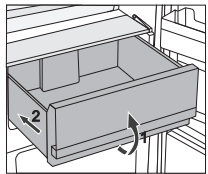


Slider position to the right: closed vents, higher humidity in the drawer
Slider position to the left: open vents, lower humidity in the drawer

If you observe droplets accumulating below the glass shelf, open the vents and wipe the shelf (see chapter 'Troubleshooting').



- Pulling out the drawer:
Pull out the drawer as far as it will go. Then, lift the front part and pull it out completely.

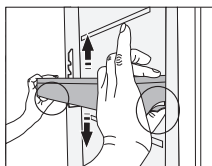


- To insert the drawer, follow the reverse order.

Interior side of the refrigerator door

The balconies mounted on the interior side of the refrigerator door are intended for storing cheese, butter, eggs, yoghurt and other smaller packages, tubes, cans, etc. There is a bottle balcony at the lower end of the door.

Adjustable door balconies



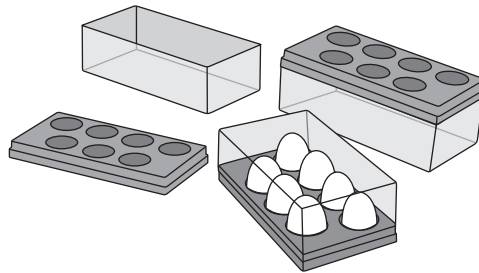
The height of door balconies can be adjusted to your preferences without having to take them out of the appliance. Squeeze the tabs on both sides and move the balcony up or down.

To remove a bin from the appliance, lift it as far as it will go and pull it out.

APPLIANCE DESCRIPTION

MultiBox storage bin

- The **MultiBox** offers a convenient way for storing food with a strong or pungent smell, e.g. ripened or blue-vein cheese, sausages, onions, butter, etc.
- The silicone lid provides an air-tight seal that prevents the food from drying out and the odour to spread throughout the refrigerator compartment.
- The silicone lid can also be used as an egg or ice tray.
- If the flexible lid is used as an egg tray, place it directly on the bottom of one of the door balconies and use the open lower part of the MultiBox to store food in smaller packages.
- If the flexible lid is used as an ice tray, fill it with water and place it in the freezer in a horizontal position.



Fan

- The fan placed under the refrigerator compartment ceiling will make sure the temperature is distributed more evenly, and reduce condensation (dew) on the storage surfaces. It is activated automatically when there is need for more intensive cooling.

APPLIANCE DESCRIPTION

AdaptTech

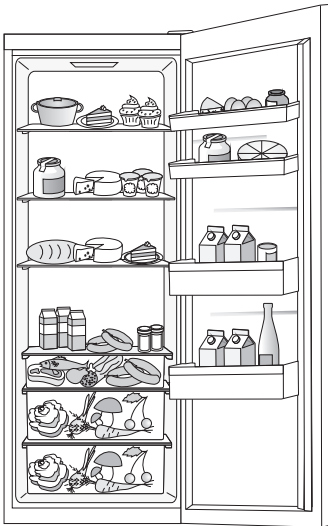
Innovative sensor technology allows adjusting the appliance operation to the user's habits or behaviour. The adaptive intelligent system monitors, analyzes, and records on a daily and weekly basis the use of the appliance and adapts the appliance operation to the perceived patterns. If the appliance is able to anticipate an increased frequency of door opening, the appliance will automatically lower the temperature before such time to prevent the increase of food temperature. The appliance will also anticipate adding larger amounts of food into the refrigerator or freezer and adapt by cooling or freezing more intensively.

APPLIANCE DESCRIPTION

Recommended distribution of food in the appliance

Sections in the refrigerator compartment:

- **Upper part:** canned food, bread, wine, pastry etc.
- **Middle part:** dairy products, ready-made meals, desserts, soft drinks, beer, cooked food, etc.
- **Upper drawer:** meat, meat produce, delicatessen;
- **Fruit and vegetable drawer:** fresh fruit, vegetables, salads, root vegetables, onions, garlic, cabbage, turnips etc.
- Store quickly perishable food **at the back of the shelf** where the temperature is the lowest.



Sections in the refrigerator door:

- **Upper/middle door balconies:** eggs, butter, cheese etc.
- **Lower door balconies:** beverages, cans, bottles



Do not store fruit (bananas, pineapples, papaya, citruses) and vegetables (zucchini, eggplant, cucumbers, bell peppers, tomatoes, and potatoes) sensitive to low temperatures in the refrigerator

STORING AND FREEZING FOOD

Storing food in the refrigerator

Important warnings regarding food storage



- Correct use of the appliance, appropriate packaging, maintaining the right temperature, and observing the food hygiene standards have a decisive impact on the quality of food storage.
- Observe the expiry dates for the food, indicated on the packaging.
- Food stored in the refrigerator should be kept in closed containers or in appropriate packaging to prevent it from emitting or receiving odours and humidity.
- Do not store inflammable, volatile, and explosive substances in the refrigerator.
- Bottles with high alcohol content should be tightly sealed and stored in an upright position.
- Some organic solutions, essential oils in lemon and orange peel, butter acid, etc. may damage the plastic surfaces in case of a prolonged contact, causing damage and premature ageing of these materials.
- Unpleasant odour warns of lacking cleanliness of the appliance or perished contents (see chapter 'Cleaning the appliance').
- If you are leaving home for a longer period of time, remove perishables from the refrigerator.

Avoid contamination of food

To avoid contamination of food, please respect the following instructions:

- Opening the door for long periods can cause a significant increase of the temperature in the compartments of the appliance.
- Regularly clean surfaces that can come in contact with food and accessible drainage systems.
- Store raw meat and fish in suitable containers in the refrigerator, so that it is not in contact with or drip onto other food.
- If the refrigerating appliance is left empty for long periods, switch off, defrost, clean, dry, and leave the door open to prevent mould developing within the appliance.

Defrosting the appliance

Automatic refrigerator defrosting

This refrigerator does not need defrosting because the ice on the back interior wall is thawed automatically.

Any accumulated ice will melt when the compressor unit is inactive. Drops will flow through an opening in the refrigerator rear wall into a tray fitted above the compressor, from where they will evaporate.

Make sure the opening in the back wall in the refrigerator interior is never blocked by food or any other object.

If an excessive layer of ice is formed on the rear wall of the refrigerator interior (3–5 mm), switch off the appliance and defrost the appliance manually.

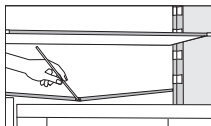
DEFROSTING AND CLEANING THE APPLIANCE

Cleaning the appliance

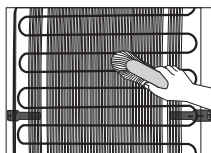


Before cleaning, unplug the appliance from the power mains – switch off the appliance (see chapter 'Operating the appliance') and unplug the power cord from the wall outlet.

- Use a soft cloth to clean all surfaces. Cleaners that contain abrasive substances, acids, or solvents are not suitable for cleaning as they may damage the surface.
- Clean the appliance exterior with water or a mild solution of suds.
- Lacquer-coated and aluminium surfaces may be cleaned with lukewarm water to which you have added a mild detergent. Use of cleaners with low alcohol content is allowed (e.g. window cleaners). Do not use cleaners containing alcohol for cleaning plastic materials.
- Appliance interior can be cleaned with lukewarm water to which you can add some vinegar.
- Do not wash the parts of the appliance interior equipment in a dishwasher as they may be damaged.



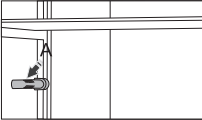
- A gutter and an opening for discharging the water from thawed frost deposits are located underneath the cooling panel that cools the refrigerator interior. The gutter and the opening may not be clogged. Inspect them often and clean if necessary (e.g. with a plastic straw).
- Frost or ice build-up, 3–5 mm thick, will increase power consumption.



- The **condenser** unit mounted on the (exterior) back wall should always be kept clean, free of dust or deposits resulting from kitchen smoke or fumes. Occasionally clean the dust using a soft, non-metal brush or a vacuum cleaner.
- After cleaning, switch the appliance back on and insert the food.

OTHER

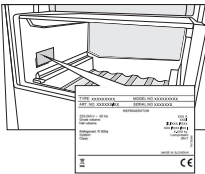
Troubleshooting

Problem	Cause or remedy:
Appliance is connected to the power mains but it does not work.	<ul style="list-style-type: none"> • Make sure there is voltage in the power outlet and that the appliance is switched on.
Cooling system operates continuously for a long period of time: 	<ul style="list-style-type: none"> • Too high ambient temperature. • Door opened too frequently or too long. • Door not closed correctly (possible impurities on the seal, misaligned door, damaged seal etc.). • Too much fresh food inserted at once. • Sensor in the refrigerator (A) blocked by fresh food. Make sure the air can circulate around the sensor (only with some models). • Insufficient compressor and condenser unit cooling. Check for sufficient air circulation behind the appliance and clean the condenser unit.
Excessive build-up of ice on the back wall of refrigerator interior can be a result of the following:	<ul style="list-style-type: none"> • Door opened too frequently or too long. • Warm food placed in the refrigerator. • Food or containers in contact with the back interior wall of the refrigerator. • Poor door sealing. • If the seal is dirty or damaged, clean or replace it.
Condensate (dew) on the shelf above the drawers:	<ul style="list-style-type: none"> • This is transient phenomenon which cannot be entirely avoided in periods of high environment temperature and humidity. It subsides when temperature and humidity are normalized. We recommend cleaning the drawers more frequently and wiping the droplets occasionally. • Open the humidity control slider. • Put food in bags or other packaging with a good seal.
Water is dripping/ leaking from the refrigerator:	<ul style="list-style-type: none"> • Clogged water discharge opening or water dripping past the water gutter. • Clean the blocked opening, e.g. using a plastic straw. • If a thick layer of ice builds up, defrost the appliance manually (see 'Defrosting the appliance').
Temperature display flashes:	<ul style="list-style-type: none"> • Door opened too frequently or too long. • Door not closed correctly (possible impurities on the seal, misaligned door, damaged seal etc.). • An extended power failure. • Too much fresh food inserted at once.

OTHER

Problem	Cause or remedy:
Door is difficult to open:	<ul style="list-style-type: none">• If you are trying to open the appliance door after just having closed it, this could be difficult to do. As you open the door, some cool air escapes from the appliance and it is replaced by warm air from the environment. When this air is cooled, negative pressure is generated which results in problems as you try to open the door. After a few minutes, the condition is normalized and the door can be easily opened again.
LED lighting does not work:	<ul style="list-style-type: none">• If LED lighting does not work, call a service technician.• Do not attempt a repair of the LED lighting yourself, as there is danger of contact with high voltage!

If the above tips do not resolve your problem, call the nearest authorized service centre and state the type, model, and serial number indicated on the appliance rating plate or label located in the appliance interior.



The rating plate can be found in the appliance interior (see figure).

Information about appliance noise

Cooling in refrigerator is made possible by a cooling system that also includes a compressor (and a fan with some appliances), which generates some noise. The level of noise depends on installation, proper use, and age of the appliance.

- After connecting the appliance to the power mains, compressor operation, or the sound of flowing liquid, may be somewhat louder. This is not a sign of malfunction and it will not affect the useful life of the appliance. In time, appliance operation and this noise will become quieter.
- Sometimes, unusual or loud noises may appear during appliance operation; these are mostly the result of improper installation:
 - ▷ The appliance must stand level and stable on a solid base.
 - ▷ The appliance may not be in contact with a wall or adjacent furniture.
 - ▷ Make sure the interior equipment sits firmly in its place and that the noise is not caused by rattling cans, bottles or other containers placed next to each other.
- Due to the higher workload on the cooling system when the door is opened more frequently or for a longer time, when a large amount of fresh food is placed inside or when the boost function is activated, the appliance can temporarily generate more noise.

WE RESERVE THE RIGHT TO CHANGES THAT DO NOT AFFECT THE APPLIANCE
FUNCTIONALITY.

The instructions for use can also be found on our website:

www.atag.nl

www.atag.be

ATAG



780347

en (10-19)