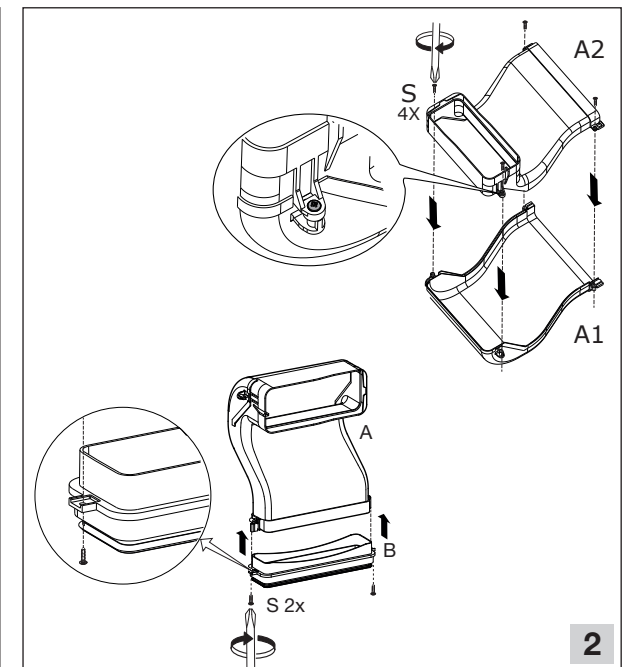
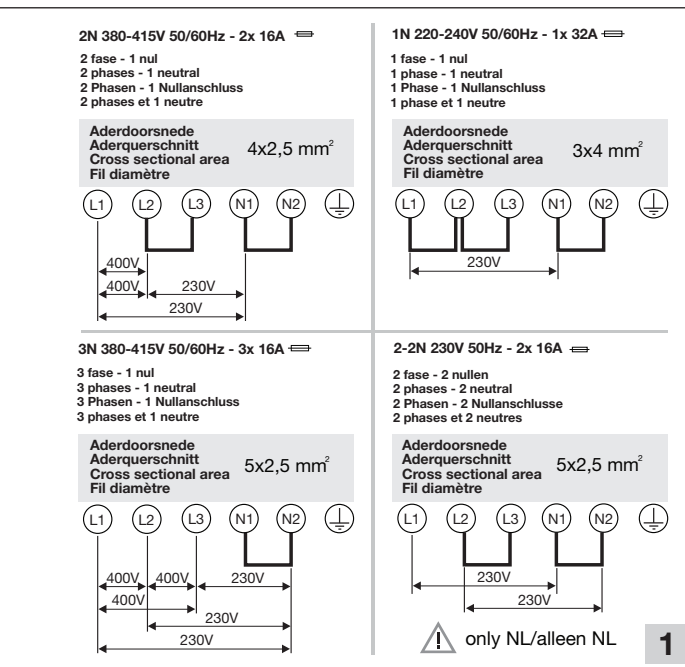
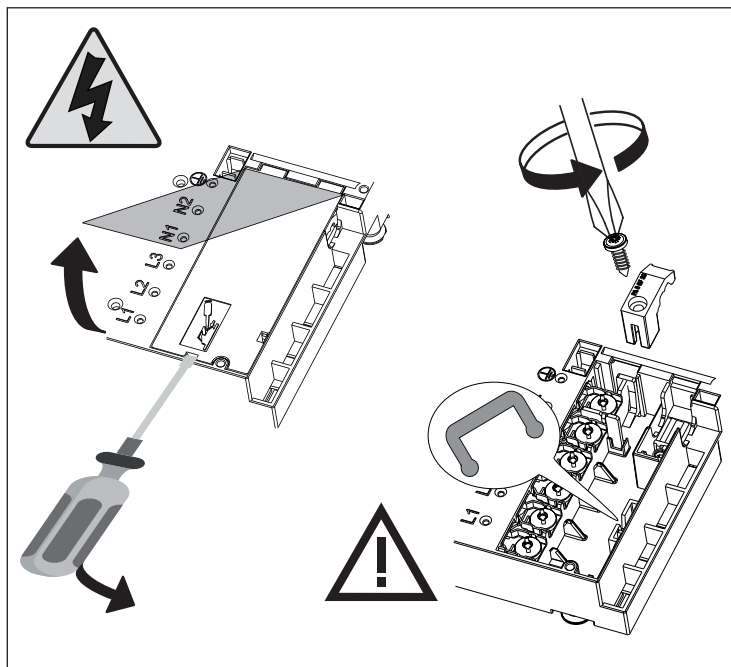
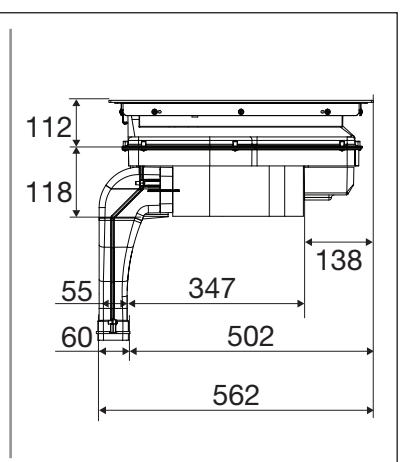
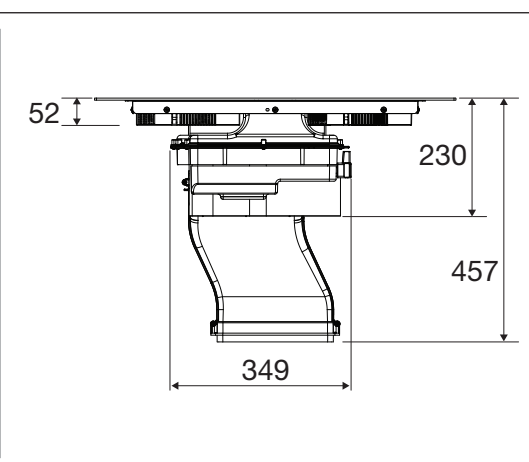
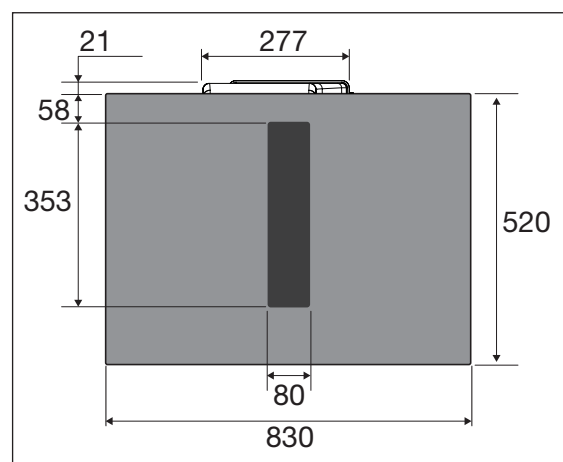
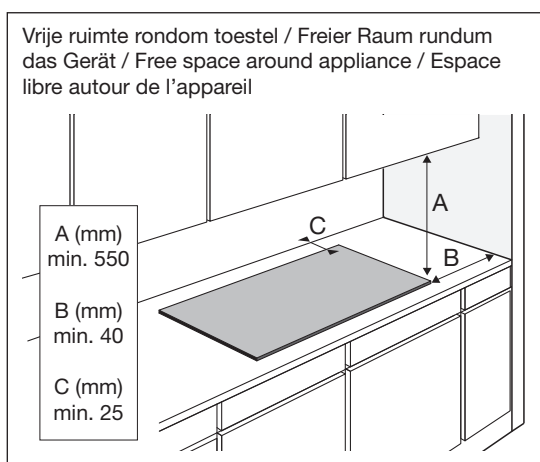
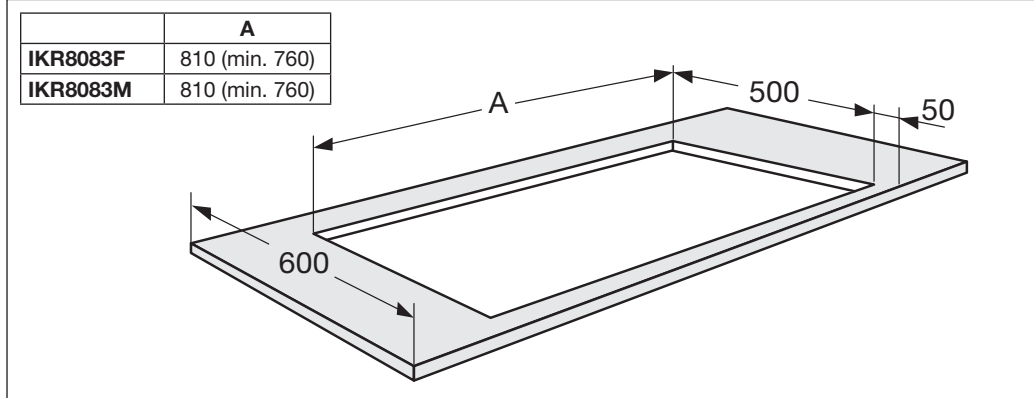
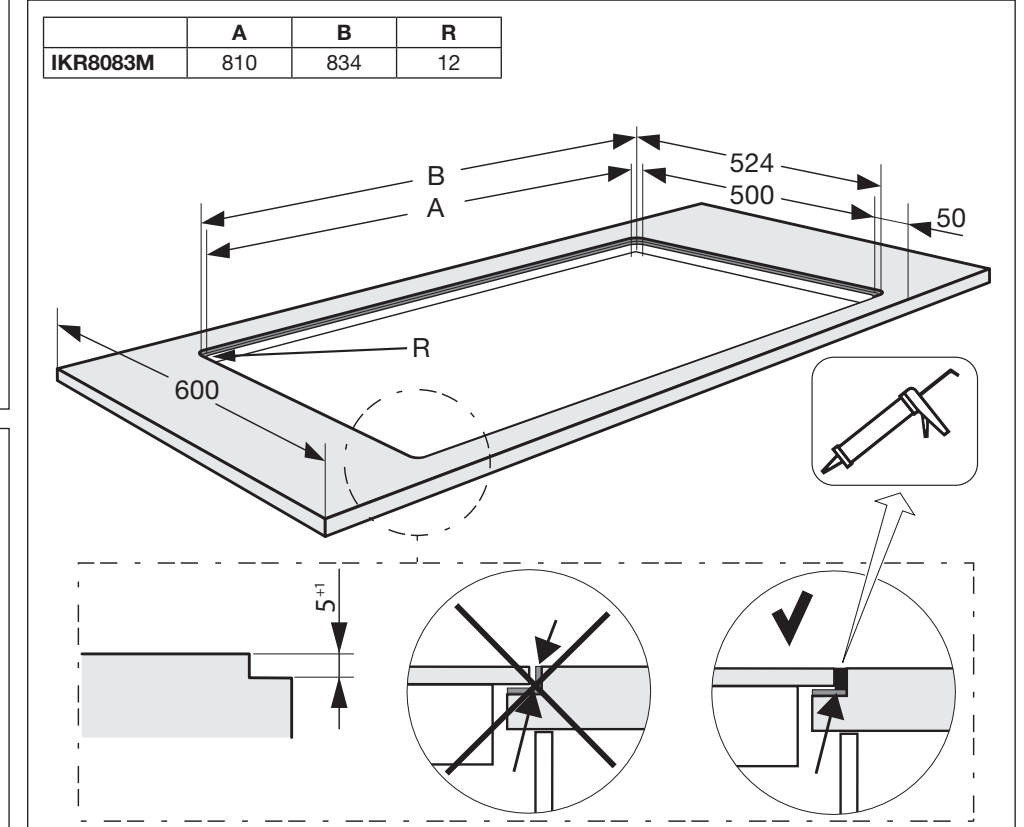
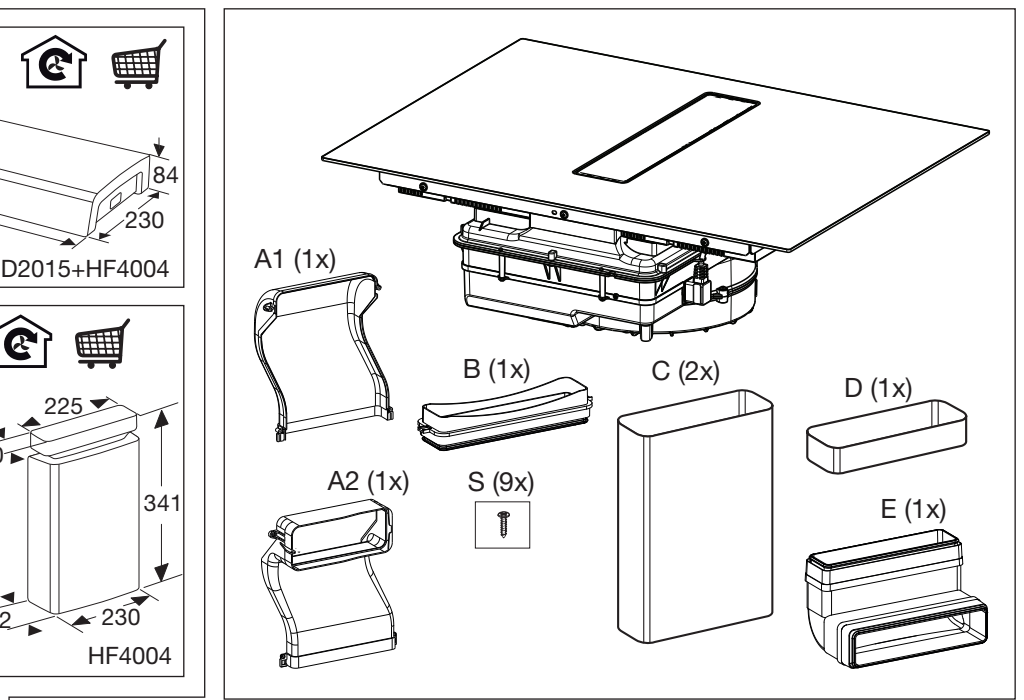
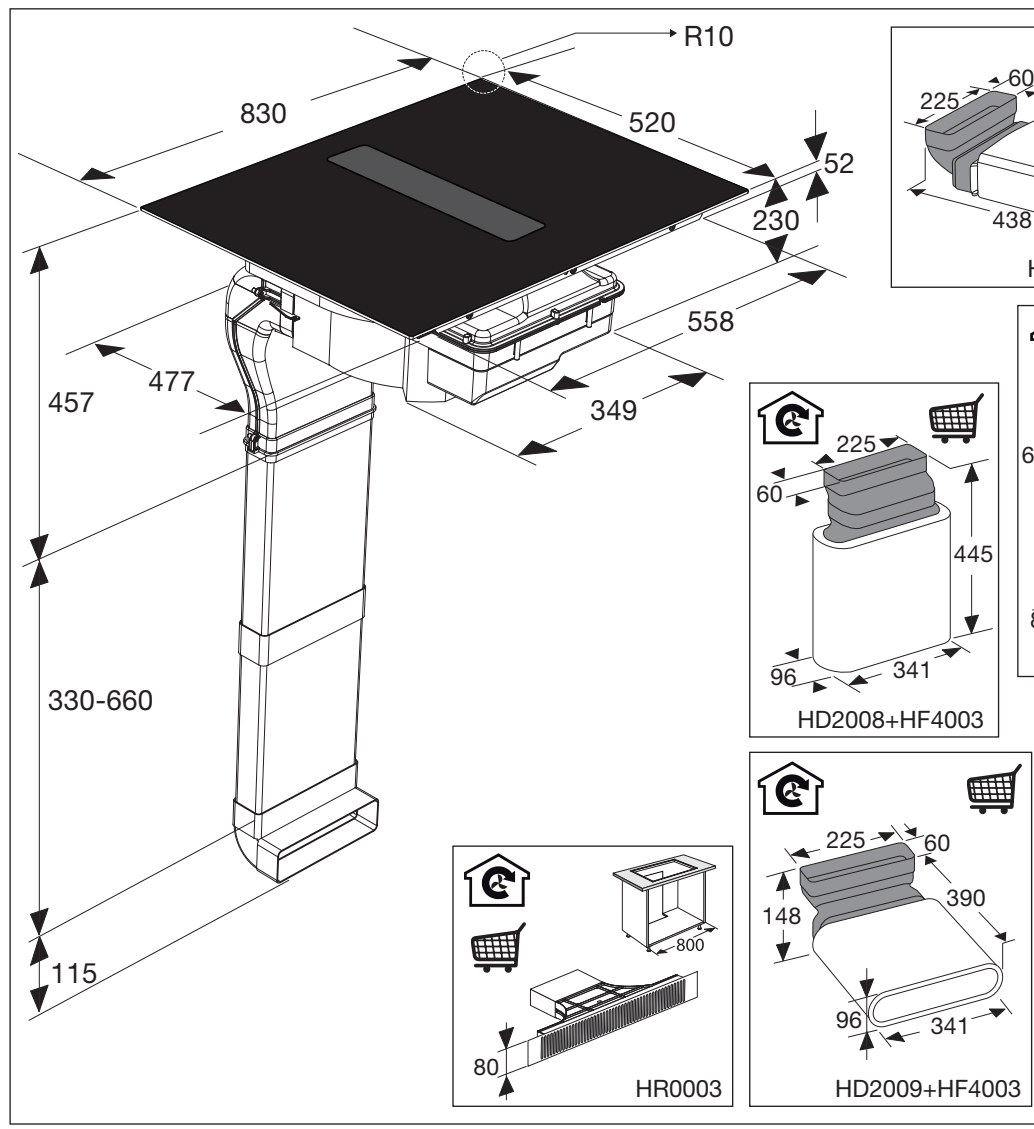
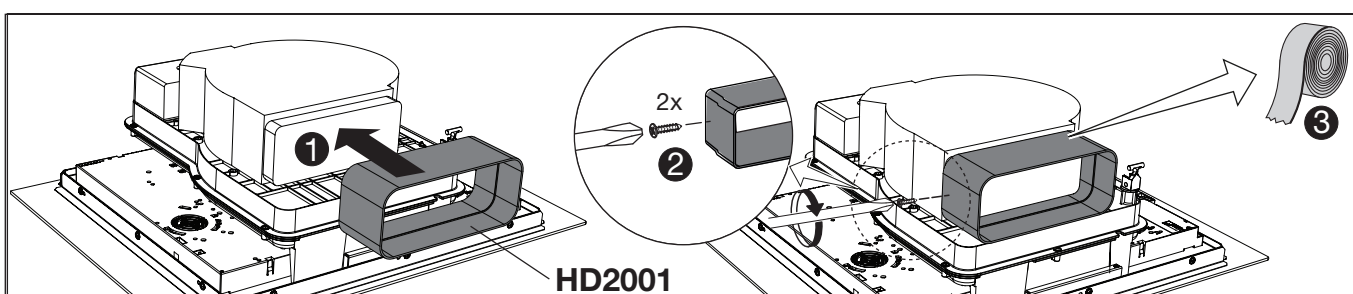
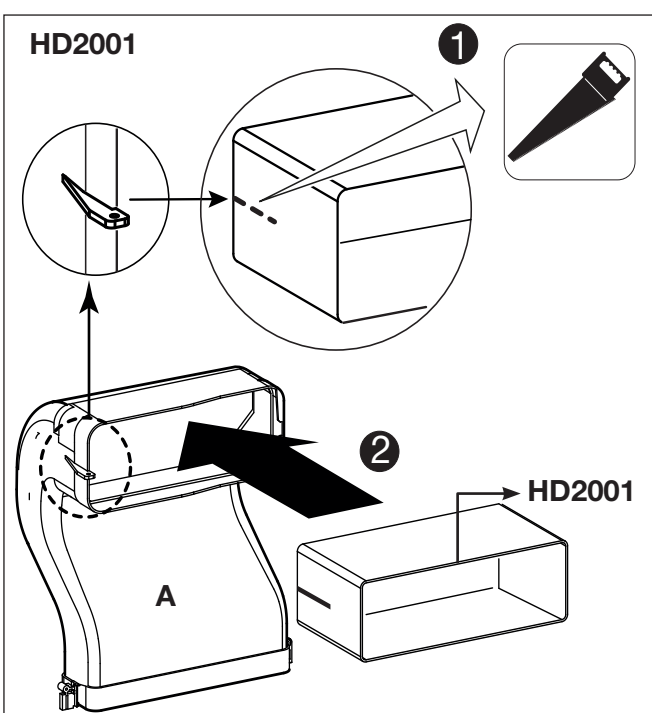
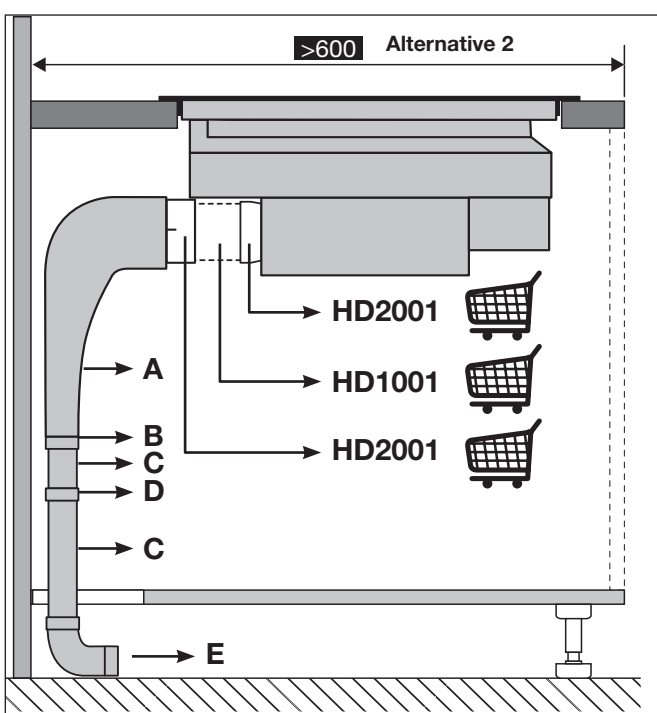
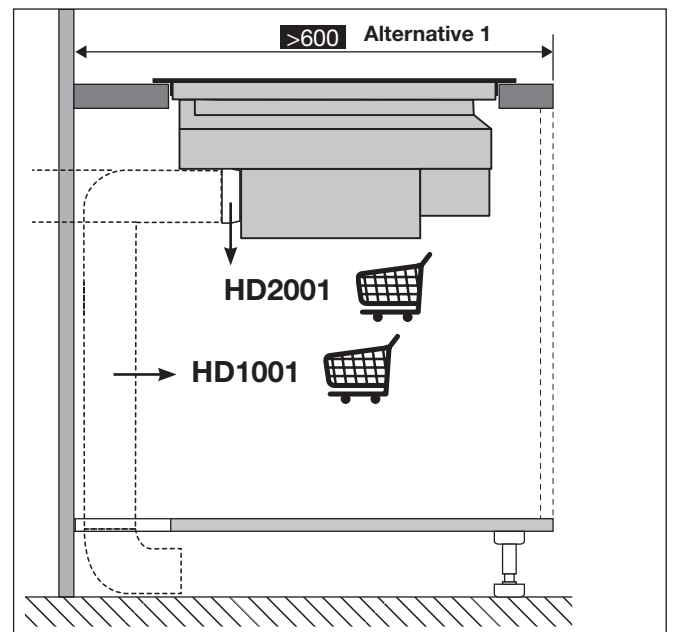
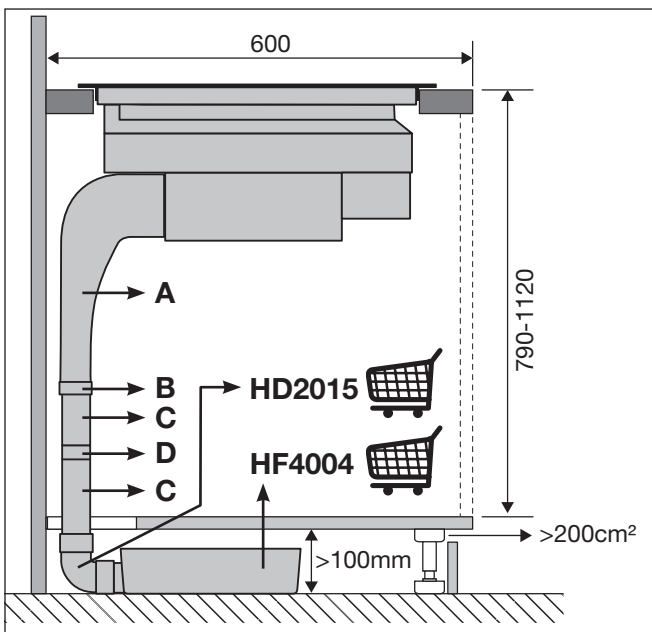
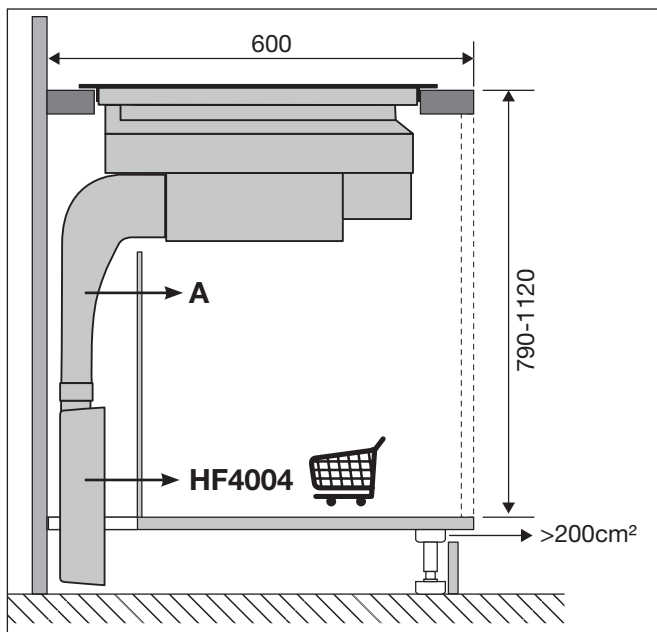
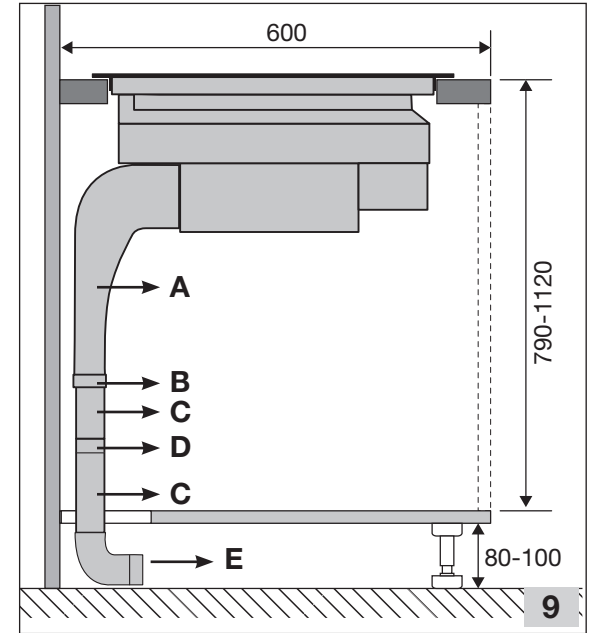
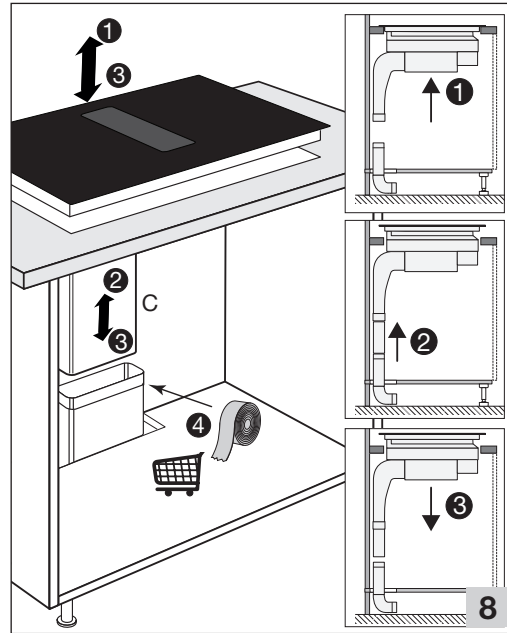
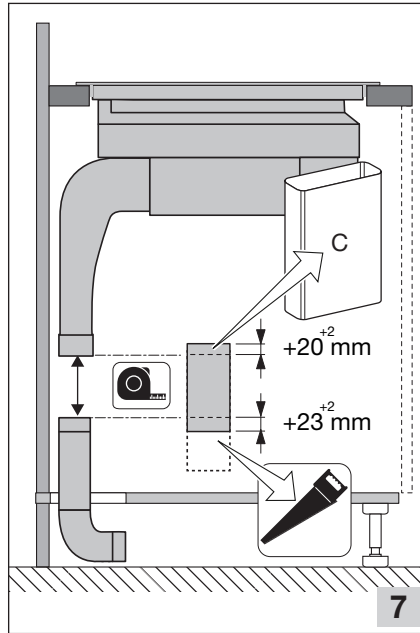
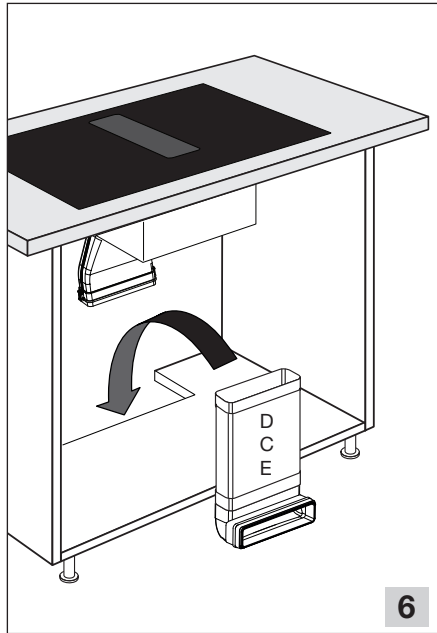
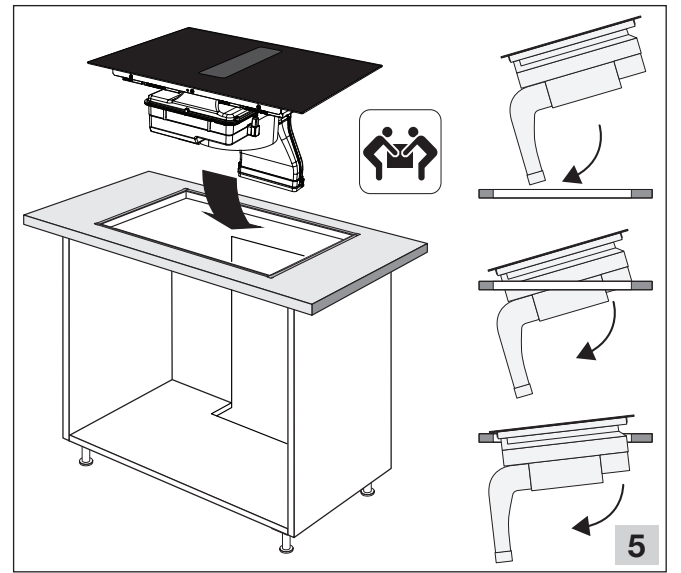
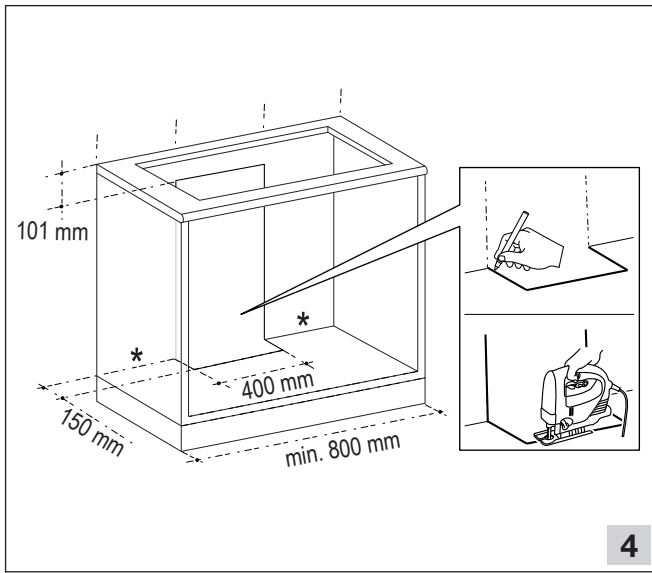
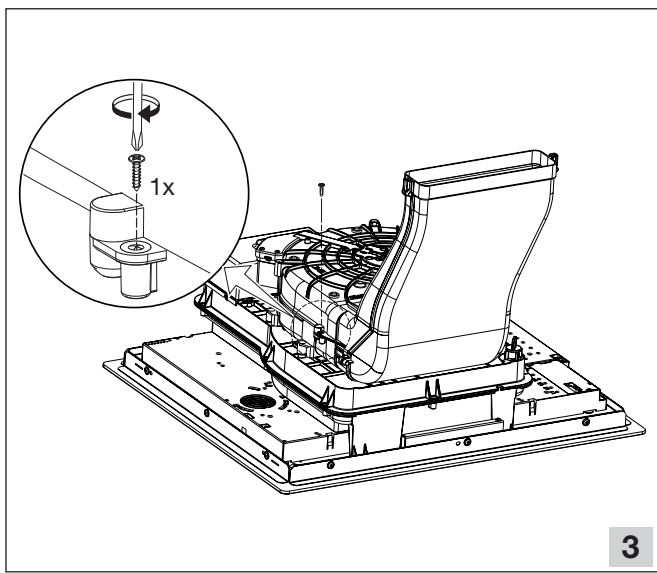


Hob: 2-2N: 220-240V - 50/60 Hz - 7.4 kW
 2N: 380-415V - 50/60 Hz - 7.4 kW
 1N: 220-240V - 50/60 Hz - 7.4 kW
 3N: 220-240V - 50/60 Hz - 7.4 kW

Recirculation
 HR0003
 HF4003+HD2008/HD2009
 HF4004/HD2015





901475