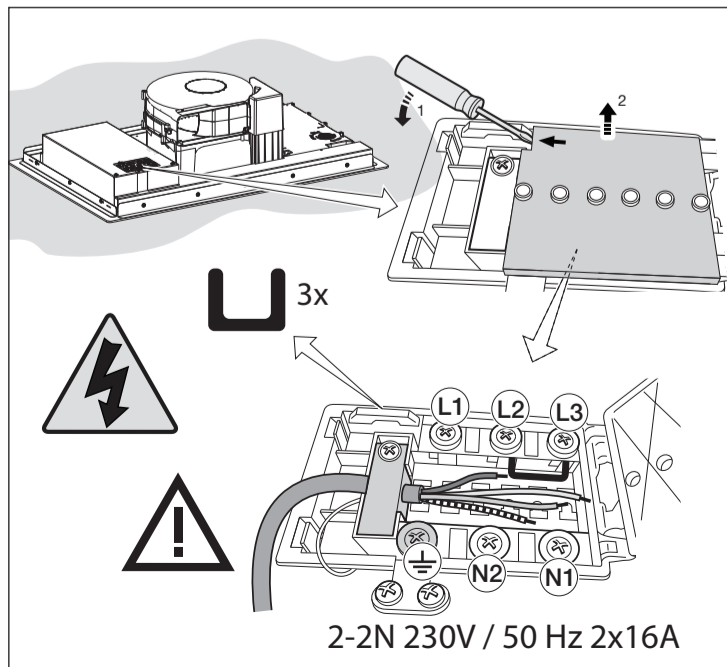
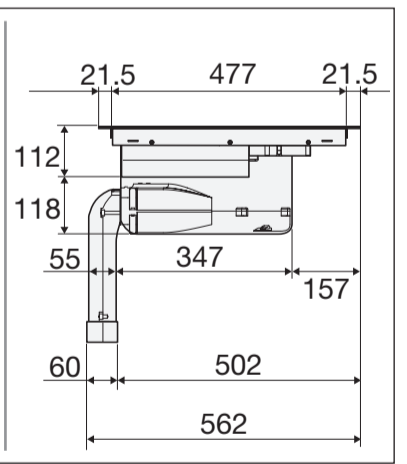
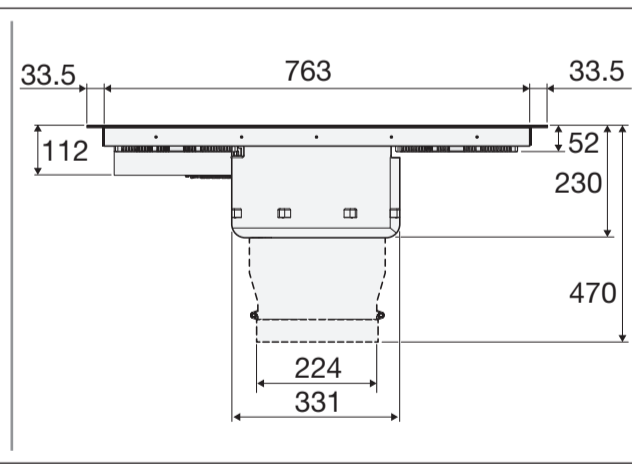
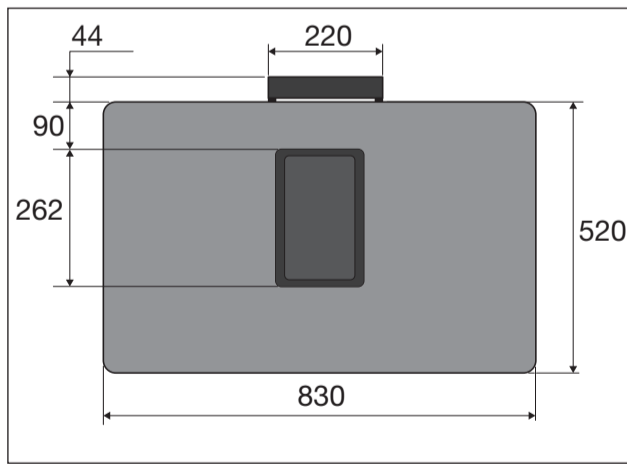
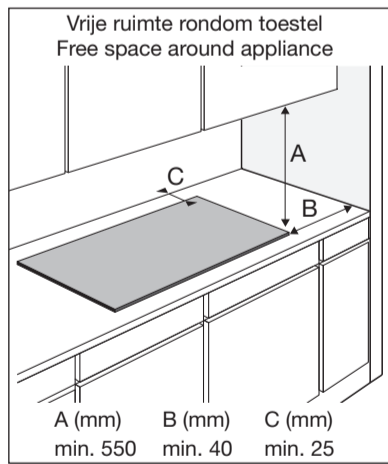
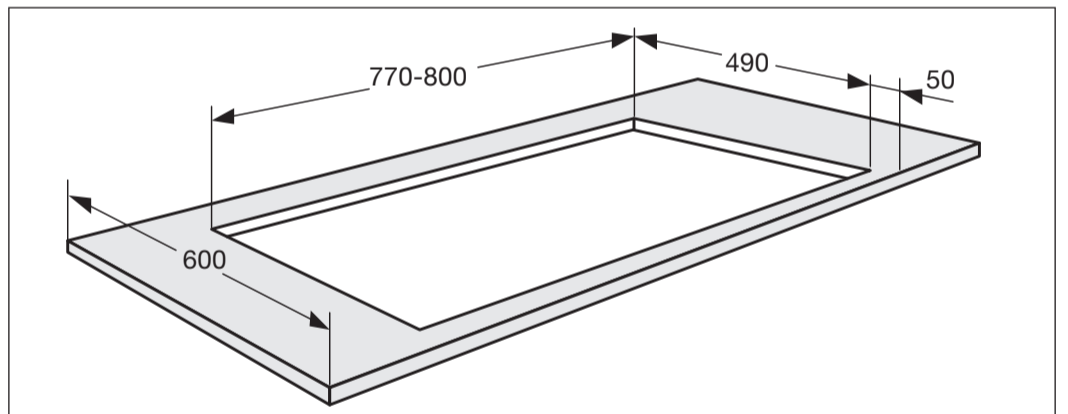
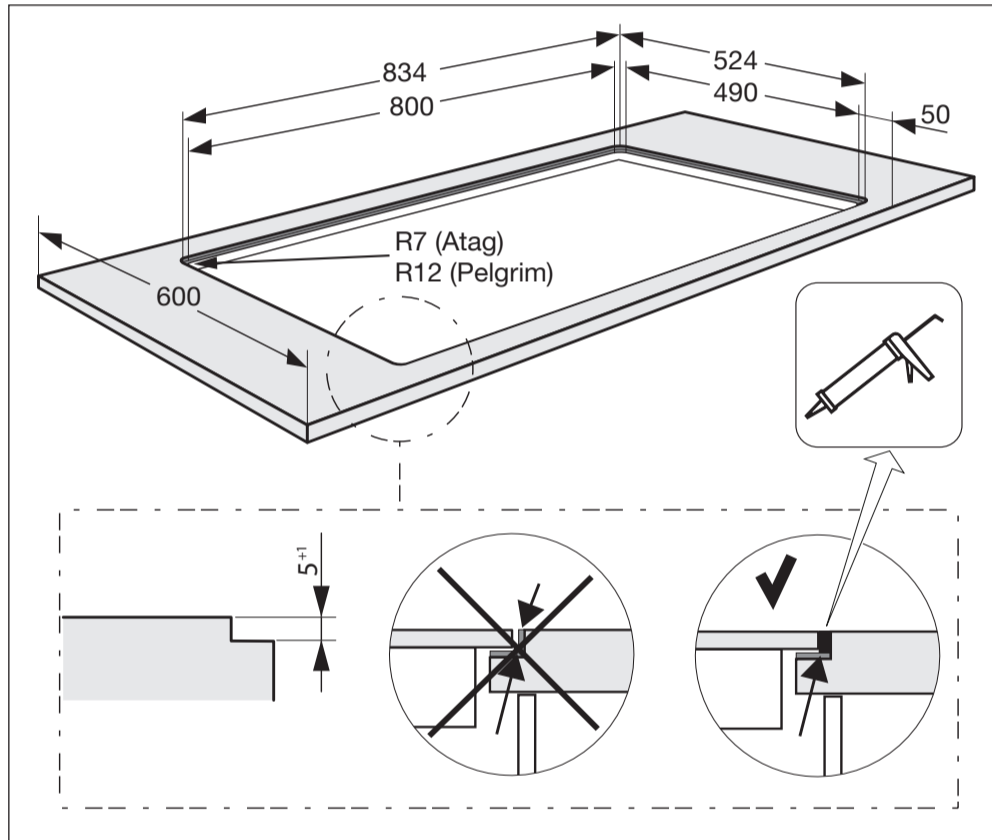
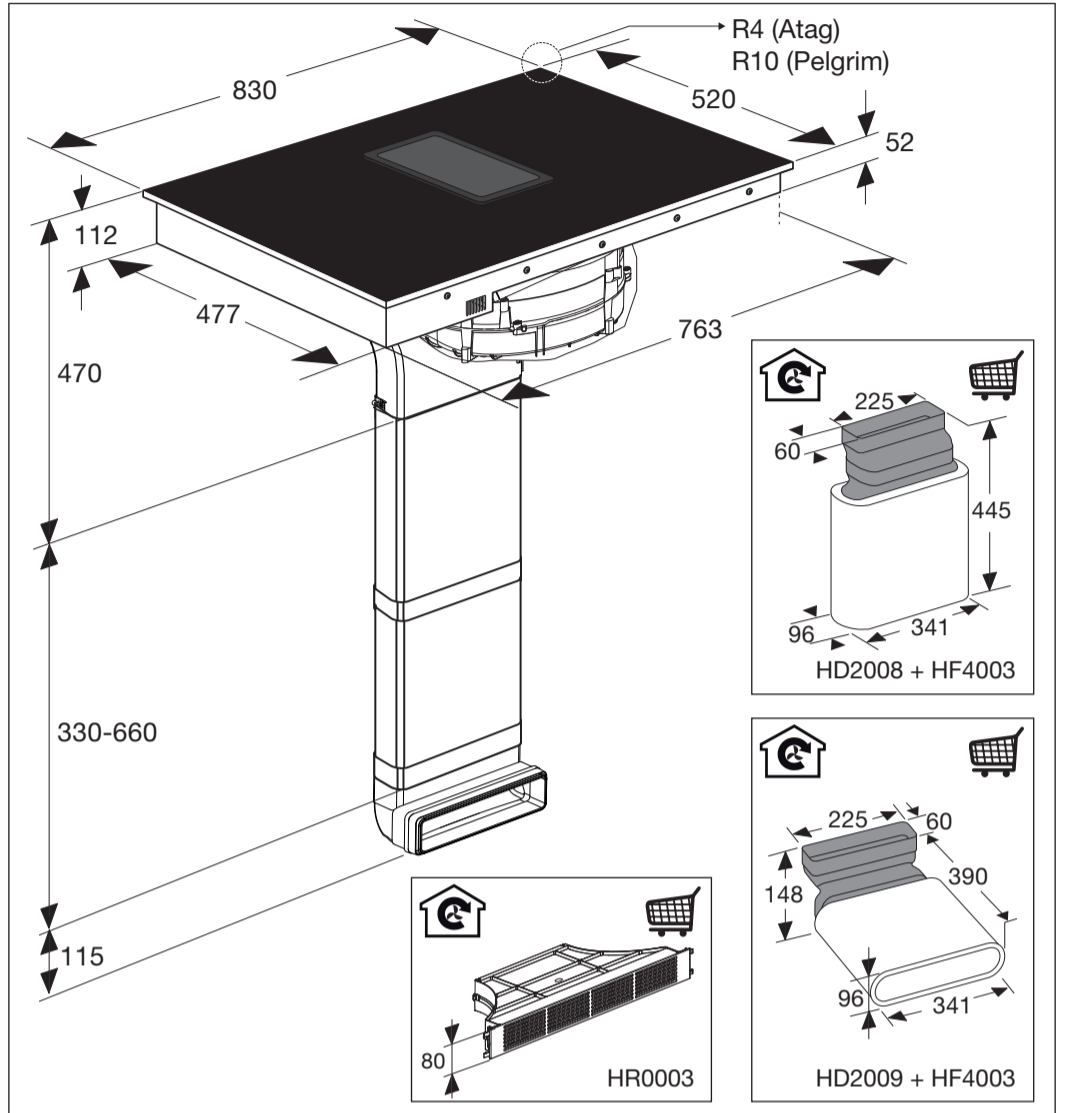
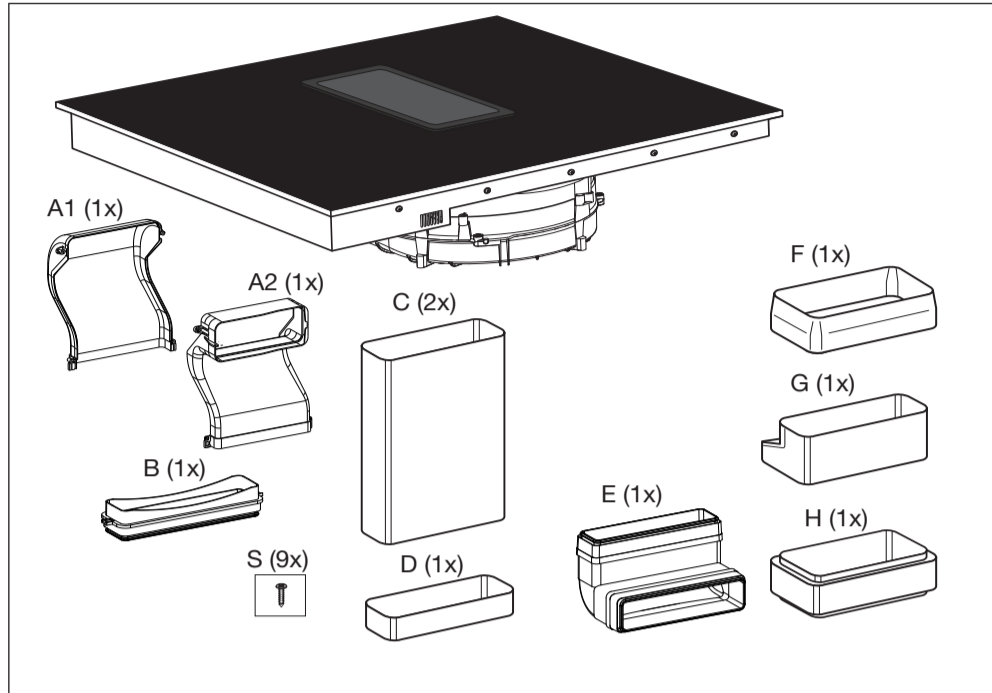
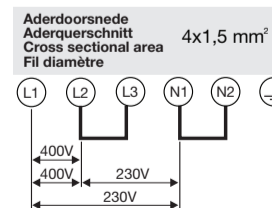


Hob: 2-2N: 220-240V - 50/60 Hz - 7.6 kW  
 2N/3N: 380-415V - 50/60 Hz - 7.6 kW  
 1N: 220-240V - 50/60 Hz - 7.6 kW

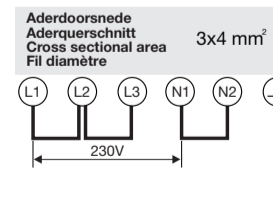
**Recirculation**  
 HR0003  
 HF4003  
 HD2008  
 HD2009



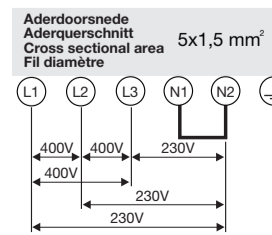
2N 380-415V 50/60Hz - 2x 16A ≡  
 2 fase - 1 nul  
 3 phases - 1 neutral  
 2 Phasen - 1 Nullanschluss  
 2 phases et 1 neutre



1N 220-240V 50/60Hz - 1x 32A ≡  
 1 fase - 1 nul  
 1 phase - 1 neutral  
 1 Phase - 1 Nullanschluss  
 1 phase et 1 neutre



3N 380-415V 50/60Hz - 3x 16A ≡  
 3 fase - 1 nul  
 3 phases - 1 neutral  
 3 Phasen - 1 Nullanschluss  
 3 phases et un neutre



2-2N 230V 50Hz - 2x 16A ≡  
 2 fase - 2 nullen  
 2 phases - 2 neutral  
 2 Phasen - 2 Nullanschlüsse  
 2 phases et 2 neutres

